

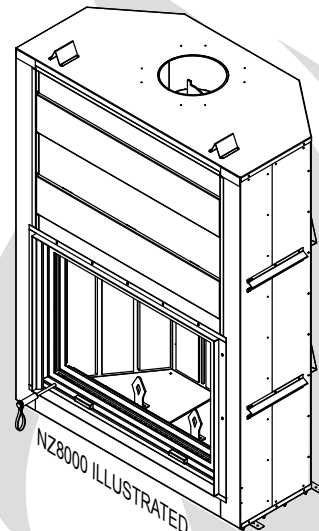
**INSTALLER: LEAVE THIS MANUAL WITH THE APPLIANCE.**  
**CONSUMER: RETAIN THIS MANUAL FOR FUTURE REFERENCE.**  
**NEVER LEAVE CHILDREN OR OTHER AT RISK INDIVIDUALS ALONE WITH THE APPLIANCE.**  
 This wood appliance needs periodic inspection and repair. It is against United States federal regulations to operate this wood appliance in a manner inconsistent with the operating instructions in this manual.



# INSTALLATION AND OPERATING INSTRUCTIONS

THESE APPLIANCES HAVE BEEN SAFETY TESTED AND LISTED BY INTERTEK TESTING SERVICES LTD. AS PER THE STANDARDS: ULC S610, UL 127 U.S.  
 \*ONLY THE NZ8000 IS AN EPA LOW MASS WOOD-BURNING FIREPLACE VOLUNTARY PROGRAM PHASE 2 EMISSION LEVEL QUALIFIED MODEL.

## NZ7000 / NZ8000\* LOW MASS FIREPLACE



**FOR INDOOR USE ONLY!**

### SAFETY INFORMATION

## ! WARNING

If the information in these instructions are not followed exactly, a fire or explosion may result causing property damage, personal injury or death.

Please read entire manual before you install and use your appliance.

This heater has not been tested with an unvented gas log set. To reduce risk of fire or injury, do not install an unvented gas log set into the heater.

- This heater can be very hot when burning.
- Combustible materials such as firewood, wet clothing, etc. placed too close can catch fire.
- Children and pets must be kept from touching the heater when it is hot.
- The chimney must be sound and free of cracks. Before installing this appliance, contact the local building or fire authority and follow their guidelines.
- Operate only with the doors tightly closed.
- Burn wood behind the log retainer directly on the firebricks.
- Do not use an elevated grate or otherwise raise the fire.
- This appliance is designed to burn natural wood only. Higher efficiencies and lower emissions generally result when burning air dried seasoned hardwoods, as compared to softwoods or to green or freshly cut hardwoods.
- Do not start a fire with chemicals or fluids such as gasoline, engine oil, etc.
- Do not burn trash or garbage, lawn clippings / waste, rubber, waste petroleum products, paints or paint thinners / solvents, plastic, materials containing asbestos, construction debris, railroad ties or treated wood, manure or animal remains, salt water driftwood or salted materials, unseasoned wood, coal, charcoal, coloured paper, cardboard, plywood or particleboard. Burning these materials may result in release of toxic fumes or render the appliance ineffective and cause smoke.
- Do not let the appliance become hot enough for any part to glow red.

## ! WARNING

**HOT GLASS WILL CAUSE  
BURNS.**

**DO NOT TOUCH GLASS UNTIL  
COOLED.**

**NEVER ALLOW CHILDREN TO  
TOUCH GLASS.**



APPLY SERIAL NUMBER LABEL FROM CARTON



Wolf Steel Ltd., 24 Napoleon Rd., Barrie, ON, L4M 0G8 Canada /  
103 Miller Drive, Crittenden, Kentucky, USA, 41030

Phone 1 (866) 820-8686 • www.napoleonfireplaces.com • hearth@napoleonproducts.com

\$10.00

# TABLE OF CONTENTS



**NOTE:** The camera icon indicates video tutorials are available as additional reference, visit <http://mynapoleon.napoleonproducts.com/download/index/44/1>

|             |  |           |
|-------------|--|-----------|
| <b>1.0</b>  | <b>INSTALLATION OVERVIEW</b>                                     | <b>3</b>  |
| <b>2.0</b>  | <b>GENERAL INFORMATION</b>                                       | <b>4</b>  |
| 2.1         | DIMENSIONS   | 5         |
| 2.2         | GENERAL INSTRUCTIONS   | 6         |
| 2.3         | FEATURES   | 7         |
| 2.4         | THIS APPLIANCE   | 7         |
| 2.5         | PACKING LIST   | 7         |
| 2.6         | RATING PLATE INFORMATION   | 8         |
| <b>3.0</b>  | <b>INSTALLATION PLANNING</b>                                     | <b>9</b>  |
| 3.1         | LOCATION AND CLEARANCES  | 9         |
| 3.1.1       | VENTILATION OPENINGS   | 10        |
| 3.2         | OUTSIDE COMBUSTION AIR   | 10        |
| 3.2.1       | OUTSIDE COMBUSTION AIR OPERATION                                 | 11        |
| 3.3         | FLOOR PROTECTION   | 12        |
| 3.3.1       | EMBER STRIP AND HEARTH EXTENSIONS                                | 12        |
| 3.3.2       | HEARTH EXTENSION   | 13        |
| 3.3.3       | HEARTH EXAMPLES  | 14        |
| 3.3.4       | FLUE DAMPER OPERATION  | 15        |
| <b>4.0</b>  | <b>INSTALLATION</b>  | <b>16</b> |
| 4.1         | CHIMNEY  | 16        |
| 4.2         | TYPICAL CHIMNEY INSTALLATION                                     | 17        |
| 4.3         | ADDING CHIMNEY SECTIONS  | 18        |
| 4.4         | OFFSET CHIMNEY INSTALLATION                                      | 19        |
| 4.5         | INSTALLING FLASHING AND STORM COLLAR                             | 20        |
| 4.6         | AIR COOLED CHIMNEY INSTALLATION                                  | 20        |
| <b>5.0</b>  | <b>FRAMING</b>   | <b>21</b> |
| 5.1         | FINISHING MATERIAL   | 22        |
| 5.2         | MINIMUM CLEARANCE TO COMBUSTIBLES                                | 23        |
| 5.3         | MINIMUM ENCLOSURE CLEARANCES                                     | 23        |
| 5.4         | MINIMUM MANTEL CLEARANCES  | 24        |
| <b>6.0</b>  | <b>FINISHING</b>   | <b>25</b> |
| 6.1         | DOOR & SCREEN OPERATION  | 25        |
| 6.2         | DOOR LEVEL ADJUSTMENT  | 26        |
| 6.3         | DOOR GLASS REPLACEMENT   | 28        |
| 6.4         | SCREEN REPLACEMENT   | 29        |
| 6.5         | BALANCE WEIGHT ADJUSTMENT  | 30        |
| 6.6         | FIREBRICK INSTALLATION AND DAMPER OPERATION                      | 31        |
| 6.6.1       | FIREBRICK INSTALLATION   | 31        |
| 6.7         | SMOKE CHAMBER INSULATION PANEL REPLACEMENT                       | 32        |
| <b>7.0</b>  | <b>SELECTING WOOD</b>  | <b>33</b> |
| <b>8.0</b>  | <b>OPERATION</b>   | <b>34</b> |
| 8.1         | OPERATING SOUNDS AND SMELLS                                      | 34        |
| 8.2         | STARTING A FIRE  | 35        |
| 8.3         | FIRE EXTINGUISHERS / SMOKE DETECTORS & CARBON MONOXIDE DETECTORS | 35        |
| 8.4         | STARTING A FIRE (DAMPER OPEN)                                    | 36        |
| 8.5         | SMOKING  | 37        |
| 8.6         | RELOADING THE APPLIANCE  | 37        |
| <b>9.0</b>  | <b>MAINTENANCE</b>   | <b>38</b> |
| 9.1         | ASH REMOVAL PROCEDURES   | 38        |
| 9.2         | CREOSOTE FORMATION AND REMOVAL                                   | 38        |
| 9.3         | RUN-AWAY OR CHIMNEY FIRE   | 38        |
| 9.4         | CHIMNEY CLEANING   | 39        |
| 9.5         | CARE OF GLASS  | 39        |
| <b>10.0</b> | <b>REPLACEMENTS</b>  | <b>40</b> |
| 10.1        | NZ7000 OVERVIEW  | 41        |
| 10.2        | NZ7000 ACCESSORIES   | 42        |
| 10.3        | NZ8000 OVERVIEW  | 43        |
| 10.4        | NZ8000 ACCESSORIES   | 44        |
| <b>11.0</b> | <b>TROUBLESHOOTING</b>   | <b>45</b> |
| <b>12.0</b> | <b>WARRANTY</b>  | <b>46</b> |
| <b>13.0</b> | <b>SERVICE HISTORY</b>   | <b>47</b> |

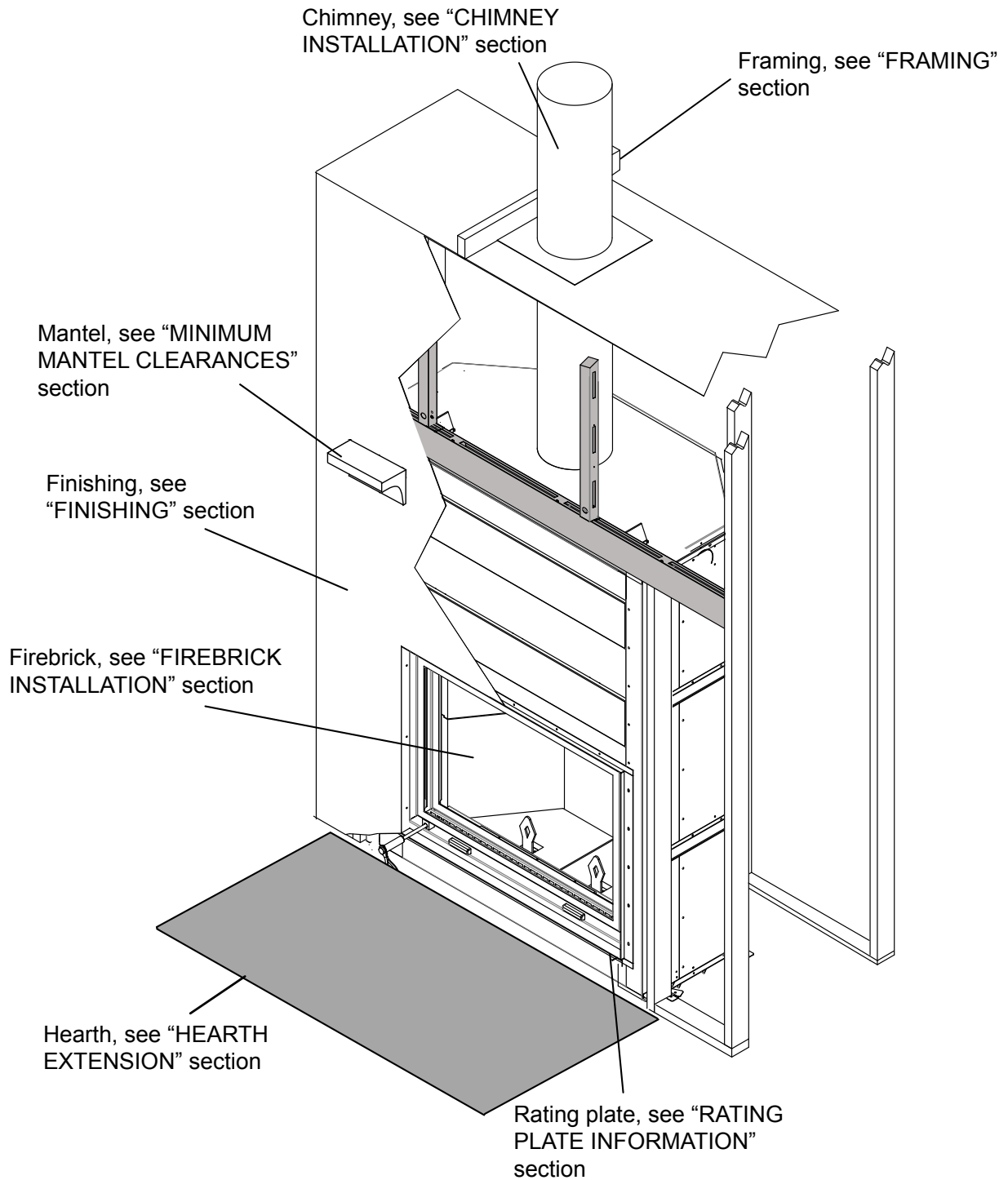
**NOTE:** Changes, other than editorial, are denoted by a vertical line in the margin.

## 1.0 INSTALLATION OVERVIEW

### ! WARNING

THIS APPLIANCE AND ITS COMPONENTS ARE DESIGNED TO BE INSTALLED AND OPERATED AS A SYSTEM. ANY ALTERATION TO OR SUBSTITUTION FOR ITEMS IN THIS SYSTEM, UNLESS ALLOWED BY THESE INSTALLATION INSTRUCTIONS, WILL VOID THE ETL LISTING AND MAY VOID THE PRODUCT WARRANTY. IT MAY ALSO CREATE A HAZARDOUS INSTALLATION. READ THROUGH THESE INSTRUCTIONS THOROUGHLY BEFORE STARTING YOUR INSTALLATION AND FOLLOW THEM CAREFULLY THROUGHOUT YOUR PROJECT.

EN

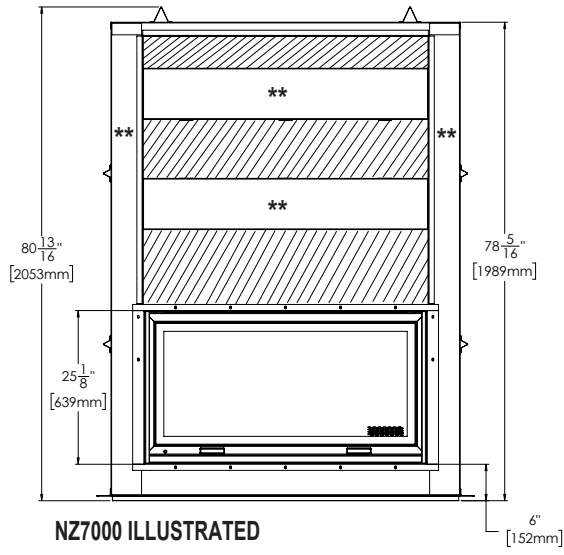


## ! WARNING

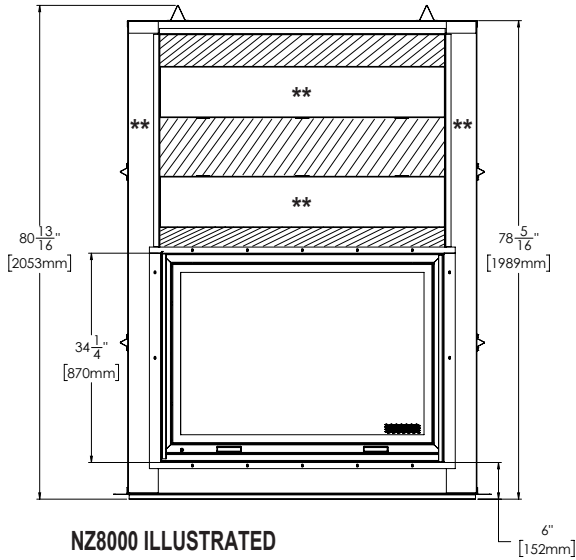
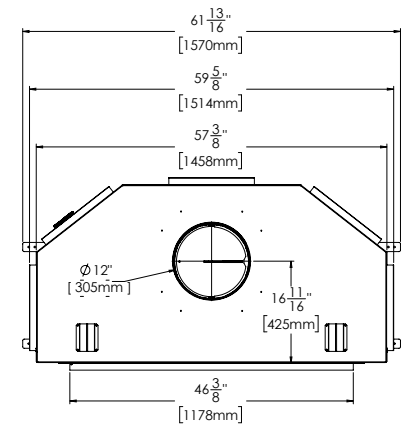
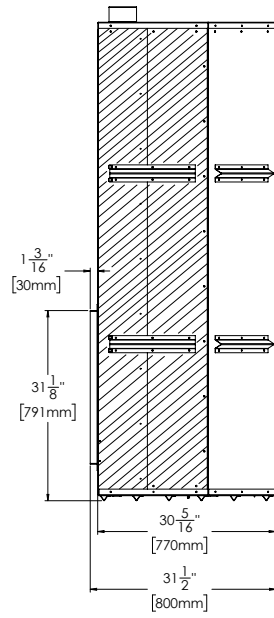
- **THIS APPLIANCE IS HOT WHEN OPERATED AND CAN CAUSE SEVERE BURNS IF CONTACTED.**
  - **ANY CHANGES OR ALTERATIONS TO THIS APPLIANCE OR ITS CONTROLS CAN BE DANGEROUS AND IS PROHIBITED.**
  - Do not operate appliance before reading and understanding operating instructions. Failure to operate appliance according to operating instructions could cause fire or injury.
  - Before installing this appliance, contact the local building or fire authority and follow their guidelines.
  - This appliance must be installed by a qualified installer. Never try to repair or replace any part of the appliance unless instructions are given in this manual. All other work should be done by a trained technician.
  - Risk of burns. The appliance should be turned off and cooled before servicing.
  - Do not operate without fully assembling all components. Do not install damaged, incomplete or substitute components.
  - Do not let the appliance become hot enough for any part to glow red.
  - Risk of cuts and abrasions. Wear protective gloves and safety glasses during installation. Sheet metal edges may be sharp.
  - All wiring should be done by a qualified electrician and shall be in compliance with local codes. In the absence of local codes, use the current CSA22.1 Canadian Electric Code in Canada or the current National Electric Code ANSI/NFPA No. 70 in the United States.
  - Burning your appliance with the ash dump door ajar creates a fire hazard that may result in discolouration to the door, internal damage to the appliance or a house chimney fire.
  - Do not connect this appliance to a chimney flue serving another appliance.
  - **Children and adults should be alerted to the hazards of high surface temperature and should stay away to avoid burns or clothing ignition.**
  - **Young children should be carefully supervised when they are in the same room as the appliance. Toddlers, young children and others may be susceptible to accidental contact burns. A physical barrier is recommended if there are at risk individuals in the house. To restrict access to an appliance or stove, install an adjustable safety gate to keep toddlers, young children and other at risk individuals out of the room and away from hot surfaces.**
  - **Clothing or other flammable material should not be placed on or near the appliance. Objects placed in front of the appliance must be kept a minimum of 4 feet (1.22m) away from the front face of the appliance.**
  - **Due to high temperatures, the appliance should be located out of traffic and away from furniture and draperies.**
  - Ensure you have incorporated adequate safety measures to protect infants/toddlers from touching hot surfaces.
  - Even after the appliance is off, it will remain hot for an extended period of time.
  - Check with your local hearth specialty dealer for safety screens and hearth guards to protect children from hot surfaces. These screens and guards must be fastened to the floor.
  - **Any safety screen or guard removed for servicing must be replaced prior to operating the appliance.**
  - Under no circumstances should this appliance be modified.
  - This appliance must not be connected to a chimney flue pipe servicing a separate solid fuel burning appliance.
  - Do not operate the appliance with the glass door removed, cracked or broken. Replacement of the glass should be done by a licensed or qualified service person.
  - Do not strike or slam shut the appliance glass door.
  - **Only doors / optional fronts certified with the appliance are to be installed on the appliance.**
  - Keep the packaging material out of reach of children and dispose of the material in a safe manner. As with all plastic bags, these are not toys and should be kept away from children and infants.
  - If the appliance is not properly installed, a house fire may result. Do not expose the appliance to the elements (ex. rain, etc.) and keep the appliance dry at all times. Wet insulation will produce an odour when the appliance is used.
  - The chimney must be sound and free of cracks. Clean your chimney a minimum of twice a year and as required.
  - Do not start a fire with chemicals or fluids such as gasoline, engine oil, etc.
  - Your appliance requires periodic maintenance and cleaning. Failure to maintain your appliance may lead to smoke spillage in your home.
  - Ashes must be disposed in a metal container with a tight lid and placed on a non-combustible surface well away from the home or structure until completely cool.
  - Ensure clearances to combustibles are maintained when building a mantel or shelves above the appliance. Elevated temperatures on the wall or in the air above the appliance can cause melting, discolouration or damage to decorations, a T.V. or other electronic components.
- For wood appliances:**
- Lower emissions generally result when burning air dried seasoned hardwoods, as compared to softwoods or too green or freshly cut hardwoods. Burning wet unseasoned wood can cause excessive creosote accumulation. When this is ignited it can cause a chimney fire that may result in a serious house fire.
  - This appliance is designed to burn natural wood only. Do not burn trash or garbage, lawn clippings / waste, rubber, waste petroleum products, paints or paint thinners / solvents, plastic, materials containing asbestos, construction debris, railroad ties or treated wood, manure or animal remains, salt water driftwood or salted materials, unseasoned wood, coal, charcoal, coloured paper, gift wrapping, cardboard, plywood or particleboard. Burning these materials may result in release of toxic fumes or render the appliance ineffective and cause smoke.
  - Burn wood directly on the firebricks. Do not elevate grate or otherwise raise the fire.
  - Do not store wood within appliance installation clearances or within the space required for re-fueling and ash removal.
  - If equipped, the catalyst must be installed and in good working order. It is recommended that the catalyst is inspected at least three times per heating season.
- For pellet appliances:**
- It is imperative that the control compartments, burners and circulating blower and its passageway in the appliance and venting system are kept clean. The appliance and its venting system should be inspected before use and at least annually by a qualified service person. More frequent cleaning may be required due to excessive lint from carpeting, bedding material, etc. The appliance area must be kept clear and free from combustible materials, gasoline and other flammable vapors and liquids.
  - Do not use this appliance if any part has been under water. Immediately call a qualified service technician to inspect the appliance and to replace any part of the control system and any gas control which has been under water.
  - The heater is designed and approved for pelletized wood fuel only. Any other type of fuel burned in this heater will void the warranty and safety listing. Do not burn trash or garbage, lawn clippings / waste, rubber, waste petroleum products, paints or paint thinners / solvents, plastic, materials containing asbestos, construction debris, railroad ties or treated wood, manure or animal remains, salt water driftwood or salted materials, unseasoned wood, coloured paper, cardboard, plywood or particleboard. Burning these materials may result in release of toxic fumes or render the appliance ineffective and cause smoke.
  - The exhaust system must be completely straight and properly installed. It is recommended that the pellet vent joints be sealed with a minimum 500°F (260°C) silicone sealant. Install according to the vent manufacturer's instructions.
  - During a power outage this appliance will not operate. If a power outage does occur, check the appliance for smoke spillage and open a window if any smoke spills into the room.
  - Keep foreign objects out of the hopper.
  - Disconnect the power cord before performing any maintenance. **NOTE: Turning the pellet feed to "OFF" does not disconnect all power to the heater.**
  - At no point should you use firewood or firelogs in this appliance. The use of which could cause a house fire.
  - This appliance must be connected to a standard 115 V, 60Hz grounded electrical outlet. Do not use an adapter plug or sever the grounding prong. Do not route the electrical cord underneath, in front of, or over the appliance.
  - When installed in a mobile home, the appliance must be bolted to the floor, have outside air, and **NOT BE INSTALLED IN THE BEDROOM** (per H.U.D. requirements). Check with local building officials.
  - The exhaust system should be checked and cleaned once a year minimum for any build-up of soot or creosote.
  - This heater becomes very hot, you **MUST** wear heat resistant gloves when cleaning or handling this heater.

2.1 DIMENSIONS

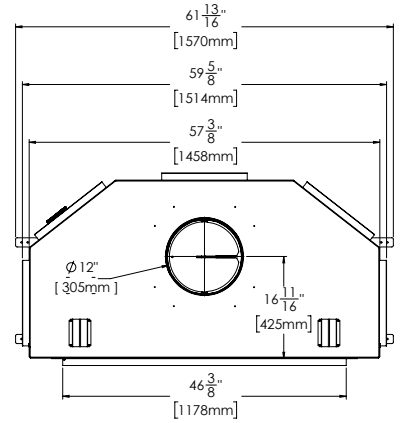
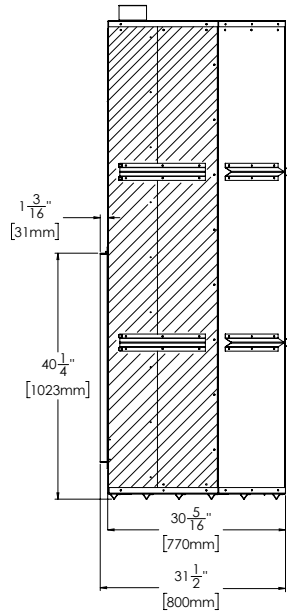
EN



NZ7000 ILLUSTRATED

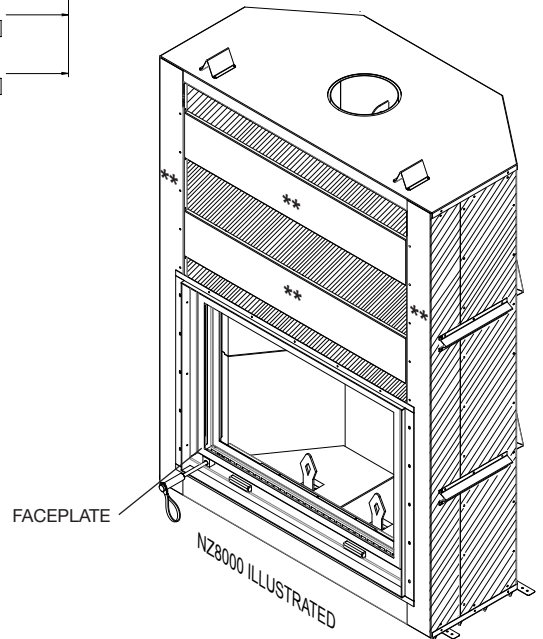


NZ8000 ILLUSTRATED



 NO SCREWS IN THIS AREA

 SCREWS MUST NOT PENETRATE MORE THAN 1/2" (12.7mm) IN LENGTH IN THIS AREA



## 2.2 GENERAL INSTRUCTIONS

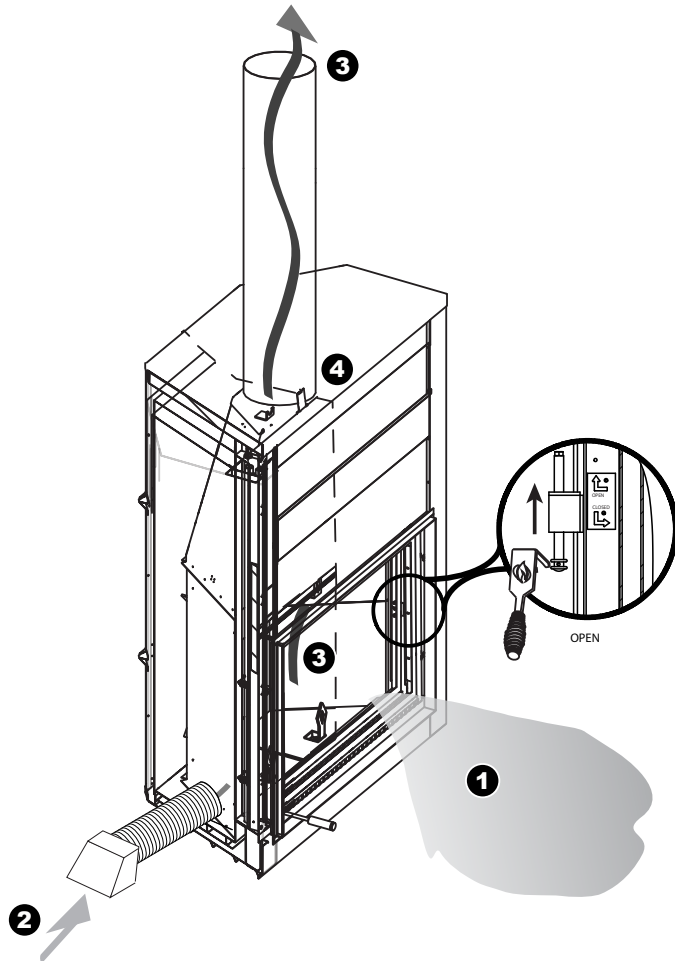
|  |
|--|
| <b>! WARNING</b>   |
| <b>BEFORE INSTALLING THIS APPLIANCE, CONTACT THE LOCAL BUILDING OR FIRE AUTHORITY AND FOLLOW THEIR GUIDELINES.</b>   |
| <b>THIS APPLIANCE MUST BE INSTALLED BY A QUALIFIED INSTALLER. FOLLOW THE INSTALLATION DIRECTIONS. DO NOT OPERATE WITHOUT FULLY ASSEMBLING ALL COMPONENTS.</b>  |
| <b>IF THIS APPLIANCE IS NOT PROPERLY INSTALLED, A HOUSE FIRE MAY RESULT.</b>   |
| <b>DO NOT EXPOSE THE APPLIANCE TO THE ELEMENTS (EX. RAIN, ETC.) AND KEEP THE APPLIANCE DRY AT ALL TIMES. WET INSULATION WILL PRODUCE AN ODOUR WHEN THE APPLIANCE IS USED.</b>  |
| <b>THIS APPLIANCE IS HOT WHEN OPERATED AND CAN CAUSE SEVERE BURNS IF CONTACTED. CHILDREN AND PETS MUST BE KEPT FROM TOUCHING THE APPLIANCE WHEN IT IS HOT. CONTACT YOUR LOCAL AUTHORIZED DEALER / DISTRIBUTOR FOR SAFETY SCREENS THAT MAY BE AVAILABLE FOR THIS PRODUCT.</b> |
| <b>COMBUSTIBLE MATERIAL SUCH AS FIREWOOD, WET CLOTHING, ETC. PLACED TOO CLOSE CAN CATCH FIRE. OBJECTS PLACED IN FRONT OF THE APPLIANCE MUST BE KEPT A MINIMUM OF 48" (121.9CM) FROM THE FRONT OF THE APPLIANCE.</b>  |
| <b>ALL WIRING SHOULD BE DONE BY A QUALIFIED ELECTRICIAN AND SHALL BE IN COMPLIANCE WITH LOCAL CODES AND WITH THE NATIONAL ELECTRIC CODE ANSI/NF NO. 70-CURRENT (IN THE UNITED STATES), OR WITH THE CURRENT CSA C22.1 CANADIAN ELECTRIC CODE (IN CANADA).</b>                 |

**NOTE:** It is recommended to test the listed components below before installation:

- Doors
- Balance weights
- Louvre for air intake
- Flue damper

**All components should be in good operating condition before the unit is installed.**

1. Combustion air is brought into the appliance through the slots and around the glass door or through the screen.
2. Outside air is controlled with a damper to supplement indoor air. The damper can only be adjusted to be fully closed or fully open.
3. Inside the firebox, combustion takes place and exhausts out the chimney.
4. The appliance includes a flue damper at the base of the chimney which shall be closed when the appliance is not in use to prevent cold air entering the home. See "Firebrick Installation and Damper Operation" section.



The location of windows and doors, as well as the traffic flow in the room where the appliance is to be located should be considered. If possible, choose a location where the chimney will pass through the house without cutting a floor or roof joist.

## 2.3 FEATURES

- Depending on the loading method and size of log, maximum length of 32" (81.3cm).
- Large glass door for maximum visibility.
- Fully refractory lined firebox.
- Closable outside air damper.
- Closable flue damper.
- Shipping weight 1150lbs (521kg).
- Flue outlet diameter 12" (30.5cm).
- Max fuel load 60lbs (27kg).
- Max fuel height, halfway or top of the first firebrick.
- Safety tested to: ULC S610 and UL 127.
- Emissions tested to: ASTM E2515 and ASTM E2558 for U.S. EPA Low Mass Wood-burning Fireplace voluntary program phase 2 emissions level (NZ8000 only).

## 2.4 THIS APPLIANCE

This appliance is a decorative product and not intended as a primary source of heat. Approximate heating capacity up to 1,000 square feet (92 square meters).



**DO NOT LET THE APPLIANCE BECOME HOT ENOUGH FOR ANY PART TO GLOW RED.**

## 2.5 PACKING LIST

### Shipped with appliance:

Installation manual  
Ember strip  
Flue damper tool

THE NZ8000 HAS BEEN EPA QUALIFIED.

### **CALIFORNIA PROP 65 WARNING:**

**Use of this product may produce smoke which contains chemicals known to the State of California to cause cancer, birth defects, or other reproductive harm.**

**Do not use makeshift compromises during installation.**

**Do not block or restrict air, grille or louvre openings! Do not add a hood.**

**Burning your appliance with the door open or ajar creates a fire hazard that may result in a house and/or chimney fire.**

**All venting connections must be in compliance with the chimney manufacturers installation instructions. Clearances referred to throughout this manual are the minimum requirements.**

**Your appliance must be installed in accordance with all national and local building code standards and the standard of Chimney and Appliances, Vents and Solid Fuel Burning Appliances NFPA #211. Consult the authority having jurisdiction (such as municipal building department, fire department, fire prevention bureau, etc.) to determine the need to obtain a permit. If you are in doubt about the proper installation for your situation, contact your dealer or local building or fire official. The manufacturer does not guarantee that this appliance and its options will completely heat your entire home.**

**Expansion / contraction noises during heating up and cooling down cycles are normal and to be expected.**

**It is recommended that in all cases, the appliance be secured to the floor. Use the pallet packing brackets to accomplish this.**



We suggest that our woodburning hearth products be installed and serviced by professionals who are certified in the U.S. by the National Fireplace Institute® (NFI) as NFI Woodburning Specialists or who are certified in Canada by Wood Energy Technical Training (WETT).

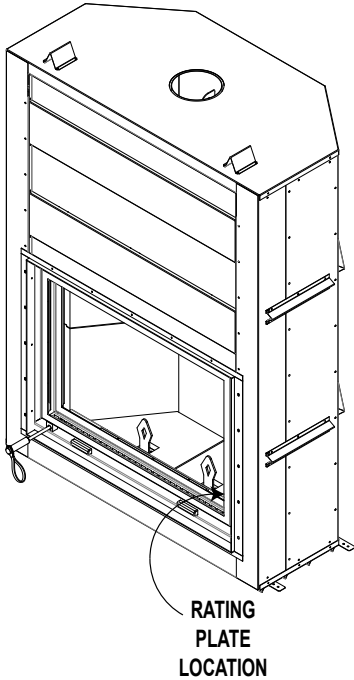





## 2.6 RATING PLATE INFORMATION

Rating plate is located behind the faceplate and door guide system on the right.

This illustration is for reference only. Refer to the rating plate on the appliance for accurate information.

**NOTE: The rating plate must remain with the appliance at all times. It must not be removed.**



|  |   |   |               |                      |   |                                 |                |                    |      |                            |                     |                         |      |
|--|---|---|---------------|----------------------|---|---------------------------------|----------------|--------------------|------|----------------------------|---------------------|-------------------------|------|
| CERTIFIED TO / CERTIFIÉ SELON: ULC-S610, UL-127  |   |   |               |                      |   |                                 |                |                    |      |                            |                     |                         |      |
| <br>9700539 (WSL)<br>4001657 (NGZ)<br>4001658 (NAC)<br>4001659 (WUSA)   | MODEL / N° DE MODÈLE<br><b>NZ7000</b>   |   |               |                      |   |                                 |                |                    |      |                            |                     |                         |      |
| <br>LISTED FACTORY BUILT FIREPLACE /<br>FOYER PRÉFABRIQUÉ HOMOLOGUÉ   | MODEL / N° DE MODÈLE<br><b>NZ8000*</b><br>NZ8000 AVERAGE<br>EMISSION / ÉMISSION<br>MOYENNE 4.87 g/kg<br>CERTIFIED TO ASTM E2515, ASTM E2558/<br>CERTIFIÉ AUX ASTM E2515, ASTM E2558<br>LISTED FACTORY BUILT FIREPLACE<br>PHASE 2 EMISSION LEVEL QUALIFIED.<br>LOW MASS WOOD BURNING FIREPLACE.<br>FOYER PRÉFABRIQUÉ HOMOLOGUÉ, LS<br>PHASE 2 NIVEAU QUALIFIÉ D'ÉMISSION.<br>FOYERS AU BOIS À FAIBLE MASSE.<br>MODEL CERTIFICATION DATE / DATE DE<br>CERTIFICATION <b>08/03/16</b>                         |   |               |                      |   |                                 |                |                    |      |                            |                     |                         |      |
| INSTALL AND USE ONLY IN ACCORDANCE WITH WOLF STEEL LTD. INSTALLATION INSTRUCTIONS AND OWNER'S MANUAL. CONTACT LOCAL BUILDING OR FIRE OFFICIALS ABOUT RESTRICTIONS AND INSTALLATION INSPECTION IN YOUR AREA. DO NOT CONNECT THIS UNIT TO A CHIMNEY SERVING ANOTHER APPLIANCE.   |   |   |               |                      |   |                                 |                |                    |      |                            |                     |                         |      |
| POUR INSTALLATION ET UTILISATION CONFORMÈMENT AUX MANUEL WOLF STEEL LTD. RENSEIGNEZ-VOUS APRÈS DES AUTORITÉS LOCALES DU BÂTIMENT OU DU SERVICE DES INCENDIES AU SUJET DES RESTRICTIONS ET DES INSPECTIONS D'INSTALLATION DANS VOTRE RÉGION. NE PAS RACCORDER À LA CHEMINÉE D'UN AUTRE APPAREIL.  |   |   |               |                      |   |                                 |                |                    |      |                            |                     |                         |      |
| Use Solid wood, processed solid fuel fire logs (or other specified type) fuel only. / Utilisez du bois massif, transformés solides bûches de combustible (ou un autre type spécifié) combustible seulement.  |   |   |               |                      |   |                                 |                |                    |      |                            |                     |                         |      |
| *FOR MODEL NZ8000 ONLY / *POUR LA MODÈLE NZ8000 SEULEMENT<br>QUALIFIED EPA PHASE 2 MODEL UNTIL AUGUST 2019 / QUALIFIÉ EPA PHASE 2 MODÈLE JUSQU'À AOÛT 2019<br>MANUFACTURE DATE / DATE DE FABRICATION<br><input type="checkbox"/> 2016 <input type="checkbox"/> 2017 <input type="checkbox"/> 2018 <input type="checkbox"/> 2019<br><input type="checkbox"/> Jan./Jan. <input type="checkbox"/> Apr./Avr. <input type="checkbox"/> Jul./Juill. <input type="checkbox"/> Oct./Oct.<br><input type="checkbox"/> Feb./Fév. <input type="checkbox"/> May/Mai <input type="checkbox"/> Aug./Août. <input type="checkbox"/> Nov./Nov.<br><input type="checkbox"/> Mar./Mars. <input type="checkbox"/> Jun/Juin <input type="checkbox"/> Sep/Sept. <input type="checkbox"/> Dec/Déc.                 | <b>WARNING :</b><br>For use with screen or glass door fully closed. Replace ceramic glass only with ceramic glass obtained from the dealer and certified for use with this appliance.<br>Not for use in a Mobile Home.  |   |               |                      |   |                                 |                |                    |      |                            |                     |                         |      |
| WARNING: THIS APPLIANCE HAS NOT BEEN TESTED WITH AN UNVENTED GAS LOG SET. TO REDUCE RISK OF FIRE OR INJURY, DO NOT INSTALL AN UNVENTED GAS LOG SET INTO APPLIANCE. / AVERTISSEMENT: CET APPAREIL N'A PAS ÉTÉ TESTÉ AVEC DES BÛCHES À GAZ. POUR RÉDUIRE LES RISQUES D'INCENDIE OU DE BLESSURES, NE PAS INSTALLER UN BÛCHE À GAZ DANS L'APPAREIL.  | <b>AVERTISSEMENT:</b><br>Pour une utilisation avec l'écran ou la porte complètement fermée. Remplacer verre céramique seulement uniquement avec verre céramique obtenue auprès du concessionnaire et certifiés pour une utilisation avec cet appareil.<br>Ne peut pas être installé dans une maison mobile.   |   |               |                      |   |                                 |                |                    |      |                            |                     |                         |      |
| Do not use a fireplace insert or other products not specified for use with this product. / Ne utiliser pas un insert de cheminée ou d'autres produits non spécifiés pour l'utilisation avec ce produit.  |   |   |               |                      |   |                                 |                |                    |      |                            |                     |                         |      |
| <b>COMPONENTS REQUIRED FOR INSTALLATION:</b><br>SHIPPED WITH THE FIREPLACE: INSTALLATION MANUAL EMBER STRIP<br>NOT SHIPPED WITH THE FIREPLACE: REFRACTORY BRICKS   |   |   |               |                      |   |                                 |                |                    |      |                            |                     |                         |      |
| <b>CHIMNEY REQUIREMENTS (see installation manual):</b><br>Chimney must be certified to one of the following standards:<br>ULC-S629, ULC-S604, ULC-S610 for Canada or UL-103HT, UL-103 for the United States.<br>Air cooled chimney: Use DuraVent DuraChimney II.   |   |   |               |                      |   |                                 |                |                    |      |                            |                     |                         |      |
| <table border="0" style="width: 100%;"> <tr> <td style="width: 33%;">MINIMUM CHIMNEY HEIGHT (FROM TOP OF APPLIANCE)</td> <td style="width: 33%;">12 ft (3.66m)</td> <td style="width: 33%;">MAXIMUM # OF ELBOWS</td> <td style="width: 33%;">4</td> </tr> <tr> <td>MAXIMUM CHIMNEY HEIGHT</td> <td>40 ft (12.1 m)</td> <td>FLUE COLLAR</td> <td>12"ø</td> </tr> <tr> <td>MAXIMUM OFFSET ANGLE</td> <td>30° US - 45° CANADA</td> <td>MIN. CHIMNEY DIAMETER</td> <td>10"ø</td> </tr> </table>  |   | MINIMUM CHIMNEY HEIGHT (FROM TOP OF APPLIANCE)          | 12 ft (3.66m) | MAXIMUM # OF ELBOWS  | 4 | MAXIMUM CHIMNEY HEIGHT          | 40 ft (12.1 m) | FLUE COLLAR        | 12"ø | MAXIMUM OFFSET ANGLE       | 30° US - 45° CANADA | MIN. CHIMNEY DIAMETER   | 10"ø |
| MINIMUM CHIMNEY HEIGHT (FROM TOP OF APPLIANCE)   | 12 ft (3.66m)   | MAXIMUM # OF ELBOWS                                     | 4             |                      |   |                                 |                |                    |      |                            |                     |                         |      |
| MAXIMUM CHIMNEY HEIGHT   | 40 ft (12.1 m)  | FLUE COLLAR   | 12"ø          |                      |   |                                 |                |                    |      |                            |                     |                         |      |
| MAXIMUM OFFSET ANGLE   | 30° US - 45° CANADA   | MIN. CHIMNEY DIAMETER                                   | 10"ø          |                      |   |                                 |                |                    |      |                            |                     |                         |      |
| <b>COMPOSANTS REQUIS POUR L'INSTALLATION:</b><br>LIVRÉ AVEC LE FOYER: MANUEL D'INSTRUCTIONS PARE-BRAISES<br>NE LIVRÉ AVEC LE FOYER: BRIQUE RÉFRACTAIRE   |   |   |               |                      |   |                                 |                |                    |      |                            |                     |                         |      |
| <b>EXIGENCES POUR LA CHEMINÉE (voir le manuel d'installations)</b><br>La cheminée doit être certifiée selon l'une des normes suivantes :<br>ULC-S629, ULC-S604, ULC-S610 pour le Canada ou selon les normes UL-103HT, UL-103 pour les États-Unis.<br>Cheminée refroidie à l'air: Utilisez DuraVent DuraChimney II.   |   |   |               |                      |   |                                 |                |                    |      |                            |                     |                         |      |
| <table border="0" style="width: 100%;"> <tr> <td style="width: 33%;">HAUTEUR MINIMALE DE LA CHEMINÉE (DE HAUT DE L'APPAREIL)</td> <td style="width: 33%;">12 pi (3,66m)</td> <td style="width: 33%;"># MAXIMAL DE COUDES:</td> <td style="width: 33%;">4</td> </tr> <tr> <td>HAUTEUR MAXIMALE DE LA CHEMINÉE</td> <td>40 pi (12,1 m)</td> <td>BUSE D'ÉVACUATION:</td> <td>12"ø</td> </tr> <tr> <td>ANGLE DE DÉVIATION MAXIMAL</td> <td>30° US - 45° CANADA</td> <td>MIN. CHEMINÉE DIAMÈTRE:</td> <td>10"ø</td> </tr> </table>  |   | HAUTEUR MINIMALE DE LA CHEMINÉE (DE HAUT DE L'APPAREIL) | 12 pi (3,66m) | # MAXIMAL DE COUDES: | 4 | HAUTEUR MAXIMALE DE LA CHEMINÉE | 40 pi (12,1 m) | BUSE D'ÉVACUATION: | 12"ø | ANGLE DE DÉVIATION MAXIMAL | 30° US - 45° CANADA | MIN. CHEMINÉE DIAMÈTRE: | 10"ø |
| HAUTEUR MINIMALE DE LA CHEMINÉE (DE HAUT DE L'APPAREIL)  | 12 pi (3,66m)   | # MAXIMAL DE COUDES:                                    | 4             |                      |   |                                 |                |                    |      |                            |                     |                         |      |
| HAUTEUR MAXIMALE DE LA CHEMINÉE  | 40 pi (12,1 m)  | BUSE D'ÉVACUATION:                                      | 12"ø          |                      |   |                                 |                |                    |      |                            |                     |                         |      |
| ANGLE DE DÉVIATION MAXIMAL   | 30° US - 45° CANADA   | MIN. CHEMINÉE DIAMÈTRE:                                 | 10"ø          |                      |   |                                 |                |                    |      |                            |                     |                         |      |
| PREVENT CREOSOTE FIRE: INSPECT CHIMNEY AND CHIMNEY CONNECTOR, IF APPLICABLE, TWICE MONTHLY AND CLEAN IF NECESSARY. DO NOT OVERFIRE. IF EXTERIOR OF UNIT GLOWS RED, YOU ARE OVERFIRING. KEEP FURNISHINGS AND OTHER COMBUSTIBLE MATERIALS A CONSIDERABLE DISTANCE AWAY FROM APPLIANCE. TYPE OF FUEL: SOLID WOOD ONLY. PRÉVENIR LES FEUX DE CREOSOTE: INSPECTEZ LA CHEMINÉE OU LE RACCORD DE CHEMINÉE, SI APPLICABLE. DEUX FOIS PAR MOIS ET NETTOYEZ SI NÉCESSAIRE. NE SURCHAUFFEZ PAS. SI L'EXTÉRIEUR DE L'UNITÉ DEVIENT ROUGE, VOUS SURCHAUFFEZ. GARDEZ LES MEUBLES ET AUTRES MATÉRIELS COMBUSTIBLES À UNE DISTANCE CONSIDÉRABLE DE L'APPAREIL DE CHAUFFAGE. TYPE DE COMBUSTIBLE: SOLIDE BOIS SEULEMENT.  | IMPORTANT: BEFORE COMMENCING INSTALLATION, REFER TO THE LABEL LOCATED BEHIND THE FACEPLATE AND TO THE MANUFACTURER'S INSTALLATION INSTRUCTIONS PACKAGED TOGETHER WITH THIS UNIT. THE INSTALLATION MUST BE APPROVED BY THE AUTHORITY HAVING JURISDICTION. AVANT DE COMMENCER L'INSTALLATION, RÉFÉREZ-VOUS À L'ÉTIQUETTE QUI SE TROUVE DERRIÈRE LA FAÇADE AINSI QU'ÀUX INSTRUCTIONS D'INSTALLATION DU MANUFACTURIER FOURNIES AVEC L'APPAREIL. L'INSTALLATION DOIT ÊTRE APPROUVÉE PAR L'AUTORITÉ COMPÉTENTE. |   |               |                      |   |                                 |                |                    |      |                            |                     |                         |      |
| *This model meets the U.S. EPA Wood-burning Fireplace Program Phase 2 emission level. To minimize smoke, always operate your fireplace in accordance with the manufacturer's instructions found in the owner's manual. Additional information about EPA's Program is available at <a href="http://www.epa.gov/burnwise/index.html">www.epa.gov/burnwise/index.html</a> / Ce modèle répond à la Cheminée programme de phase de niveau 2 des émissions États-Unis EPA à bois. Pour minimiser la fumée, toujours fonctionner votre foyer conformément aux instructions du fabricant figurant dans le manuel du propriétaire. Des renseignements supplémentaires sur le programme de l'EPA est disponible à <a href="http://www.epa.gov/burnwise/index.html">www.epa.gov/burnwise/index.html</a> |   |   |               |                      |   |                                 |                |                    |      |                            |                     |                         |      |
|  <b>WOLF STEEL</b><br>24 NAPOLEON ROAD, BARRIE, ONTARIO L4M 0G8 CANADA  |   |   |               |                      |   |                                 |                |                    |      |                            |                     |                         |      |
| NZ7000 / NZ3000  | W385-2168 / A   |   |               |                      |   |                                 |                |                    |      |                            |                     |                         |      |



### 3.0 INSTALLATION PLANNING

| <b>! WARNING</b>  |
|---|
| <b>WEAR GLOVES AND SAFETY GLASSES FOR PROTECTION.</b>   |
| <b>CAREFULLY FOLLOW THE INSTRUCTIONS FOR ASSEMBLY OF THE PIPE AND OTHER PARTS NEEDED TO INSTALL THE APPLIANCE. FAILURE TO DO SO MAY RESULT IN A FIRE, ESPECIALLY IF COMBUSTIBLES ARE TOO CLOSE TO THE APPLIANCE OR CHIMNEY AND AIR SPACES ARE BLOCKED, PREVENTING THE FREE MOVEMENT OF COOLING AIR.</b>   |
| <b>DO NOT DRAW OUTSIDE AIR FROM GARAGE SPACES. EXHAUST PRODUCTS OF GASOLINE ENGINES ARE HAZARDOUS. DO NOT INSTALL OUTSIDE AIR DUCTS SUCH THAT THE AIR MAY BE DRAWN FROM ATTIC SPACES, BASEMENTS OR ABOVE THE ROOFING WHERE OTHER HEATING APPLIANCES OR FANS AND CHIMNEYS EXHAUST OR UTILIZE AIR. THESE PRECAUTIONS WILL REDUCE THE POSSIBILITY OF APPLIANCE SMOKING OR AIR FLOW REVERSAL. THE OUTSIDE AIR INLET MUST REMAIN CLEAR OF LEAVES, DEBRIS ICE AND/OR SNOW. IT MUST BE UNRESTRICTED WHILE APPLIANCE IS IN USE TO PREVENT ROOM AIR STARVATION WHICH CAN CAUSE SMOKE SPILLAGE AND AN INABILITY TO MAINTAIN A FIRE. SMOKE SPILLAGE CAN ALSO SET OFF SMOKE ALARMS.</b> |
| <b>NEGATIVE PRESSURE WITHIN YOUR HOME MAY INADVERTENTLY AFFECT YOUR APPLIANCE.</b>  |
| <b>TO PREVENT CONTACT WITH SAGGING OR LOOSE INSULATION, THE APPLIANCE MUST NOT BE INSTALLED AGAINST VAPOUR BARRIERS OR EXPOSED INSULATION. LOCALIZED OVERHEATING COULD OCCUR AND A FIRE COULD RESULT.</b>   |
| <b>DO NOT USE MAKESHIFT COMPROMISES DURING INSTALLATION. DO NOT BLOCK OR RESTRICT AIR, GRILLE OR LOUVRE OPENINGS. DO NOT ADD A HOOD.</b>  |
| <b>TO PREVENT PERSONAL INJURY KEEP HAND TOOLS IN GOOD CONDITION, SHARPEN CUTTING EDGES AND MAKE SURE TOOL HANDLES ARE SECURE.</b>   |
| <b>ALWAYS MAINTAIN THE MINIMUM AIR SPACE REQUIRED TO THE ENCLOSURE TO PREVENT FIRES.</b>  |
| <b>CHECK WITH LOCAL BUILDING OFFICIALS FOR ANY PERMITS REQUIRED FOR INSTALLATION OF THIS APPLIANCE AND NOTIFY YOUR INSURANCE COMPANY PRIOR TO PROCEEDING.</b>   |

### 3.1 LOCATION AND CLEARANCES

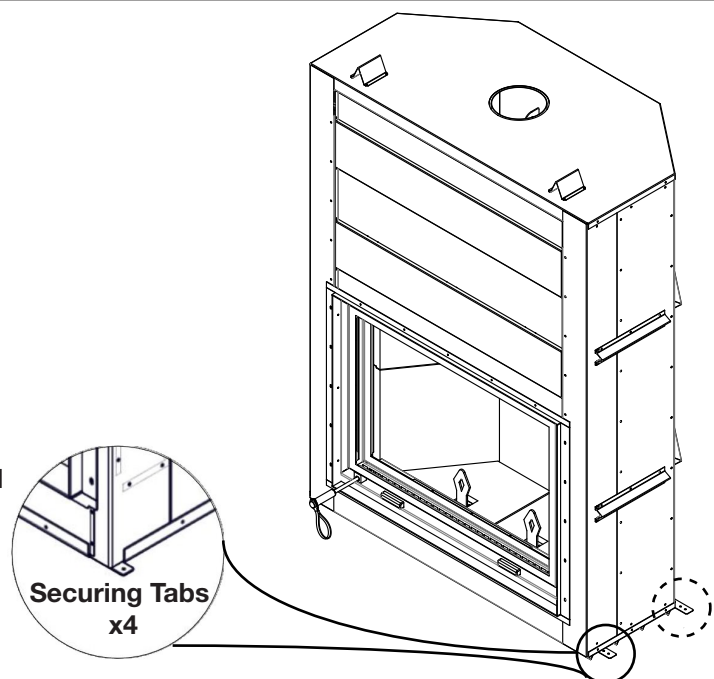
| <b>! WARNING</b>   |
|--|
| <b>DO NOT INSTALL INTO ANY AREA HAVING A HEIGHT LESS THAN 8 FEET (2.4M) (CEILING OF ENCLOSURE TO APPLIANCE BOTTOM, EXCLUDING HEARTH HEIGHT).</b> |

#### **IMPORTANT**

This appliance, fully dressed, weighs 1400lbs (635kg). Ensure there is adequate floor support for the appliance, chimney and facing material. Some material could weigh hundreds of pounds.

**We recommend that the appliance be secured to the floor in all cases.**

Using the door opening as a datum, level the appliance by shimming underneath the appliance. Bend the four securing tabs (located on the front and back corners), and secure the appliance to the floor.



### 3.1.1 VENTILATION OPENINGS

It is recommended to provide air circulation within the enclosure by installing ventilation grilles (minimum openings of 40 sq. inches (0.03 sq. meters) at both floor and ceiling levels of the enclosure. These grilles must not restrict the flow of heat by more than 25%. Do not install into any area having a height less than 8 ft (2.4m) (ceiling of enclosure to appliance bottom, excluding hearth height).

### 3.2 OUTSIDE COMBUSTION AIR

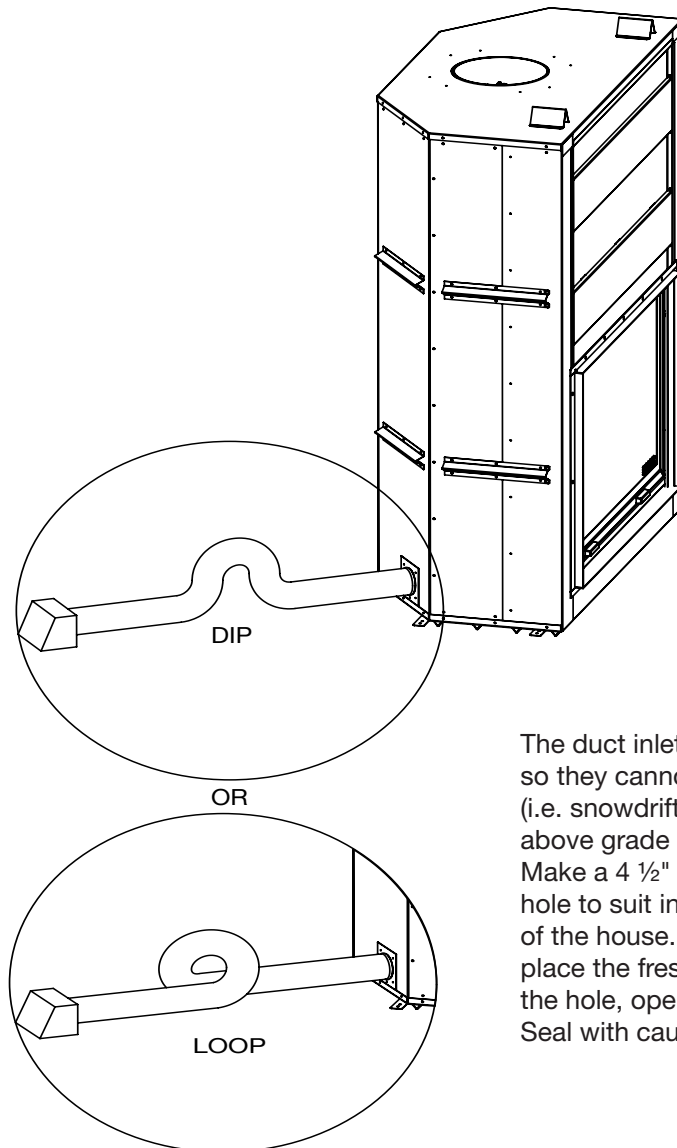
It is recommended to install outside air to the appliance as this will help to prevent any smoke entering the living space in homes that experience negative pressures. Check with local authorities having jurisdiction in your area, as installing outside air to the appliance may be mandatory.

Insulating the intake liner is recommended in colder climates to prevent condensation from occurring.

It is recommended that a dip or loop is put into the duct creating a cold air trap in order to prevent cold air from flowing into the room when the appliance is not being operated (see illustration below).

The NZ7000 and NZ8000 take outside air directly into the appliance through the opening on the left side.

The fresh air inlet duct and hood must be installed lower than the firebox. Secure and seal the intake liner to the collar using 3 sheet metal screws, and high temperature sealant.



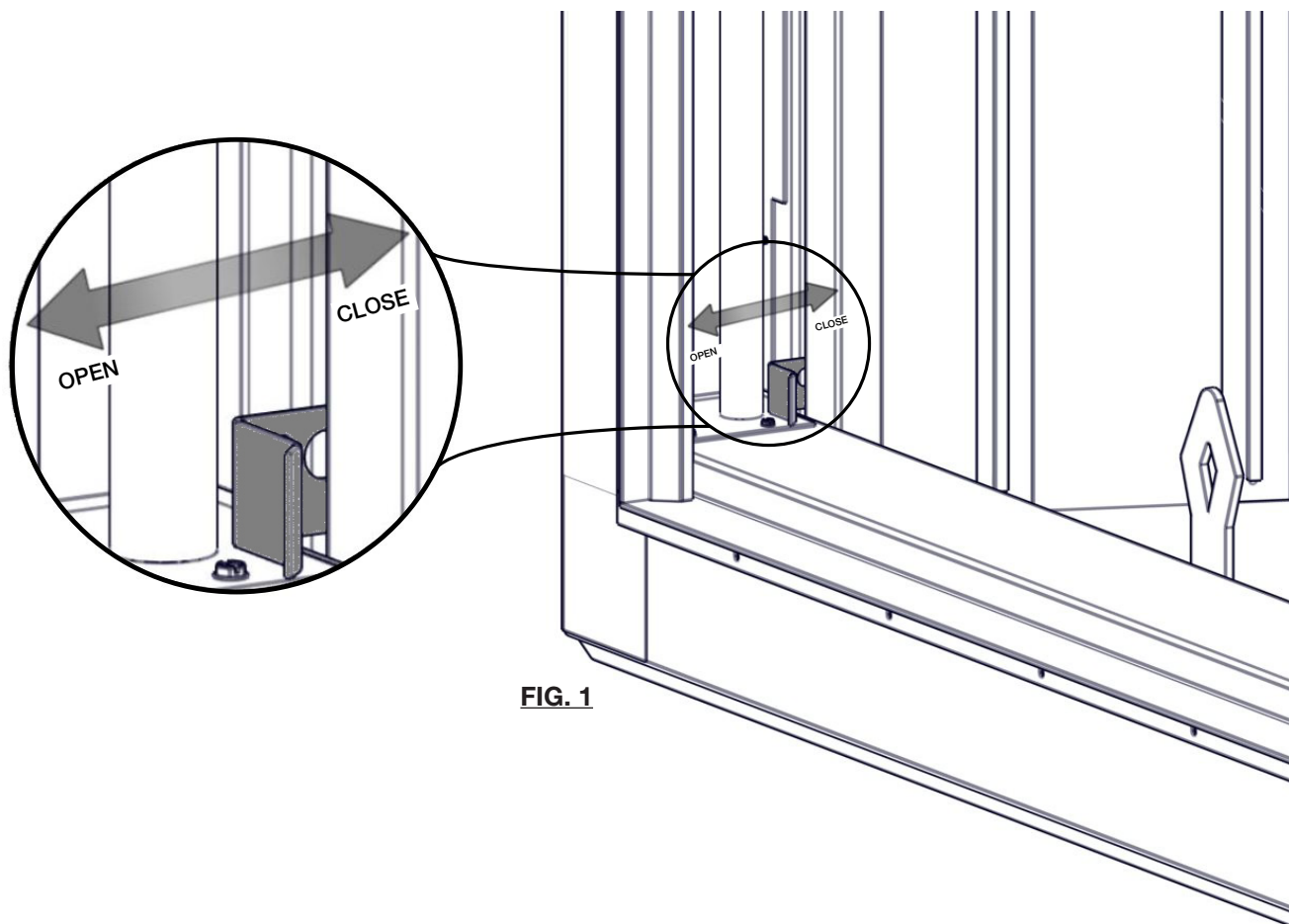
The duct inlet must be located so they cannot be blocked (i.e. snowdrifts). 12" (30.5cm) above grade is recommended. Make a 4 1/2" (114mm) inch hole to suit in an outside wall of the house. From outside, place the fresh air hood into the hole, open side down. Seal with caulking and secure.

### 3.2.1 OUTSIDE COMBUSTION AIR OPERATION

The outside combustion air control is located on the left hand side of the appliance directly behind the glass door guide rail. **(FIG. 1)**

Before lighting the appliance, ensure the outside combustion air control is open by pulling the lever towards the front of the appliance.

Before closing the outside combustion air control, allow the appliance to cool completely. To close, push lever in towards the appliance.



**FIG. 1**

### 3.3 FLOOR PROTECTION

#### 3.3.1 EMBER STRIP AND HEARTH EXTENSIONS

## ! WARNING

**HEARTH EXTENSIONS ARE TO BE INSTALLED ONLY AS DESCRIBED TO PREVENT HIGH TEMPERATURES FROM OCCURRING ON CONCEALED COMBUSTIBLE MATERIALS. HEARTH EMBER STRIPS PREVENT BURNING OR HOT PARTICLES FROM INADVERTENTLY FALLING DIRECTLY ON COMBUSTIBLE SURFACES IN THE EVENT THE BUILDING SHOULD SETTLE AND DISTURB THE ORIGINAL CONSTRUCTION.**

An acceptable 70" (177.8cm) x 20" (50.8cm) non-combustible (ie: brick, stone or ceramic tile) hearth extension must be installed. Hearth must extend 20" (50.8cm) in front of the faceplate. Hearth must extend a minimum of 12" (30.5cm) to both sides of the appliance door opening. See local building codes for more detailed dimensions.

The hearth must extend a minimum 20" (50.8cm) in front of the appliance although if raised a minimum of 6 1/2" (165mm) the 20" (50.8cm) may be reduced to a minimum of 18" (45.7cm).

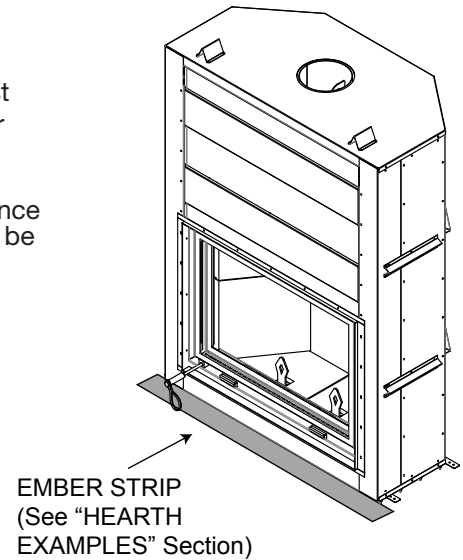
The hearth must be a minimum of 1" (25mm) thick cement board (or equivalent) plus 1/4" (6.4mm) ceramic tile.

Ensure that the gap between the appliance and a non-combustible hearth extension is sealed with sand/cement grout or covered with an ember strip (or both) to prevent sparks and embers from falling into this area.

Raised hearths must be constructed of non-combustible materials such as cement blocks or bricks.

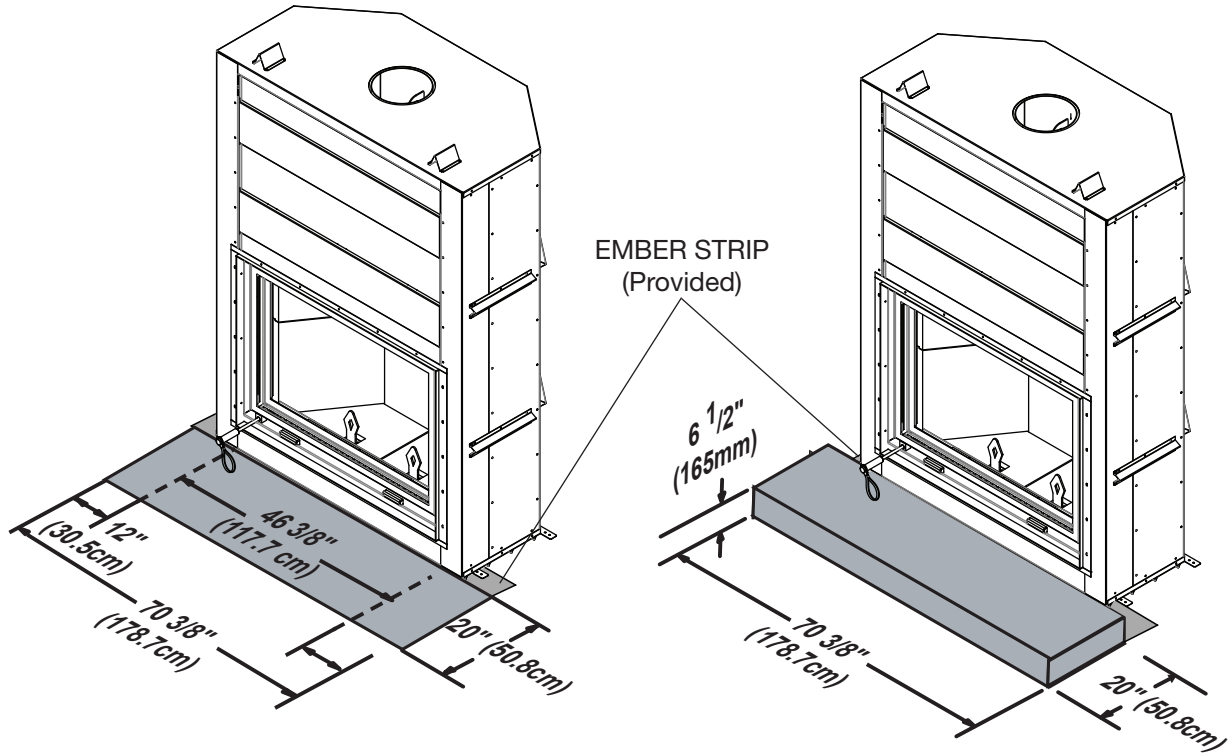
While the appliance can be installed directly on the floor (using the ember strip), a non-combustible hearth extension is required in front of the appliance, that must not be built higher than the bottom of the appliance faceplate. It may therefore be advisable to build the appliance on a raised platform.

A raised hearth together with the appliance built on a raised platform is recommended for easier wood loading and fire viewing.



EMBER STRIP  
(See "HEARTH  
EXAMPLES" Section)

### 3.3.2 HEARTH EXTENSION



An acceptable 70" (177.8cm) x 20" (50.8cm) non-combustible (ie: brick, stone or ceramic tile) hearth extension must be installed. Hearth must extend 20" (50.8cm) in front of the faceplate. Hearth must extend a minimum of 12" (30.5cm) to both sides of the appliance [70" (177.8cm)]. See local building codes for more detailed dimensions.

Hearth must be a minimum of 1" (25mm) thick cement board (or equivalent) plus 1/4" (6.4mm) ceramic tile.

Ensure that the gap between the appliance and a combustible hearth extension is sealed with sand/cement grout or covered with a metal strip (or both) to prevent sparks and embers from falling into this area.

#### **HEARTH EXTENSION**

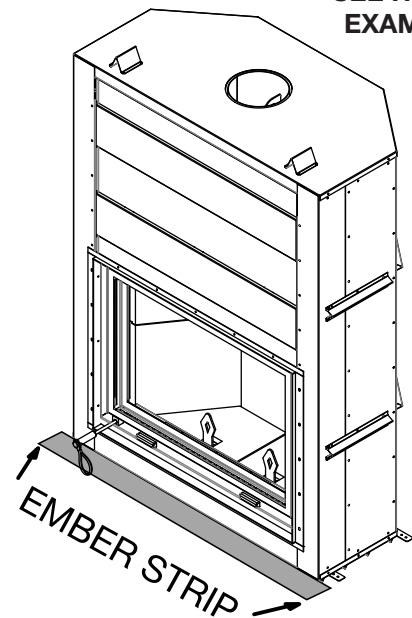
Elevated hearths must be constructed of noncombustible materials such as cement blocks or bricks.

While the appliance can be installed directly on the floor (using the ember strip), a non-combustible hearth extension is required in front of the appliance, that must not be built higher than the bottom of the appliance faceplate. It may therefore be advisable to build the appliance on a raised platform.

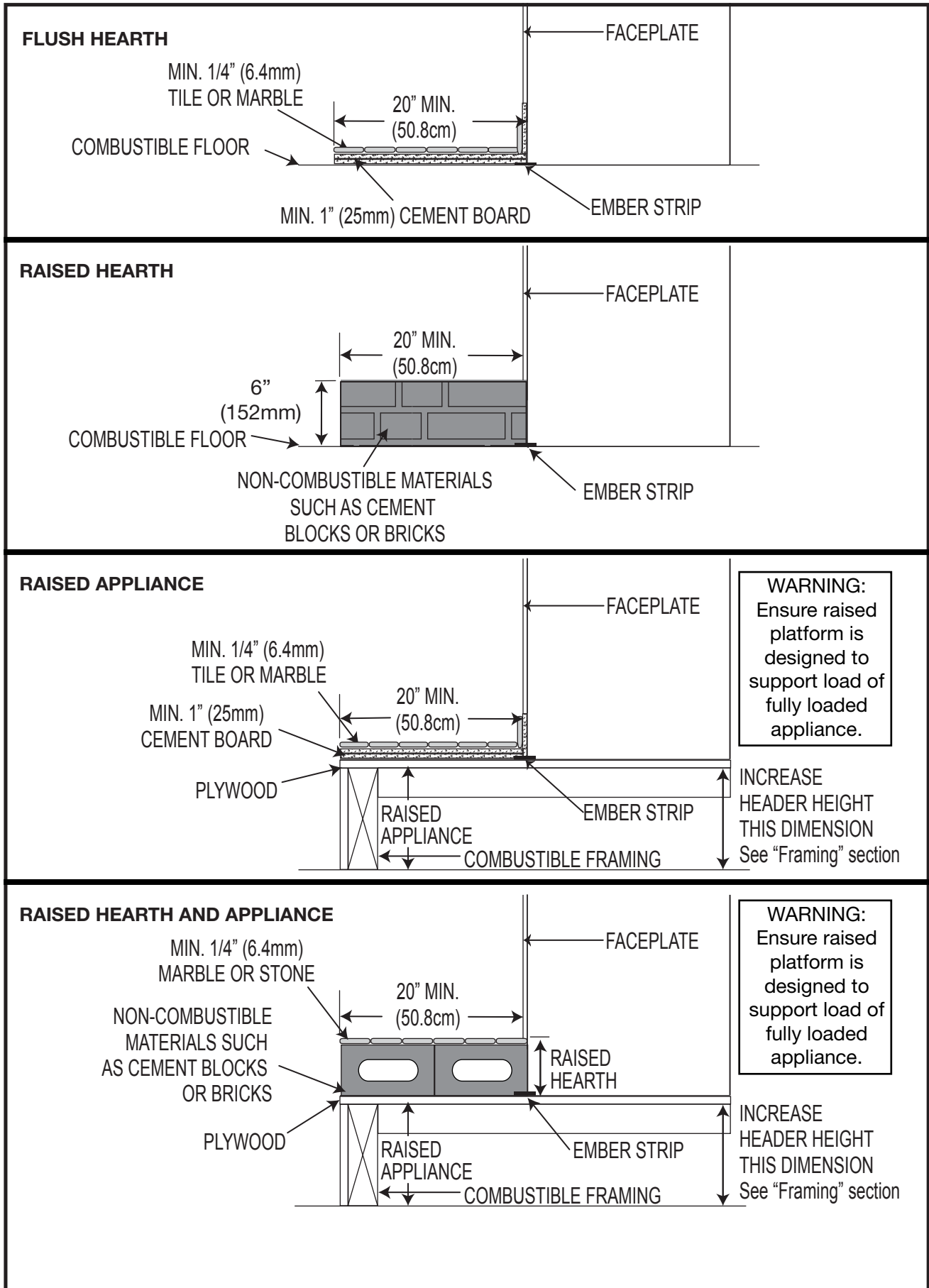
Hearths raised minimum 6 1/2" (165mm) must extend a minimum of 18" (45.7cm).

A raised hearth together with the appliance built on a raised platform is recommended for easier wood loading and fire viewing.

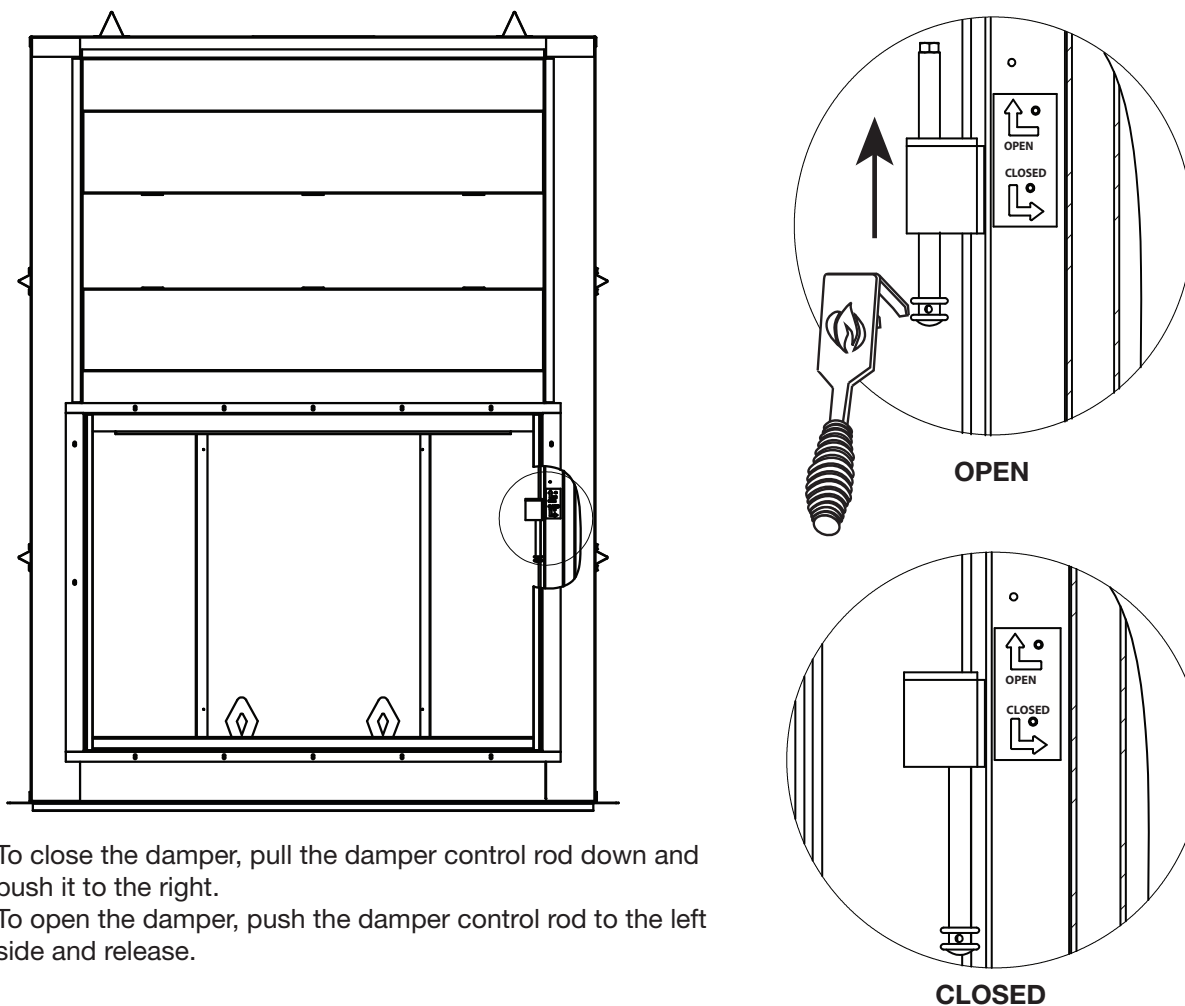
**SEE HEARTH EXAMPLES**



3.3.3 HEARTH EXAMPLES



### 3.3.4 FLUE DAMPER OPERATION



To close the damper, pull the damper control rod down and push it to the right.  
To open the damper, push the damper control rod to the left side and release.

**NOTE:** The damper must be in the "OPEN" position when burning.

**NOTE:** If damper becomes unthreaded it will remaining situated in the "OPEN" position.

**NOTE:** If damper does not operate properly, do not proceed with chimney installation. The damper operation should be thoroughly checked before the chimney is installed.

## ! WARNING

**NEVER INSTALL A SINGLE WALL SLIP SECTION OR SMOKE PIPE IN A CHASE STRUCTURE. THE HIGHER TEMPERATURE OF THIS SINGLE WALL PIPE MAY RADIATE SUFFICIENT HEAT TO COMBUSTIBLE CHASE MATERIALS TO CAUSE A FIRE.**

**TO AVOID DANGER OF FIRE, ALL INSTRUCTIONS MUST BE STRICTLY FOLLOWED, INCLUDING THE PROVISION OF AIR SPACE CLEARANCE BETWEEN CHIMNEY SYSTEM AND ENCLOSURE. TO PROTECT AGAINST THE EFFECTS OF CORROSION ON THOSE PARTS EXPOSED TO THE WEATHER, WE RECOMMEND THAT THE CHASE TOP BE PAINTED WITH A RUST-RESISTANT PAINT.**

**MAINTAIN A MINIMUM 2" (51mm) AIR CLEARANCE TO ALL PARTS OF THE CHIMNEY SYSTEM AT ALL TIMES. FAILURE TO MAINTAIN THIS 2" (51mm) AIR CLEARANCE WILL CAUSE A STRUCTURE FIRE.**

**DETAILED INSTRUCTIONS FOR INSTALLATION OF THE CHASE TOP, STORM COLLAR AND TERMINATION CAP ARE PACKAGED WITH THESE PARTS.**

**FIRESTOP SPACERS MUST BE USED WHENEVER THE CHIMNEY PENETRATES A CEILING/FLOOR AREA.**

**THE CHIMNEY MUST BE SOUND AND FREE OF CRACKS. CLEAN YOUR CHIMNEY A MINIMUM OF TWICE A YEAR AND AS REQUIRED.**

### 4.1 CHIMNEY

**NOTE:** All venting connections must be in compliance with the chimney manufacturers installation instructions.

This appliance was tested to CAN/ULC S610 and UL 127 Factory Built Fireplace Standards. This appliance has met the test criteria for Zero Clearance Installation to Combustible Surfaces and Certified to burn firewood only.

Any chimney 10" (254mm) or 12" (30.5cm) diameter listed to CAN/ULC S610 for Canada or UL127 for the United States or to the following standards; CAN/ULC-S604 and CAN/ULC-S629 for Canada or UL-103 or UL-103HT for the United States may be installed.

Installation of all types of factory-built chimney systems is to be in accordance with the chimney manufacturers installation instructions. An appropriate chimney manufacturers anchor base plate and anchor base plate gasket is required in order to initiate their system. Use the high temperature gasket, supplied, to seal between the anchor plate and the appliance top. Air cooled chimney systems are not recommended in colder climates.

Chimney sections must be adequately secured one to the other to ensure they do not separate. For complete installation instructions, refer to instructions provided with the manufactured chimney system.

A chimney venting the appliance shall not vent any other appliance. The minimum overall chimney height from the top of the appliance is 15ft (4.6m). The maximum overall chimney height from the top of the appliance is 34ft (10.4m).

Factory-built chimney systems for use in dwellings constructed for three or more families must be enclosed above the room in which the appliance is located. This enclosure must have a fire resistance rating equal to or greater than that of the floor or roof assembly through which they pass.

The chimney should not be built with an offset angle in excess of 45° in Canada and 30° in USA.

Ensure that minimum clearances are maintained.

Portions of the chimney that extend through accessible spaces must always be encased to avoid personal contact with the chimney and thereby avoid damage to the chimney.

The chimney must be supported at a maximum of 20ft (6.1m) intervals. Every 20 ft (6.1m) of chimney can weigh up to approximately 200lbs (90.7kg). When using a 10" chimney, center anchor plate to appliance flue outlet.

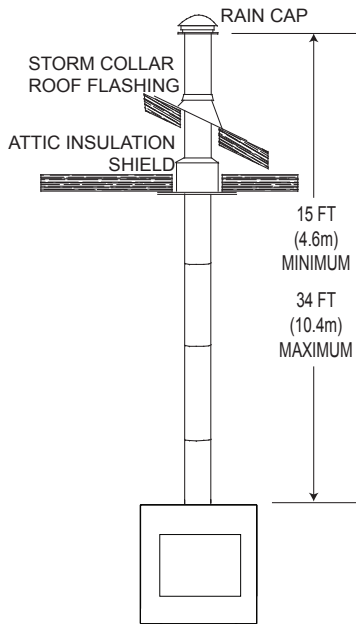
**NOTE:** Masonry chimney installations are not permitted.



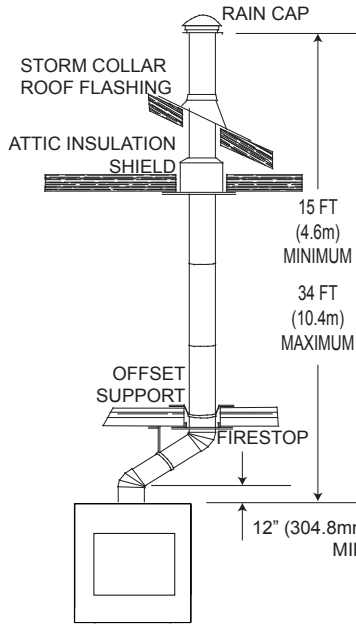
**ANCHOR PLATE FOR A FACTORY BUILT CHIMNEY**



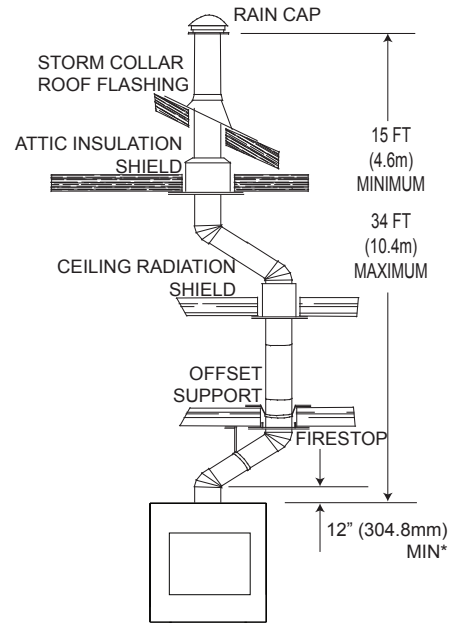
## 4.2 TYPICAL CHIMNEY INSTALLATION (10" or 12" Solid Packed or Air Cooled Chimney)



**STRAIGHT CHIMNEY**



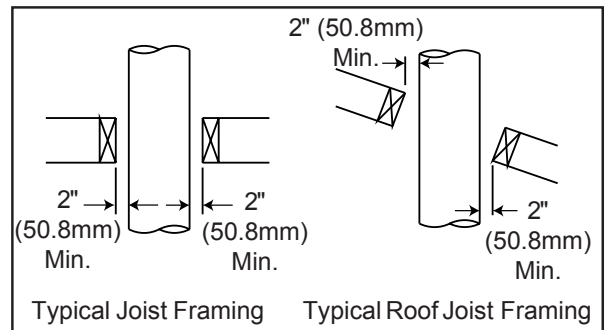
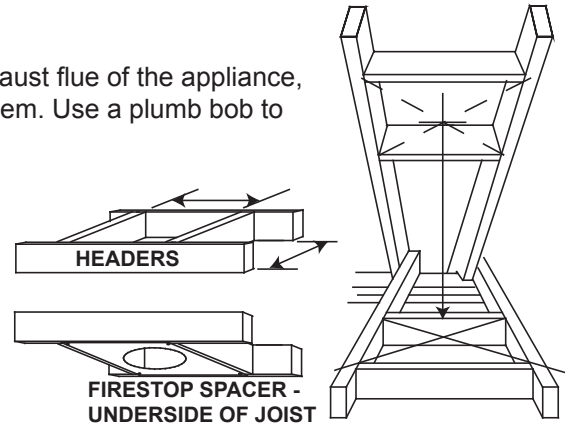
**SINGLE OFFSET CHIMNEY**



**DOUBLE OFFSET CHIMNEY**

\* The first flue offset closest to the top of the appliance must be a minimum distance of 12" (304.8mm) from the top of the appliance.

1. Move the appliance into position. Try to center the exhaust flue of the appliance, midpoint between two joists to prevent having to cut them. Use a plumb bob to line up the centre.
2. Cut and frame an opening in the ceiling to provide a minimum clearance of 2" (51mm) between the outside of the chimney and any combustible material. **DO NOT FILL THIS SPACE WITH ANY TYPE OF MATERIAL!** Nail headers between the joists for extra support. Firestop spacers must be placed on each framed opening in any floor or ceiling that the chimney passes through.
3. Hold a plumb bob from the underside of the roof to determine where the opening in the roof should be. Cut and frame the roof opening maintaining proper 2" (50.8mm) clearances.

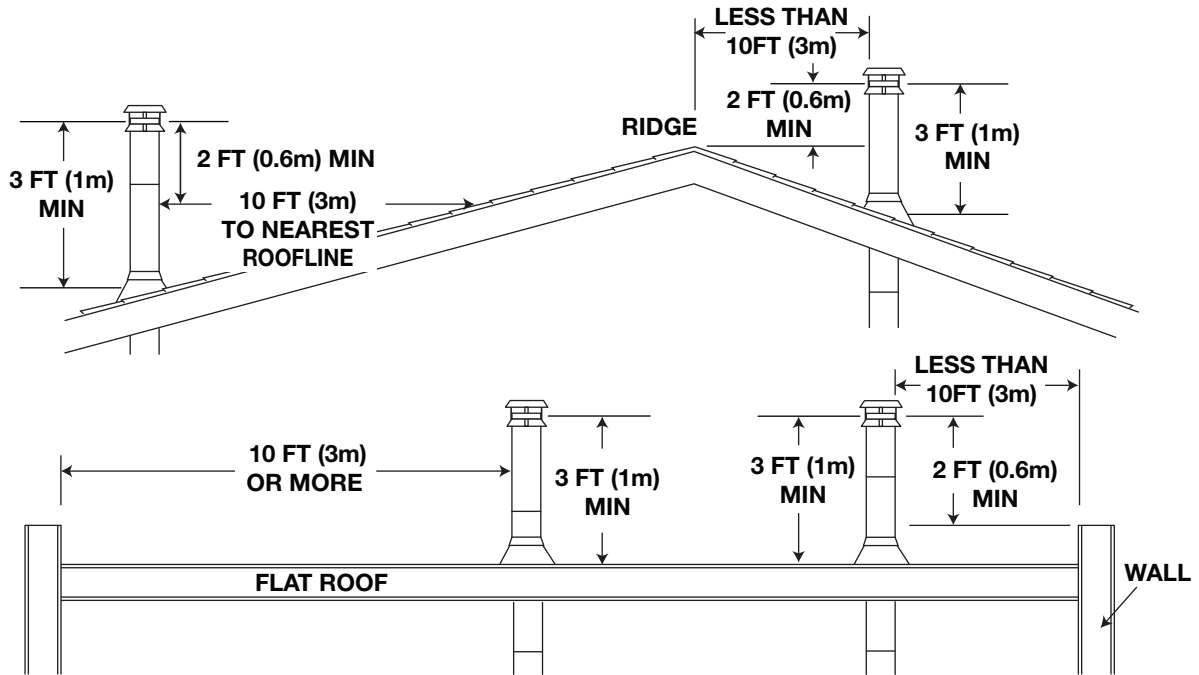


**NOTE:** 30° or 45° offsets may be installed back to back. See "Offset Chimney Installation" section.

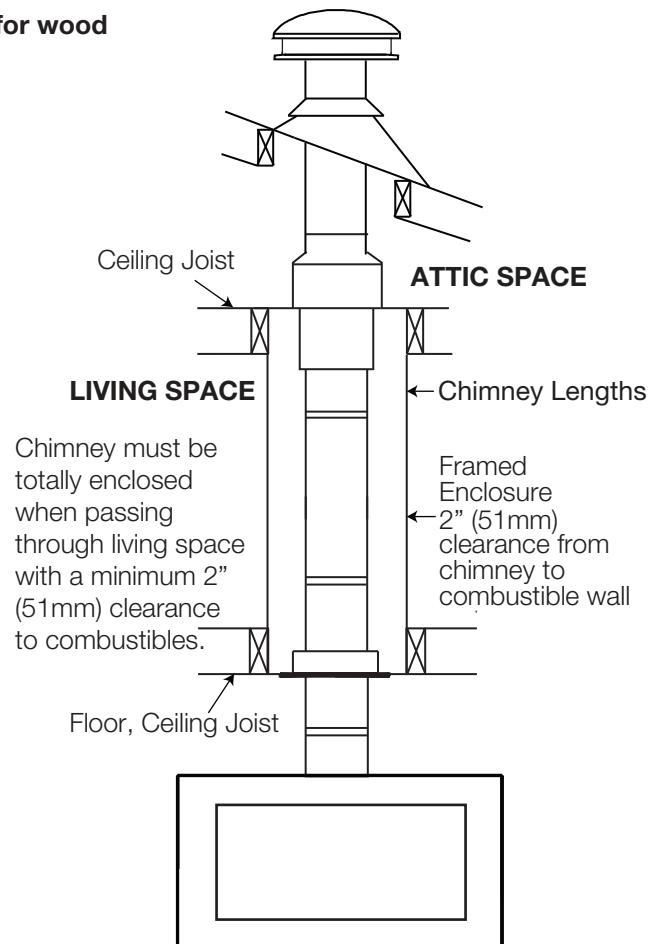
**NOTE:** When installing a 10" or 12" air cooled chimney, an NZAC10KT must be installed. See "Air Cooled Chimney Installation" section.

### 4.3 ADDING CHIMNEY SECTIONS

Add chimney sections, according to the manufacturers installation instructions. If the chimney system passes through an attic space a rafter radiation shield or attic insulation shield is required. The chimney must extend at least 3ft (0.9m) above its point of contact with the roof and at least 2ft (0.6m) higher than any wall, roof or building within 10ft (3.1m). If the chimney extends more than 5ft (1.5m) above the roof, it must be secured using a roof brace or guide wires. A raincap must be installed to avoid internal damage and corrosion.



**NOTE:** This illustration is for wood appliances only.



## 4.4 OFFSET CHIMNEY INSTALLATION

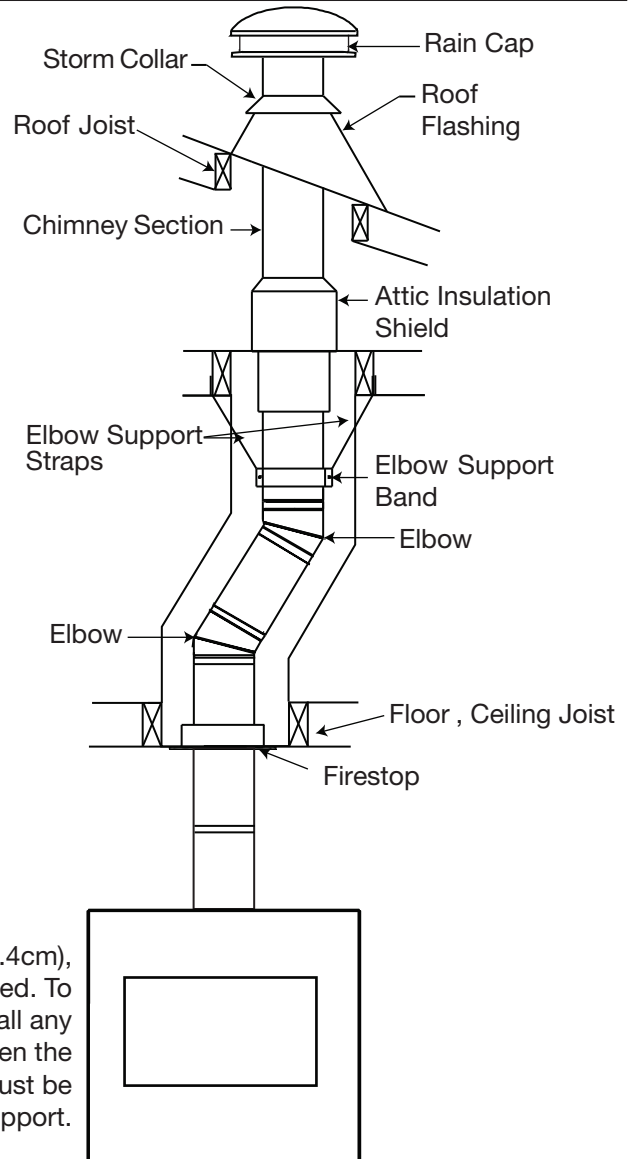
**! WARNING**

**CHIMNEY SECTIONS INSTALLED BETWEEN AN OFFSET AND RETURN REQUIRE STRUCTURAL SUPPORT TO REDUCE OFF-CENTER LOADING AND TO PREVENT CHIMNEY SECTIONS FROM SEPARATING AT THE CHIMNEY JOISTS.**

**THE CHIMNEY SHOULD NOT BE BUILT WITH AN OFFSET ANGLE IN EXCESS OF 45° IN CANADA AND 30° IN USA. DO NOT COMBINE OFFSET CHIMNEY COMPONENTS TO EXCEED THESE ANGLES.**

The first flue offset closest to the top of the appliance must be a minimum distance of 12" (30.5cm) from the top of the appliance.

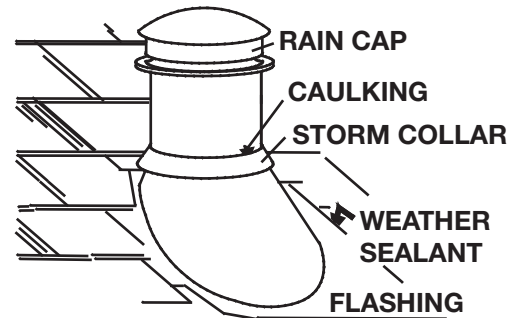
Attach an elbow to the chimney section, angled toward the offset. Secure according to chimney manufacturer's instructions. Chimney sections must be adequately secured one to the other to ensure they do not separate. To achieve the minimum offset, attach and secure a second elbow. To achieve longer offsets, you may install any available length of chimney pipe between the elbows. Supports must be used on the first vertical chimney section after a return elbow.



If the offset length is more than 36" (91.4cm), an intermediate support must be employed. To achieve longer offsets, you may install any available length of chimney pipe between the elbows. The intermediate support must be used in conjunction with an offset support.

## 4.5 INSTALLING FLASHING AND STORM COLLAR

The following are generic installation instructions for installing the flashing around a chimney. Installation of all types of factory-built chimney systems is to be in accordance with the chimney manufacturer's installation instructions. Remove the nails from the shingles above and to the sides of the chimney. Place the flashing over the chimney pipe and slide underneath the sides and upper edge of the shingles. Ensure that the chimney pipe is properly centered within the flashing, giving a 3/4" (19.1mm) margin all around. Fasten to the roof on the top and sides. DO NOT NAIL through the lower portion of the flashing. Make weather-tight by sealing with caulking. Where possible, cover the sides and top edges of the flashing with roofing material. Apply waterproof caulking, provided with the flashing, around the chimney, 1" (25.4mm) above the top of the flashing and push the storm collar down into the caulking. Insert a rain cap onto the top of the last chimney section.



## 4.6 AIR COOLED CHIMNEY INSTALLATION

Any air cooled chimney 10" (254mm) or 12" (30.5cm) in diameter listed to CAN/ULC-S604 for Canada or UL-103 for the United States may be installed. Any air cooled chimney selected for use MUST have provisions to directly feed outside air to the corresponding anchor plate via sealed housing; for example, the NZAC10KT that has been developed specifically for the use with 10" DuraVent DuraChimney II.

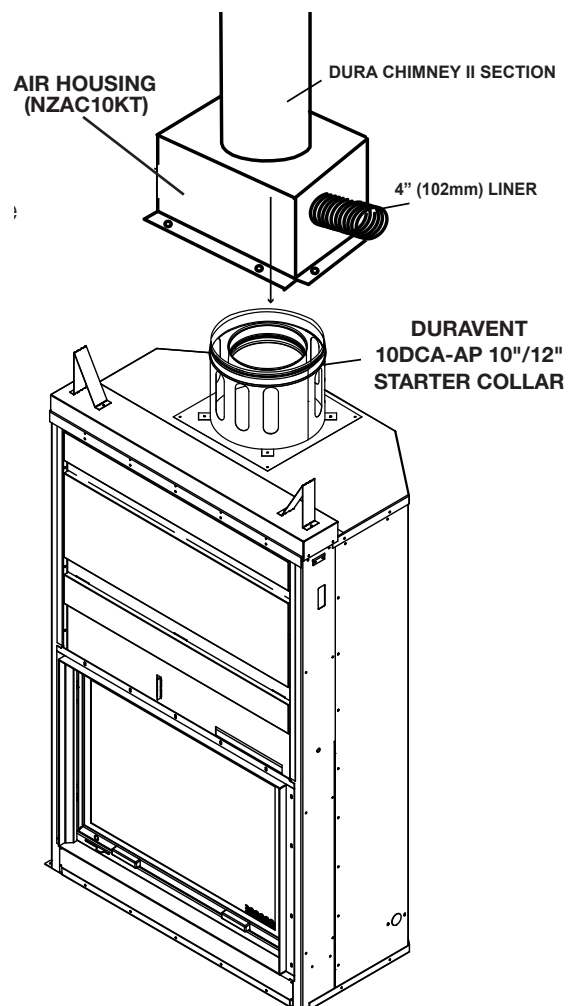
1. Install the start collar using the gasket provided over the flue and fasten to the top of the fire-place.
2. Slide the air housing onto the first section of the chimney and secure the chimney to the starter collar.
3. Slide the air housing down the chimney section and secure housing to the top of the appliance.
4. Connect the outside air connection for the chimney.

**NOTE:** Air slots in the start collar are to be completely covered by the air housing.

**NOTE:** Follow the chimney manufacturer's instructions for installing the chimney.

**NOTE:** Use 111KT outside air kit to connect to air housing. Maximum length of 4" (101.5mm) diameter liner is 20' (6m). If greater length is required, increase liner diameter to 6" (152.4mm).

**NOTE:** An air cooled chimney requires its own dedicated outside air supply with a minimum of 4" liner diameter (not to be shared with appliance outside air).



## 5.0 FRAMING

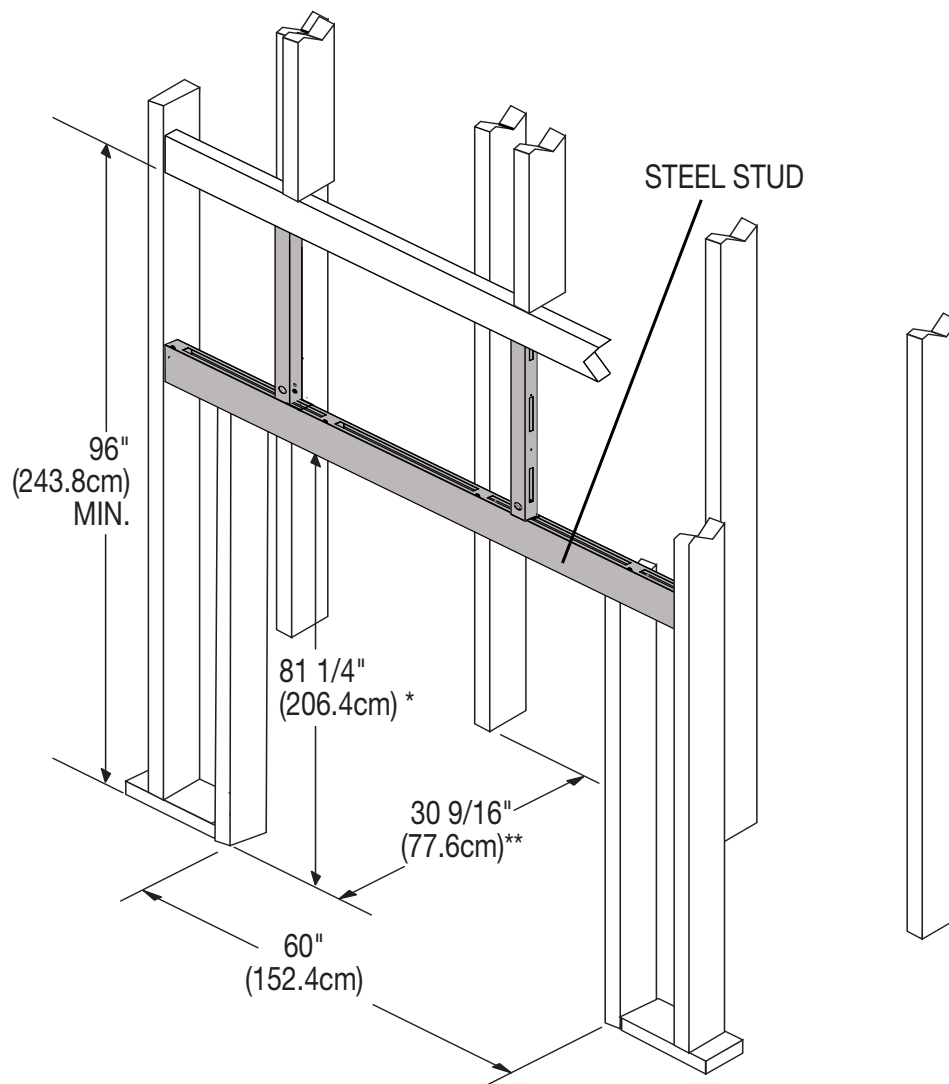
### ! WARNING

IN ORDER TO AVOID THE POSSIBILITY OF EXPOSED INSULATION OR VAPOUR BARRIER COMING IN CONTACT WITH THE APPLIANCE BODY, IT IS RECOMMENDED THAT THE WALLS OF THE APPLIANCE ENCLOSURE BE "FINISHED" (I.E.: DRYWALL / SHEETROCK), AS YOU WOULD FINISH ANY OTHER OUTSIDE WALL OF A HOME. THIS WILL ENSURE THAT CLEARANCE TO COMBUSTIBLES IS MAINTAINED WITHIN THE CAVITY.

DO NOT BUILD SHELVES OR CUPBOARDS INTO THE AREA ABOVE THE APPLIANCE.

OBJECTS PLACED IN FRONT OF THE APPLIANCE MUST BE KEPT A MINIMUM OF 48" (121.9cm) AWAY FROM THE FRONT FACE OF THE APPLIANCE.

**NOTE :** Use metal studs wherever non-combustible facing is required.



\* Allow for finished floor and hearth thickness when setting these dimensions.

\*\* When constructing the enclosure allow for finishing material thickness and to maintain clearances.

## 5.1 FINISHING MATERIAL

**! WARNING**

SCREWS USED TO FASTEN FINISHING MATERIALS TO THE FACE OF THE APPLIANCE ABOVE THE GUILLOTINE SCREEN AND DOOR MUST NOT PENETRATE MORE THAN 1/2" (13MM) INTO THE SHEET METAL FRONT PANELS. REFER TO THE "DIMENSIONS" SECTION FOR SPECIFIC REQUIREMENTS.

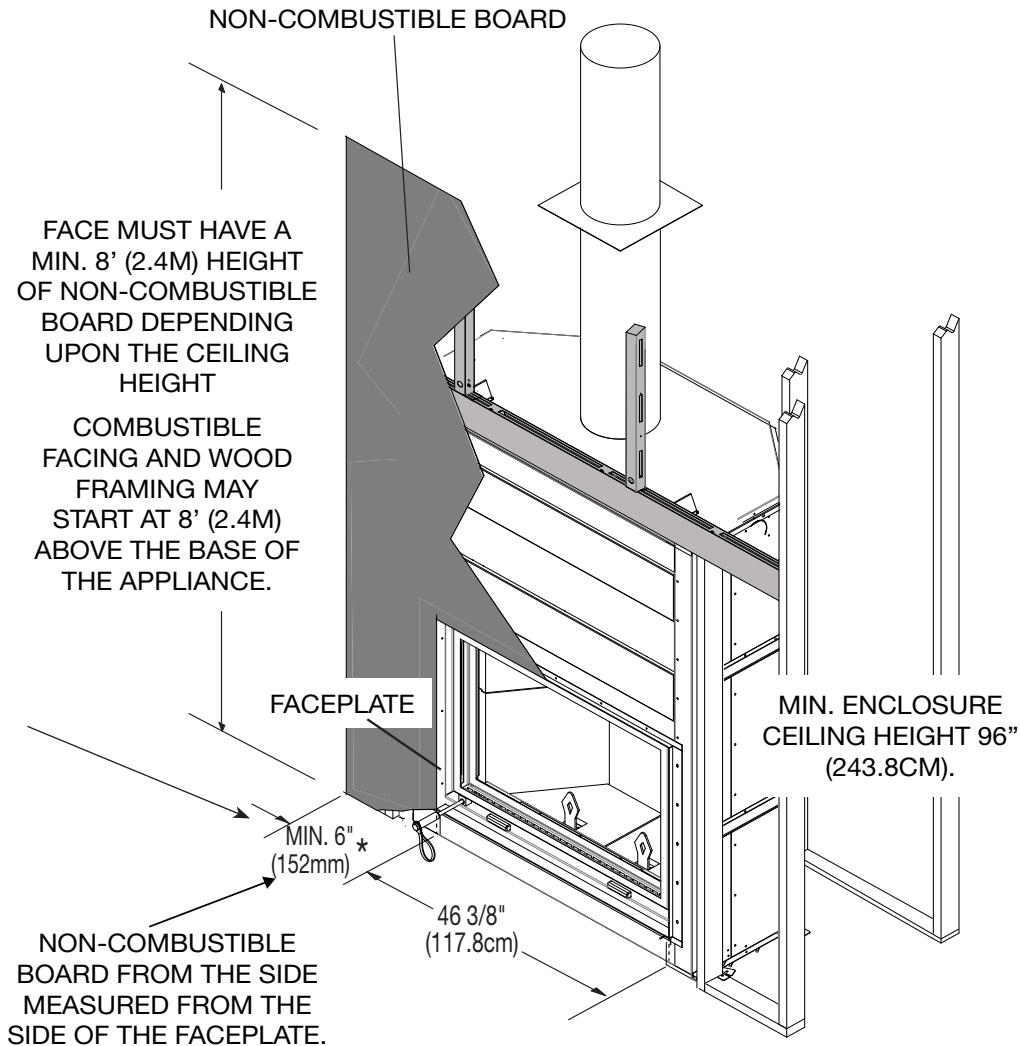
DO NOT PACK AIR SPACES WITH INSULATION OR OTHER MATERIALS.

USE ONLY A NON-COMBUSTIBLE MATERIAL TO FINISH THE FACE OF THE APPLIANCE. A NON-COMBUSTIBLE MATERIAL SUCH AS CEMENT BOARD IS REQUIRED FOR THIS PURPOSE.

ABOVE 8' (2.4M), COMBUSTIBLE FINISHING MATERIALS MAY BE USED ON THE FRONT FACE (MEASURED APPLIANCE FROM BASE OF UNIT).

DO NOT INSULATE AROUND THE APPLIANCE.

**NOTE :** Before completely closing up the enclosure, ensure the air control, flue damper, and door/ screen assemblies perform as intended.

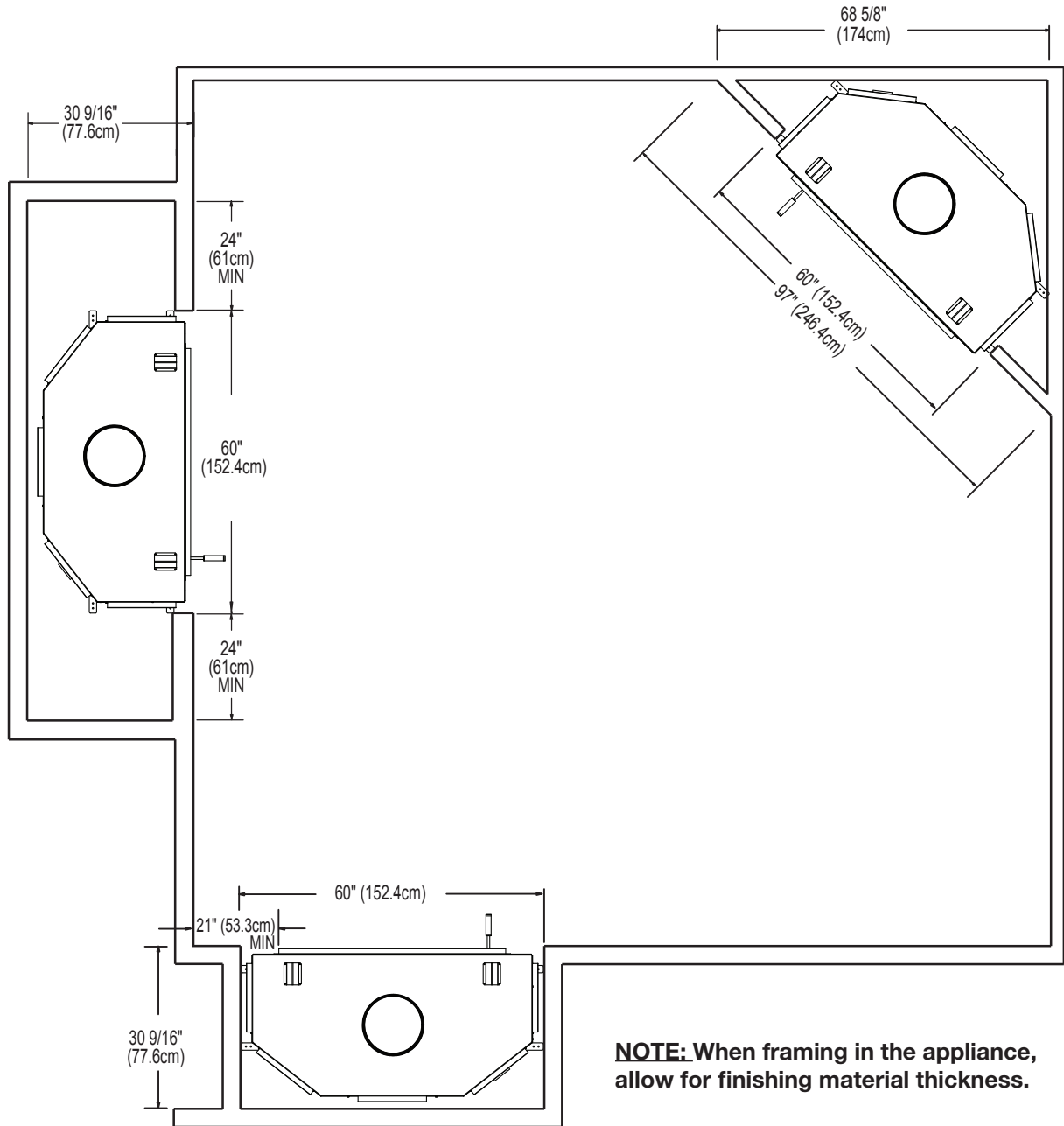


\* 7 1/2" (190.5mm) is recommend to meet centre of slip studs.

**5.2 MINIMUM CLEARANCE TO COMBUSTIBLES**

| <b>Framed Enclosure</b>                     |   |
|---|---|
| Rear and Sides of the appliance             | - 0" (0mm) to stand-offs                          |
| Ceiling, enclosure or in front of appliance | - 96" (243.8cm) from the base of the appliance    |
| Chimney                                     | - 2" (51 mm) (follow manufacturer's instructions) |

**5.3 MINIMUM ENCLOSURE CLEARANCES**



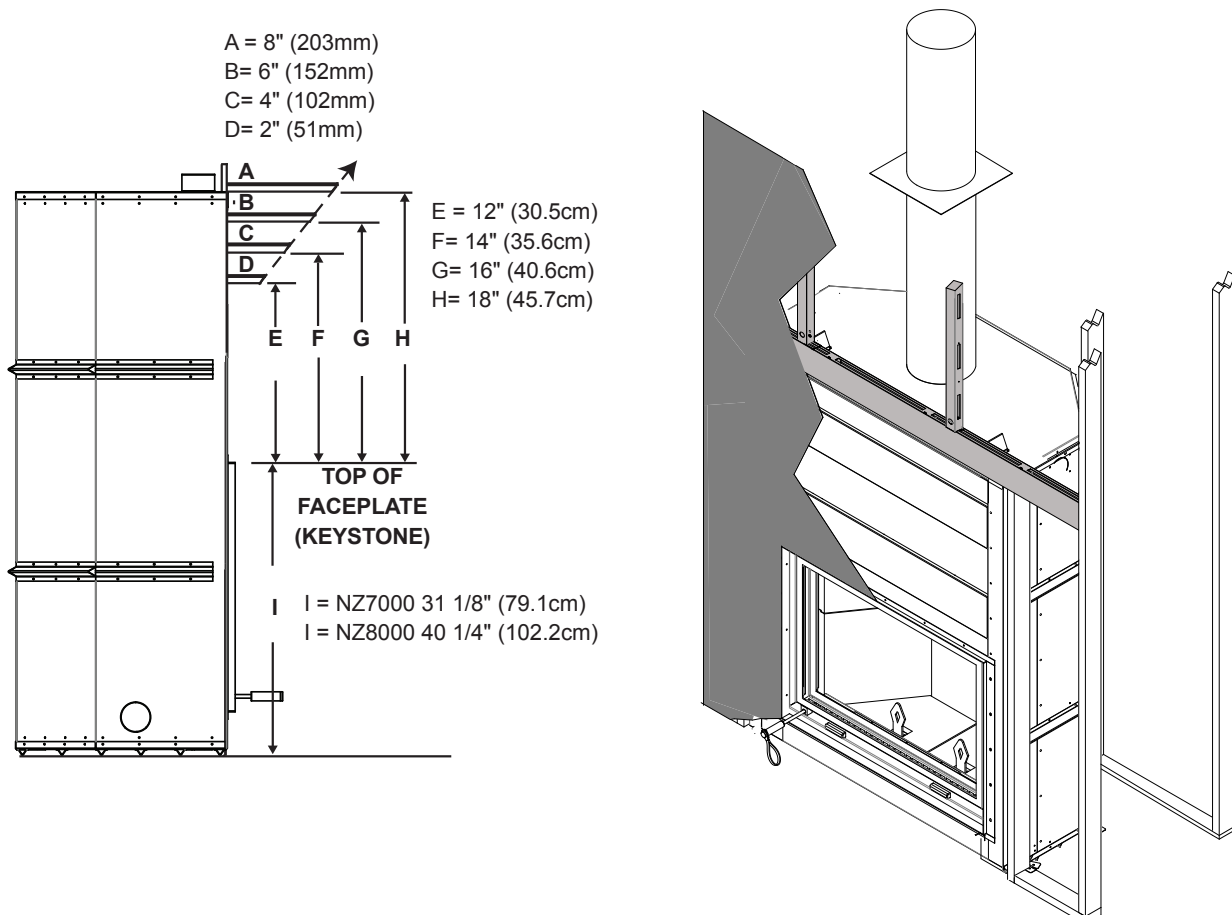
## 5.4 MINIMUM MANTEL CLEARANCES

**! WARNING**

**RISK OF FIRE, MAINTAIN ALL SPECIFIED AIR SPACE CLEARANCES TO COMBUSTIBLES. FAILURE TO COMPLY WITH THESE INSTRUCTIONS MAY CAUSE A FIRE OR CAUSE THE APPLIANCE TO OVERHEAT. ENSURE ALL CLEARANCES (I.E. BACK, SIDE, TOP, VENT, MANTEL, FRONT, ETC.) ARE CLEARLY MAINTAINED.**

**WHEN USING PAINT OR LACQUER TO FINISH THE MANTEL, THE PAINT OR LACQUER MUST BE HEAT RESISTANT TO PREVENT DISCOLOURATION.**

An optional combustible mantel must be a minimum of 12" (30.5cm) above the top of the faceplate and not to extend more than 2" (51mm) from the surface. See chart below for further information.





## 6.0 FINISHING

### ! WARNING

USE ONLY A NON-COMBUSTIBLE MATERIAL TO FINISH THE FACE OF THE APPLIANCE. A NON-COMBUSTIBLE MATERIAL SUCH AS CEMENT BOARD IS REQUIRED FOR THIS PURPOSE.

VENTILATION OPENINGS ARE RECOMMENDED FOR ALL ENCLOSURES.

ABOVE 8' (2.4M) COMBUSTIBLE FINISHING MATERIALS MAY BE USED ON THE FRONT FACE.

DO NOT INSULATE AROUND THE APPLIANCE.

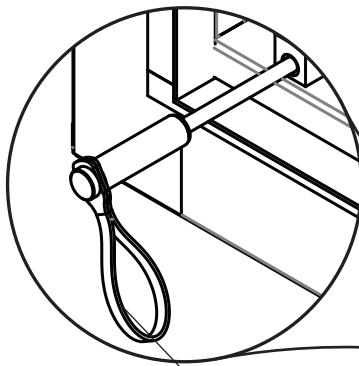
EN

### 6.1 DOOR & SCREEN OPERATION

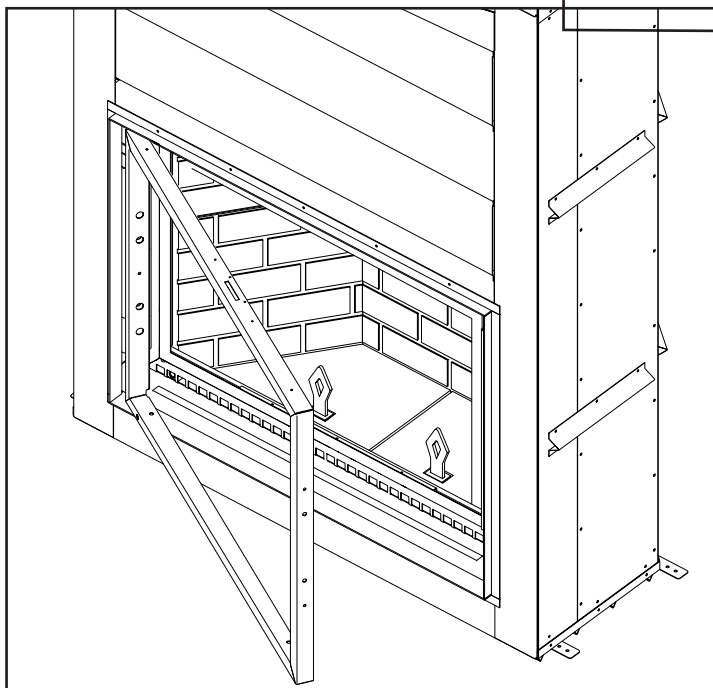
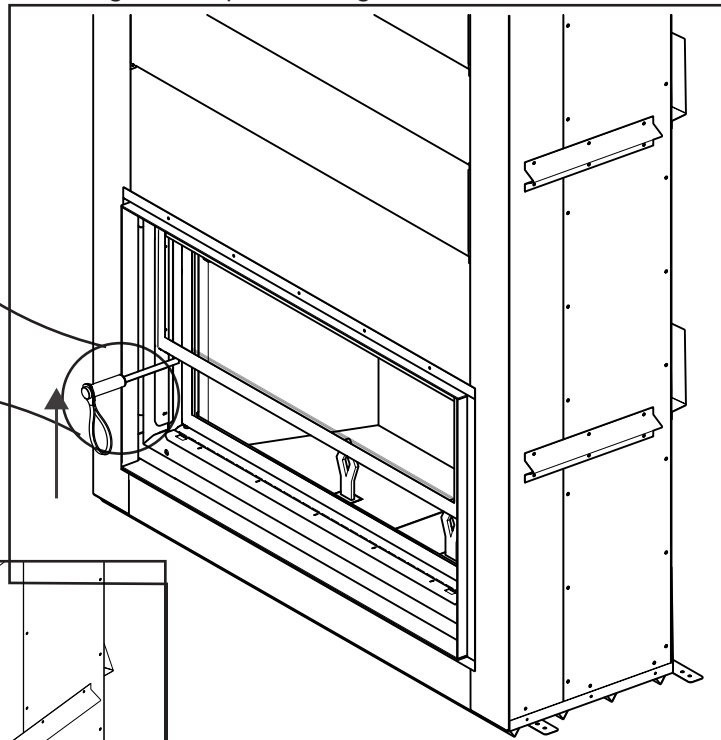
**NOTE:** The appliance should be operated with either the glass or screen door closed, other than when loading wood.

Insert tether into screen and glass door receiver bottom left corner to raise and lower the door. When not in use, hang tether on tool set.

To swing open the glass door, lift the latch on the right side up and swing the door outward.



TETHER



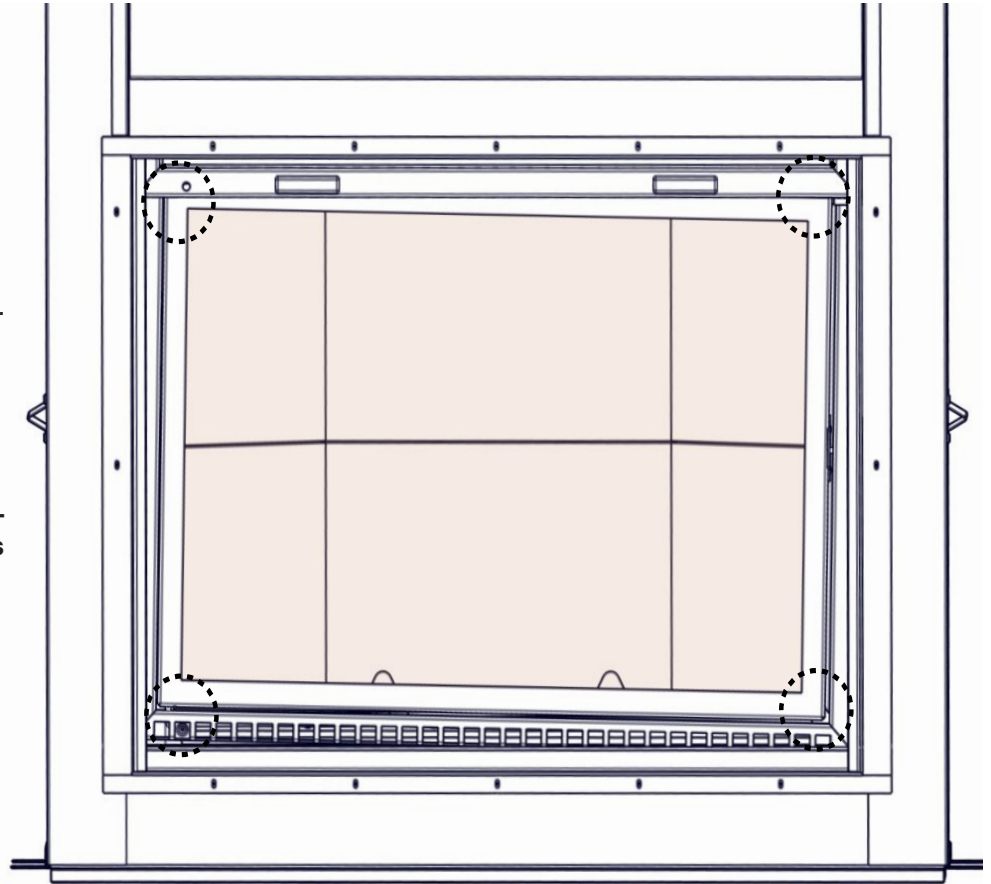
**NOTE:** To prevent the rapid rise of the doors, since they are balanced with balance weights, it is recommended to secure the cable on the top of the door frame when removing the door or screen frames for service

## 6.2 DOOR LEVEL ADJUSTMENT

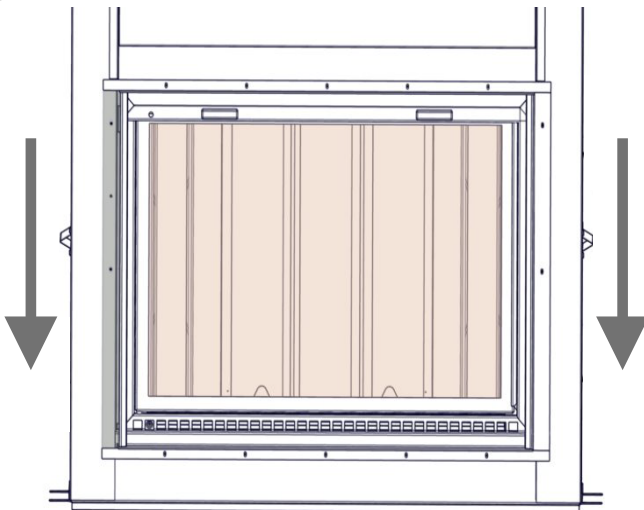
**! WARNING****DO NOT USE SUBSTITUTE MATERIALS.****GLASS MAY BE HOT, DO NOT TOUCH GLASS UNTIL COOLED.**

Door adjustment may be necessary if door is not level.

**NOTE :** Door adjustment is strictly trial and error. You may need to perform this adjustment a few times until the desired door angle is attained.

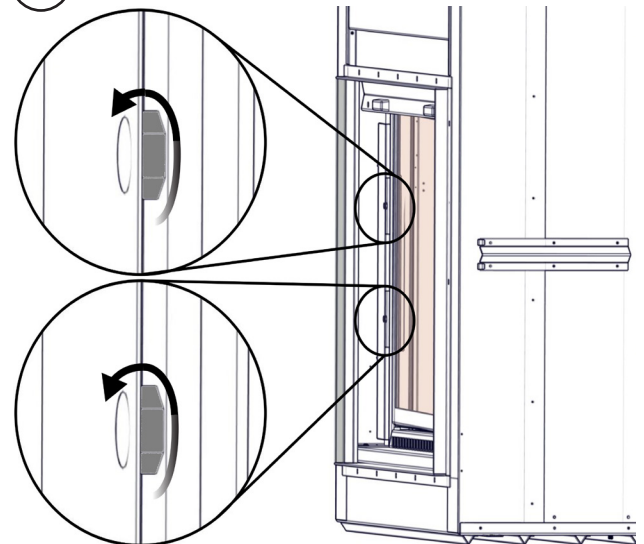


1

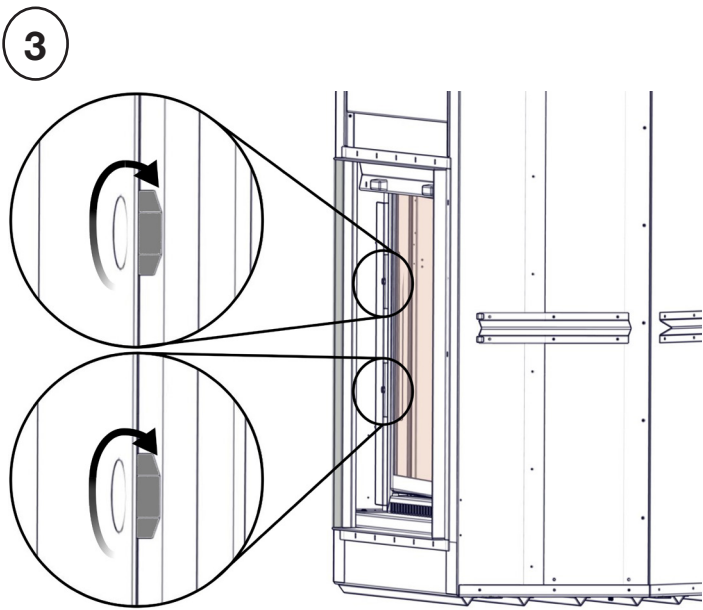


Lower the door and shim the corner that is resting on the hearth approximately half the gap of the opposing side.

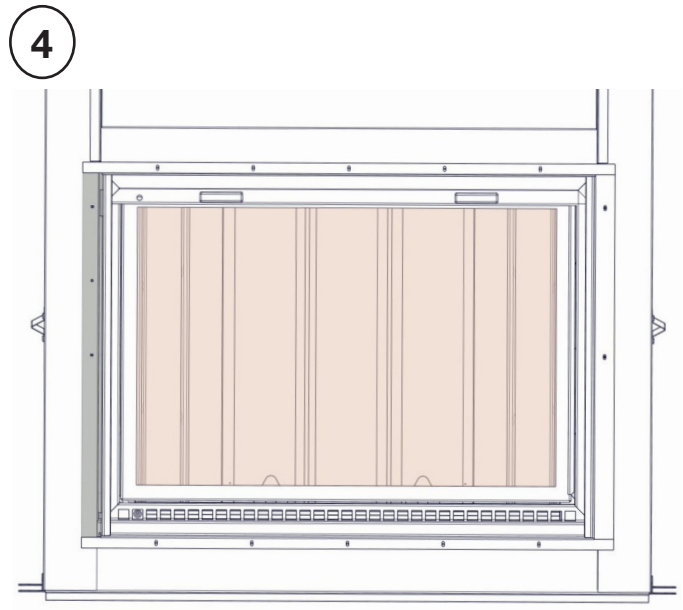
2



Loosen top and bottom screws on the left side of door frame. Pull the high side down to touch the hearth.

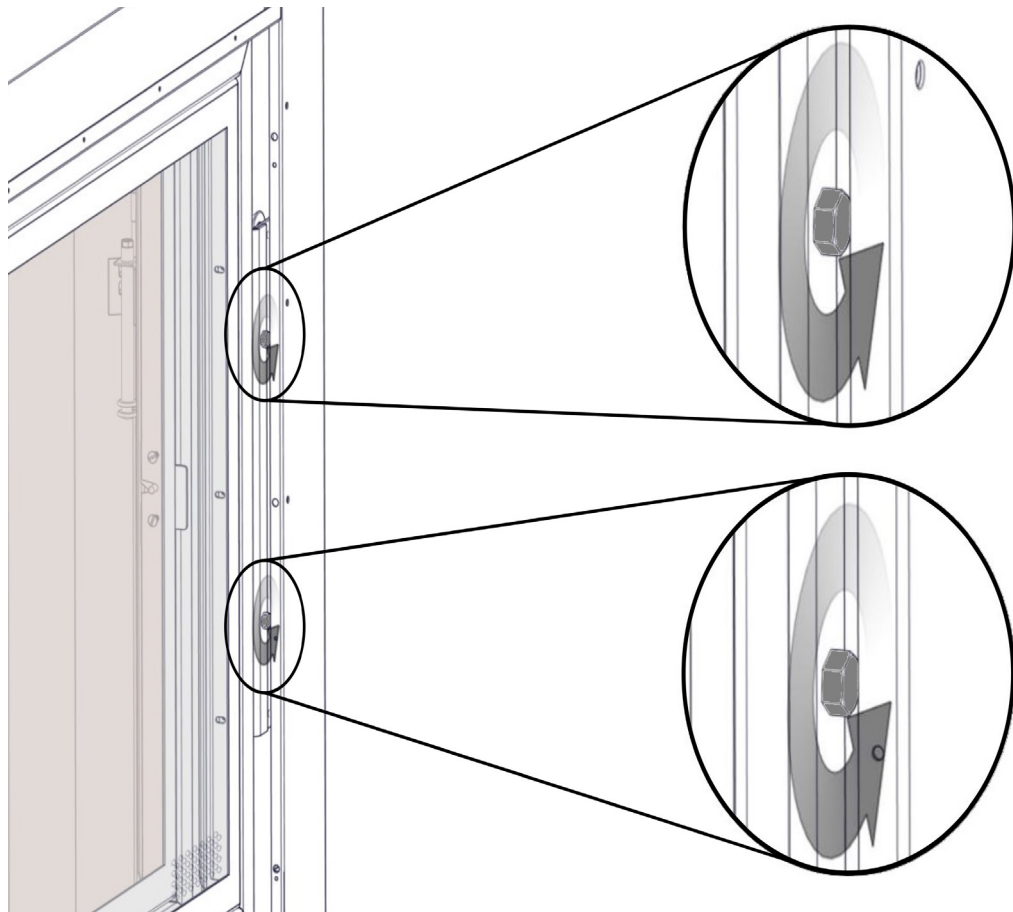


Tighten the two screws on the side of the door frame.



Ensure door is level and screws are secured. Repeat as necessary.

**NOTE :** The safety barrier is also equipped with screws to enable level adjustment. If necessary, follow the "Door Level Adjustment" process instructions using the screws on the right side of the safety barrier frame to adjust.



## 6.3 DOOR GLASS REPLACEMENT

EN

**! WARNING****DO NOT USE SUBSTITUTE MATERIALS.****GLASS MAY BE HOT, DO NOT TOUCH GLASS UNTIL COOLED.****CARE MUST BE TAKEN WHEN REMOVING AND DISPOSING OF ANY BROKEN DOOR GLASS OR DAMAGED COMPONENTS. BE SURE TO VACUUM UP ANY BROKEN GLASS FROM INSIDE THE APPLIANCE BEFORE OPERATION.****DO NOT STRIKE, SLAM OR SCRATCH GLASS. DO NOT OPERATE APPLIANCE WITH GLASS REMOVED, CRACKED, BROKEN OR SCRATCHED.**

- A. Lift the screen up into the appliance.
- B. Lower the glass door down and unlatch. Swing the glass door open.
- C. Unscrew the top and bottom retainers inside door frame. **(FIG. 1)**
- D. Remove glass from door frame. **(FIG. 2)**
- E. Center and apply gasket to the edge of glass. Ensure gasket is a continuous loop around the perimeter of the replacement glass. **(FIG. 3)**
- F. Reinstall glass inside the door frame. **(FIG. 4)**
- G. Reposition top and bottom retainers using screws removed in Step C. **Ensure retainer is in position correctly. (FIG. 5)**

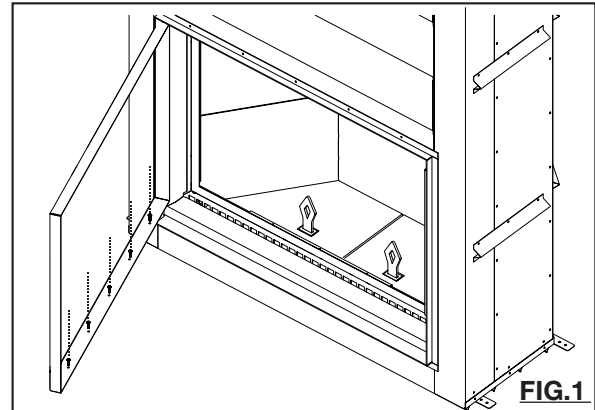


FIG.1

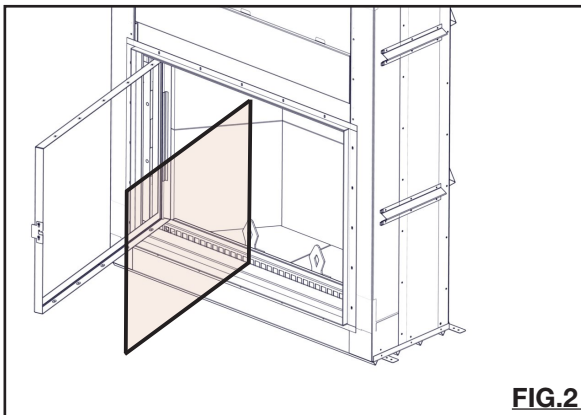


FIG.2

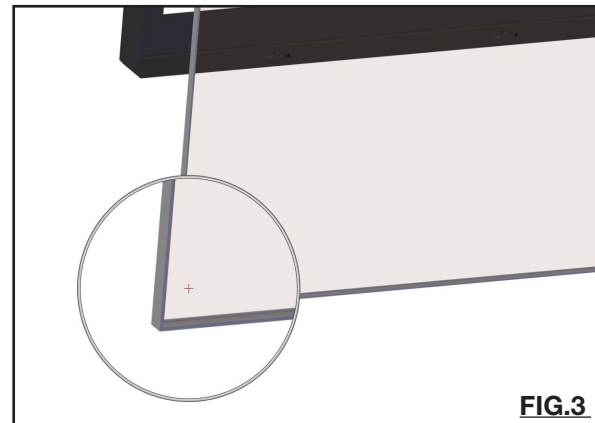


FIG.3

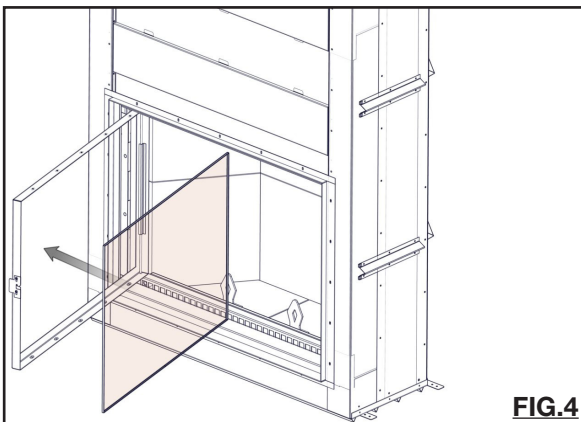


FIG.4

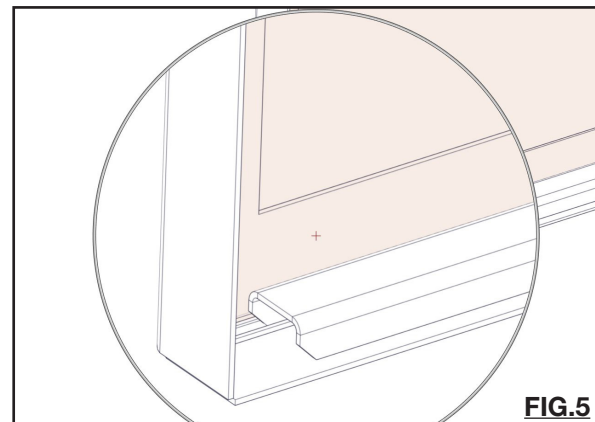


FIG.5

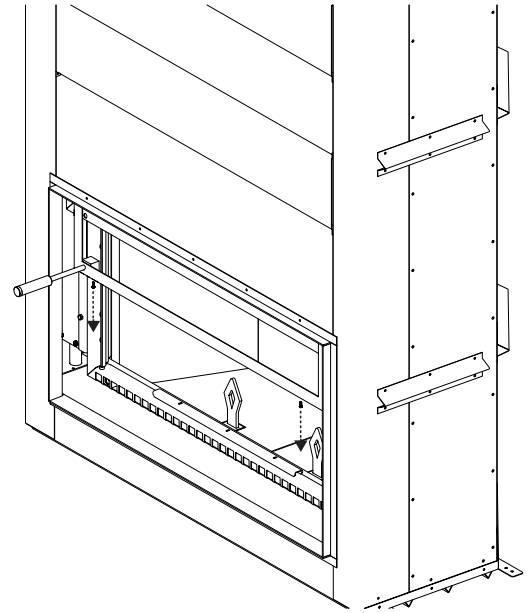
## 6.4 SCREEN REPLACEMENT

**NOTE:** Removing the screen will result in the screen immediately rising. Use caution. It is recommended to have another person assist in holding the screen door while the screen frame is being removed.

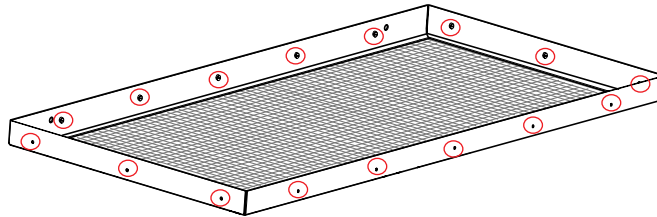
- A. Insert the handle and lift the screen slightly up to remove the 2 screws on the bottom inside of the screen frame. **(FIG. 1)**
- B. Remove the 10 top and bottom screws and the 6 side screws. **(FIG. 2)**
- C. Remove the screen from the frame and replace.
- D. Reverse these steps to reinstall the screen frame onto the appliance.
- E. If the screen door becomes unbalanced, refer to "BALANCE WEIGHT ADJUSTMENT" section.

**NOTE:** Do not leave the doors slightly open. Ensure your balance weights are balanced and the doors close properly.

**FIG 1:**

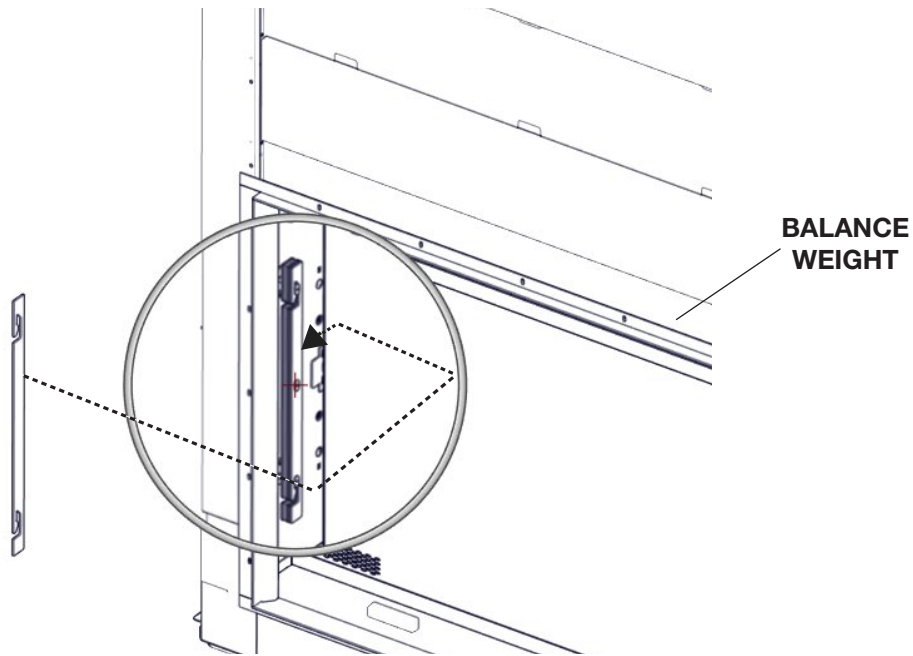


**FIG 2:**

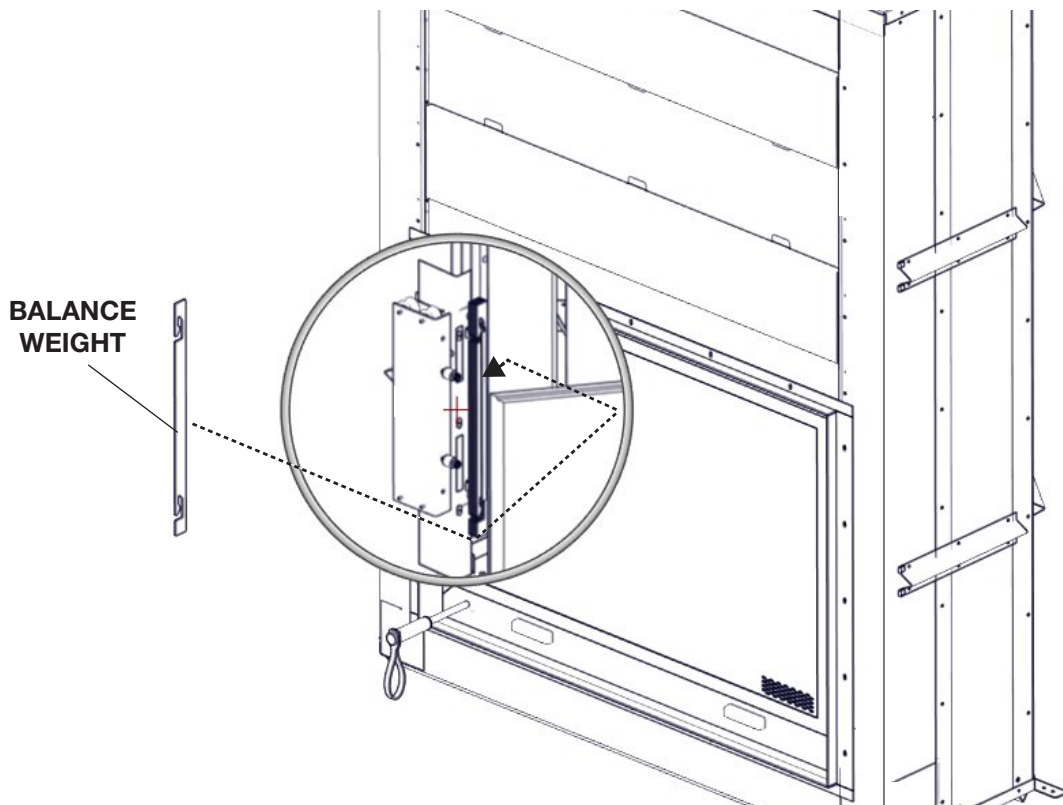


## 6.5 BALANCE WEIGHT ADJUSTMENT

Balance weights have been added to this appliance to counter the weight of the guillotine at the rear of the appliance. They stabilize the balance of the screen door and glass door movement. If the glass door or screen door become unbalanced (falling or rising rapidly), it is important to adjust the balance weight of the doors to ensure they perform properly.



The screen door balance weights are located on the main frame on the inside right of the screen frame. Remove or add as required to balance.



The glass door balance weights are located on the outer glass frame on the left side. Remove or add as required to balance.

## 6.6 FIREBRICK INSTALLATION AND DAMPER OPERATION

**! WARNING**

OPERATION OF THE APPLIANCE WITHOUT THE FIREBRICKS CAN RESULT IN EXCESSIVE TEMPERATURES THAT COULD DAMAGE THE APPLIANCE, CHIMNEY AND THE SURROUNDING ENCLOSURE.

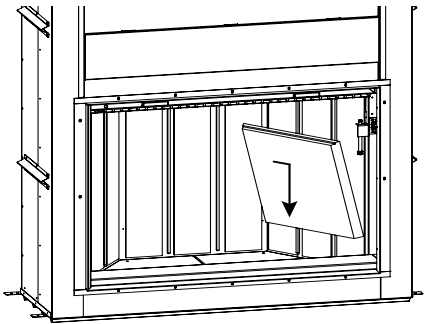
EN

## 6.6.1 FIREBRICK INSTALLATION

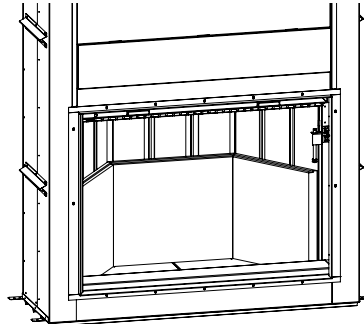
**NOTE:** Ensure fibre panels set in behind brick are in good condition before installing firebrick. If fibre panels need to be replaced, hold panels in position or secure with masking tape until fire brick is installed.

**Proper Installation of Side Panels:**

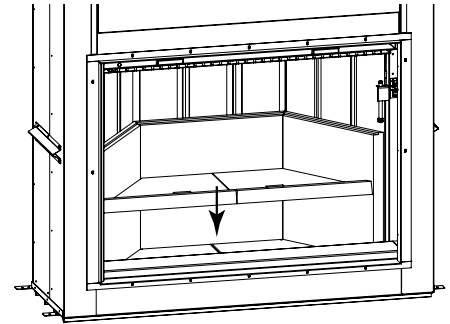
Side panels will have two distinct angles on either side of each panel. The shallow angle should face the outside of the appliance. The steeper angle should face the inside of the appliance and match the adjacent panel.



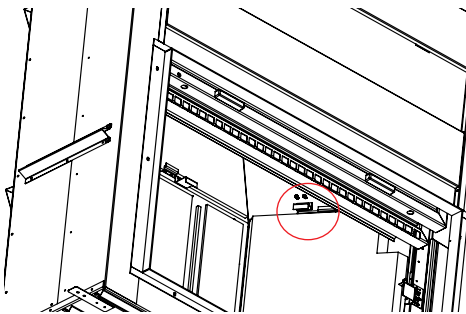
**A.** Tilt and install the right rear firebrick against the wall.



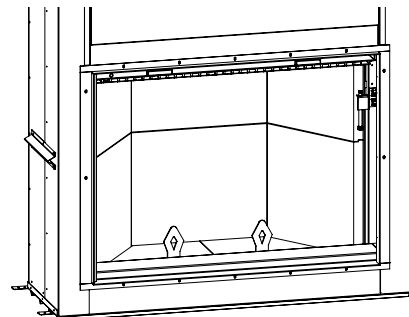
**B.** Install the middle and left rear firebricks.



**C.** Install the bottom firebricks to aid securing the rear firebricks against the wall.



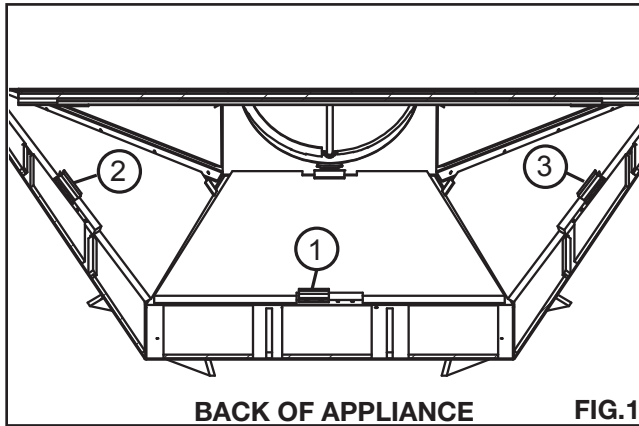
**D.** Tilt the top right firebrick and secure under the retaining bracket.



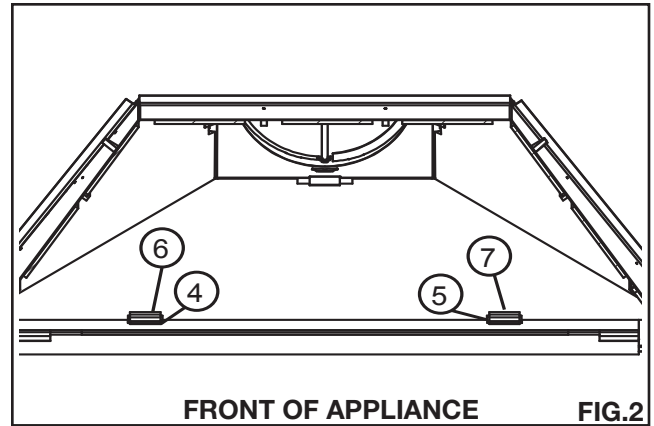
**E.** Install the remaining top firebricks, securing under the retaining brackets. Install the andirons into the bottom firebricks.

## 6.7 SMOKE CHAMBER INSULATION PANEL REPLACEMENT

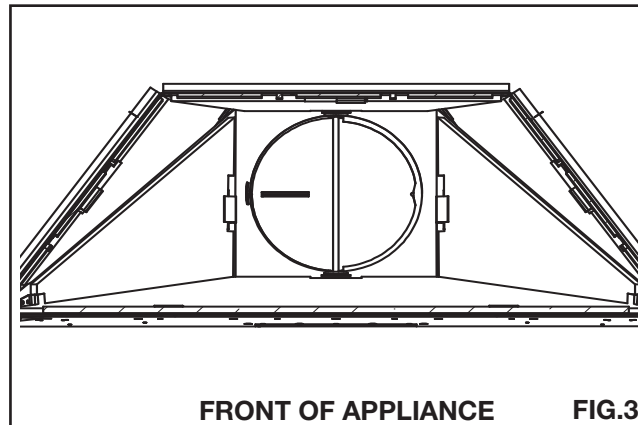
**NOTE:** For clarity purposes, some parts of the appliance have been hidden. The illustrations below are of views looking up into the smoke chamber.



- A.** Remove screws from brackets and slide rear panel (1) out of smoke chamber. Repeat for both side panels (2, 3) (**FIG.1**).



- B.** Remove screws from lower brackets and remove front lower panel (4, 5). Then remove screws from upper brackets (6, 7) and remove front upper panel (**FIG.2**).



- C.** Remove screws from lower side brackets and remove the side upper panels (**FIG.3**)

**NOTE:** To ease installation, it is recommended to loosely install the side and front panel brackets in place then install panels and tighten fasteners to secure.

- D.** Slide top panel into smoke chamber and install the 4 brackets removed in Step C. (**FIG.3**)  
**E.** Slide front upper panel into smoke chamber then front lower panel and install brackets. (**FIG.2**)  
**F.** Slide side panels then rear panel into smoke chamber and install brackets. (**FIG.1**)

**NOTE:** Smoke chamber insulation panels are fragile. Handle with care.



## 7.0 SELECTING WOOD

### ! WARNING

**THIS APPLIANCE IS DESIGNED TO BURN NATURAL WOOD ONLY. DO NOT BURN TREATED WOOD, COAL, CHARCOAL, COLOURED PAPER, CARDBOARD, SOLVENTS OR GARBAGE. THIS APPLIANCE HAS NOT BEEN TESTED WITH AN UNVENTED GAS LOG SET. TO REDUCE RISK OF FIRE OR INJURY, DO NOT INSTALL AN UNVENTED GAS LOG SET INTO THE APPLIANCE.**

**HIGHER EFFICIENCIES AND LOWER EMISSIONS GENERALLY RESULT WHEN BURNING AIR DRIED SEASONED HARDWOODS, AS COMPARED TO SOFTWOODS OR TOO GREEN OR FRESHLY CUT HARDWOODS.**

**BURNING WET UNSEASONED WOOD CAN CAUSE EXCESSIVE CREOSOTE ACCUMULATION. WHEN IGNITED IT CAN CAUSE A CHIMNEY FIRE THAT MAY RESULT IN A SERIOUS HOUSE FIRE.**

**DO NOT STORE FUEL WITHIN THE CLEARANCE TO COMBUSTIBLES, OR IN THE SPACE REQUIRED FOR RE-FUELING AND ASH REMOVAL.**

Before loading the appliance, ensure all required insulation and baffles (if equipped) are installed and situated properly. For maximum efficiency, when the appliance is thoroughly hot, load it fully to the specified maximum amount and burn at a medium low setting (if equipped). The whiteness of the bricks and the cleanliness of the glass are good indicators of your operating efficiency. Not enough heat is produced when only a few pieces of wood are burned or the wood may not burn completely.

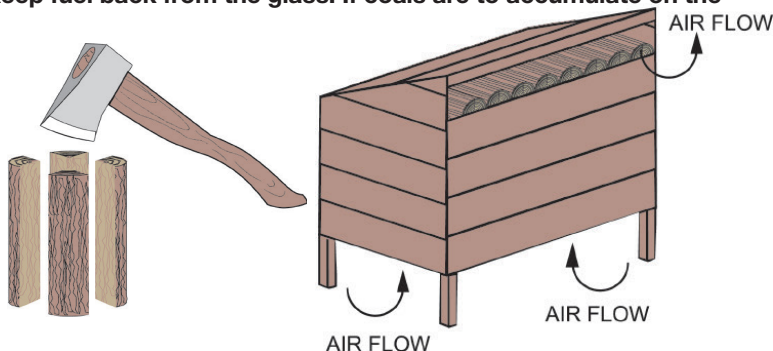
**NOTE:** When loading the appliance, ensure to keep fuel back from the glass. If coals are to accumulate on the front lip, there is a chance they will fall out when the door is opened.

#### TYPES OF WOOD

Both hardwood and softwood burn equally well in this appliance but hardwood is denser, will weigh more per cord and burn a little slower and longer.

Manufactured firelogs made by compressing 100% natural wood fibre can be safely used as fuel.

Do not use manufactured firelogs if they contain additives such as paraffin, wax, binders etc. Never burn more than two manufactured firelogs at a time.



#### MOISTURE CONTENT

Burn only dry, clean unpainted wood that has been seasoned. It produces more heat and less soot or creosote. Freshly cut wood contains about 50% moisture while after proper seasoning only about 20% of the water remains. As wood is burned, this water boils off consuming energy that should be used in heating. The wetter the wood, the less heat is given off and the more creosote is produced. Dry firewood has cracks in the end of the grain.

#### STORING WOOD

Firewood should be split and stacked in a manner that allows for full air circulation and covered in early spring to be ready for burning that fall. Dry firewood has cracks in the end grain.

Cut the wood so that it will fit horizontally, front to back, making for easier loading and less of a likelihood that the wood will roll onto the glass.

Fuel for the appliance must not be stored closer than the required clearances to combustibles (heat sensitive material).

**NEVER STORE WOOD IN THE ASH PAN COMPARTMENT (if applicable).**

## 8.0 OPERATION

Expansion / contraction noises during heating up and cooling down cycles are normal and to be expected.

### **TIPS FOR BURNING:**

- Create a large fire to heat up the appliance before closing bypass door and adjusting to a slower burn.
- To create a large, quick burning fire, use small pieces of wood.
- For a lower, but extended burn, stack larger pieces of wood close together.
- For long burns, leave a 1" (25.4mm) - 2" (50.8mm) bed of ashes.
- Burn dry wood only.
- With the exception of overnight burns, create large, quick burning fires whenever possible. Smaller, slow burning fires using large logs will cause the glass to become dirty. Larger, quick burning fires using medium sized wood to refuel frequently are much more efficient.
- It is important to minimize visible smoke emitting from the chimney. Burning seasoned firewood, maintaining the appliance catalyst and following the operating instruction contained within this manual will ensure that visible smoke emissions are minimized.

### **DO'S**

- Verify with a moisture meter that wood contains no more than 20% moisture content.
- Burn several pieces of medium sized wood as they are better than a few big pieces.
- Clean chimney regularly.
- Refuel frequently using medium sized wood.
- "Fine Tune" the air settings (if applicable) for optimum performance.

### **DONT'S**

- Take ash out immediately. Let it accumulate to a depth of at least one inch. A good ash layer provides for a longer lasting and better burning fire.
- Burn wet wood with more than 20% moisture content.
- Close the door too soon or damper down too quickly.
- Burn one large log rather than two or three smaller, sized logs.
- Burn at continually "low setting" (if applicable), if glass door is constantly blackened. This means the firebox temperature is too low.

## 8.1 OPERATING SOUNDS AND SMELLS

It is normal during operation to hear creaking and/or ticking sounds as the metal plate components of the appliance expands and contracts. This may be present during both warm up and cool down periods.

During the break-in period (the first 2 or 3 fires) create only small, hot fires using kindling. This will allow the firebrick to cure. Do not be alarmed if small hairline cracks develop in the firebrick. This is a normal occurrence and does not pose a safety hazard. During this time the paint may also emit an odour as it cures and you may wish to open a door or window to alleviate the smell.

There are many different ways to start a fire, review the hints and warnings in this section to ensure the fire is started properly.

## 8.2 STARTING A FIRE

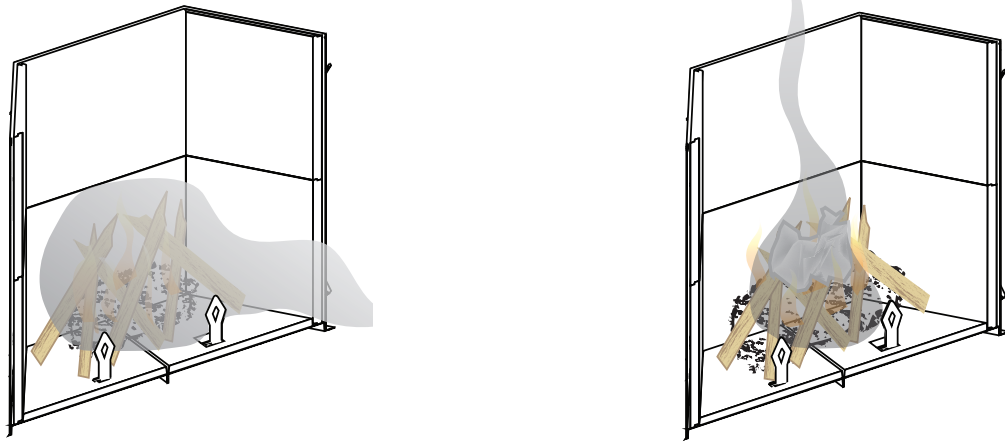
### ! WARNING

**ALWAYS OPERATE THIS APPLIANCE WITH EITHER THE GLASS DOOR OR SPARK SCREEN CLOSED. AFTER RE-FUELING, ALWAYS CLOSE EITHER THE GLASS DOOR OR THE SPARK SCREEN. ALWAYS WEAR GLOVES TO PREVENT INJURY.**

**NOTE:** Remove all sources of gasoline or other flammable vapours and liquids in the vicinity of this or other appliances prior to lighting.

Draft is the force which moves air from the appliance up through the chimney. The amount of draft in your chimney depends on the length of the chimney, local geography, nearby obstructions and other forces.

Inadequate draft may cause back-puffing into the room and may cause plugging of the chimney. Too much draft may cause an excessive temperature in the appliance, glowing red appliance parts or an uncontrollable burn which can all lead to a chimney fire or a permanent damage to the appliance.



## 8.3 FIRE EXTINGUISHERS / SMOKE DETECTORS & CARBON MONOXIDE DETECTORS

All homes with a solid fuel burning appliance should have at least one fire extinguisher in a central location, known to all, at least one smoke detector and carbon monoxide (CO) detector in the room containing the appliance. If the smoke detector sounds an alarm, correct the cause but do not de-activate or relocate the smoke detector. If the carbon monoxide detector sounds an alarm, immediately vent the area, evacuate and call your local fire department.

## 8.4 STARTING A FIRE (DAMPER OPEN)

**! WARNING**

**ALWAYS OPERATE THIS APPLIANCE WITH EITHER THE GLASS DOOR OR SPARK SCREEN CLOSED. AFTER RE-FUELING, ALWAYS CLOSE EITHER THE GLASS DOOR OR THE SPARK SCREEN. ALWAYS WEAR GLOVES TO PREVENT INJURY.**

**NEVER LEAVE CHILDREN UNATTENDED WHEN THERE IS A FIRE BURNING IN THE APPLIANCE.**

**NEVER USE GASOLINE-TYPE LANTERN FUEL, KEROSENE, CHARCOAL LIGHTER FLUID, OR SIMILAR LIQUIDS TO START OR "FRESHEN UP" A FIRE IN THIS APPLIANCE. KEEP ALL SUCH LIQUIDS WELL AWAY FROM THE APPLIANCE.**

**THIS APPLIANCE HAS NOT BEEN TESTED WITH ANY VENTED OR UNVENTED GAS LOG SET. TO REDUCE RISK OF FIRE OR INJURY, DO NOT INSTALL A VENTED OR UNVENTED GAS LOG SET INTO THIS APPLIANCE.**

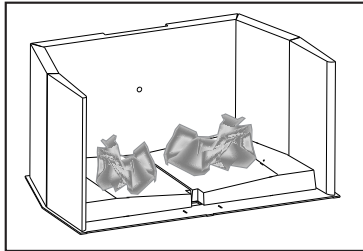
Remove all sources of gasoline or other flammable vapours and liquids in the vicinity of this or other appliances prior to lighting.

Use Solid wood, processed solid fire logs (or other specified type) fuel only.

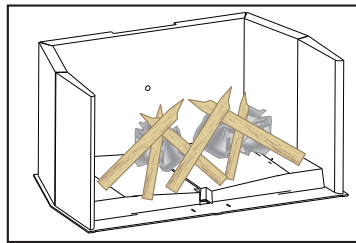
**WARNING:** Do not build fire too close to door glass. Do not poke or stir the logs while they are burning. Use only firelogs that have been evaluated for the application in fireplace and refer to firelog warnings and caution markings on packaging prior to use.

Use plenty of newspaper and kindling to ensure the appliance quickly reaches a proper temperature. Once the kindling is burning rapidly, place a few larger pieces of wood onto the fire.

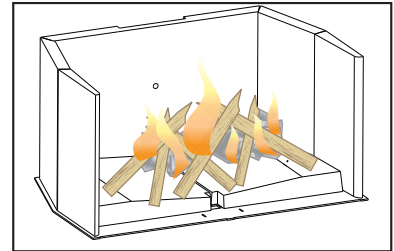
**Tip:** When first lighting a fire, if the smoke is not quickly drawn into the chimney, there may be a downdraft or cold air in the chimney. By first burning large amounts of crumpled newspaper, the chimney will get heated and the smoke will quickly vent up the chimney.



**A.** To start, a brisk fire is required. Roll up some newspaper (loosely crumpled), light it and place it near the appliance flue until the chimney begins to draw.



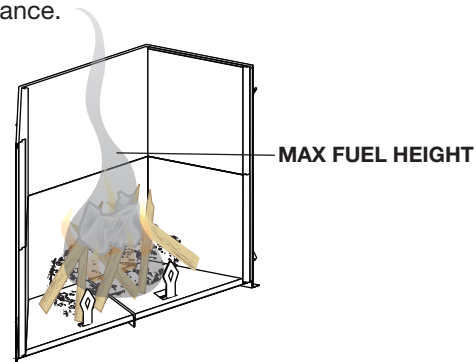
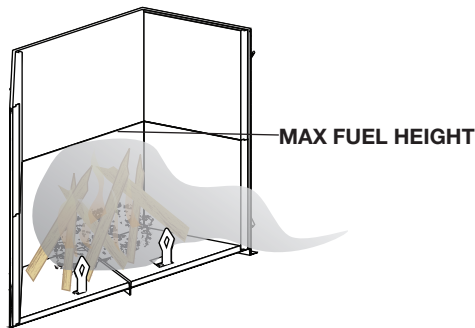
**B.** Cover with dry kindling.



**C.** Light the paper and when the kindling is burning add more fuel.

Draft is the force which moves air from the appliance up through the chimney. The amount of draft in your chimney depends on the length of the chimney, local geography, nearby obstructions and other forces.

Inadequate draft may cause back-puffing into the room and may cause plugging of the chimney. Too much draft may cause an excessive temperature in the appliance, glowing red appliance parts or an uncontrollable burn which can all lead to a chimney fire or a permanent damage to the appliance.



- Max fuel load 60lbs (27kg).
- Max fuel height, halfway up the firebox or to the top of the first firebrick.

## 8.5 SMOKING

A properly installed appliance should not smoke. If yours does, check the following:

- Has the chimney had time to get hot?
- Is the smoke passage blocked anywhere in the appliance, chimney connector or chimney?
- Is the room too airtight and the air intake not connected to the outside? Try with a window partly open.
- Is the smoke flow impeded by too long a horizontal pipe or too many bends?
- Is it a weak draft perhaps caused by a leaky chimney, a cold outside chimney, too large a diameter of a chimney, too short a chimney, or a chimney too close to trees or a higher roof?
- Is the moisture content of the wood greater than 20%?

## 8.6 RELOADING THE APPLIANCE



**BURNING WET, UNSEASONED WOOD CAN CAUSE EXCESSIVE CREOSOTE ACCUMULATION, WHICH WHEN IGNITED CAN CAUSE A CHIMNEY FIRE THAT MAY RESULT IN A SERIOUS HOUSE FIRE.**

When refuelling open the door slowly to prevent smoke spillage. Use a pair of long appliance gloves when feeding the fire. Keep a small steel shovel nearby to use as a poker and to remove ashes. Do not store wood within 4 feet (1.2m) of the appliance.

## 9.0 MAINTENANCE

### 9.1 ASH REMOVAL PROCEDURES

EN

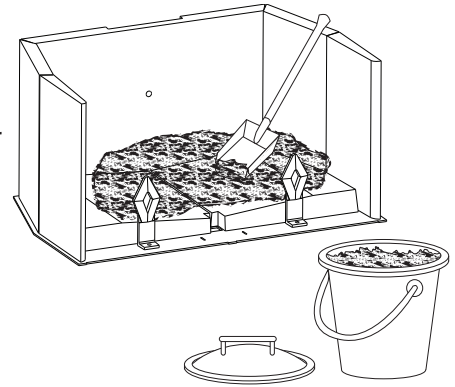
#### ! WARNING

**IMPROPER DISPOSAL OF ASHES RESULT IN FIRES. DO NOT DISCARD ASHES IN CARDBOARD BOXES, DUMP IN BACK YARDS, OR STORE IN GARAGES.**

**IF USING A VACUUM TO CLEAN UP ASHES, BE SURE THE ASHES ARE ENTIRELY COOLED. USING A VACUUM TO CLEAN UP WARM ASHES COULD CAUSE A FIRE INSIDE THE VACUUM.**

A bed of ashes approximately 1" (25mm) deep should be left on the firebox bottom to help maintain a hot charcoal bed. When the fire has burned down and cooled, remove any excess ashes. To remove the ash, follow the directions below.

- A. After the last coal has extinguished, let the appliance cool at least two hours.
- B. Open the appliance doors.
- C. Scoop the ash from the firebox into a container with a lid. Cover the container and move the container away from the appliance onto a suitable surface to ensure the ashes cool.
- D. Dispose of the ashes.



**NOTE:** Ashes should be placed in a metal container with a tight-fitting lid. The closed container of ashes should be placed on a non-combustible floor or on the ground well away from all combustible materials, pending final disposal. If the ashes are disposed of by burial or in soil or otherwise locally dispersed, they should be retained in the closed container until all cinders have thoroughly cooled.

### 9.2 CREOSOTE FORMATION AND REMOVAL

When wood is burned slowly, it produces tar and other organic vapors, which combine with expelled moisture to form creosote. The creosote vapors condense in the relatively cooler chimney flue of a slow-burning fire. As a result, creosote residue accumulates on the flue lining. When ignited this creosote makes an extremely hot fire.

The chimney connector and chimney should be inspected at least once every two months during the heating season to determine if a creosote buildup has occurred.

If creosote has accumulated it should be removed to reduce the risk of a chimney fire.

### 9.3 RUN-AWAY OR CHIMNEY FIRE

#### ! WARNING

**A CHIMNEY FIRE CAN PERMANENTLY DAMAGE YOUR CHIMNEY SYSTEM. THIS DAMAGE CAN ONLY BE REPAIRED BY REPLACING THE DAMAGED COMPONENT PARTS. CHIMNEY FIRES ARE NOT COVERED BY THE LIFETIME LIMITED WARRANTY.**

#### CAUSES:

- Using incorrect fuel, or small fuel pieces which would normally be used as kindling.
- Creosote build up in chimney.
- Leaving the door ajar too long and creating extreme temperatures as the air rushes in the open door.
- If equipped; burning your appliance with the ash plug not securely seated.

#### SOLUTIONS:

- Do not burn treated, painted, artificial, paper or processed wood logs, coal, charcoal, coloured paper or cardboard.
- Have chimney regularly cleaned.
- Be careful not to over-fire the appliance by leaving the door open too long after initial start-up. A thermometer on the chimney connector helps to indicate the appliance operating temperature.
- If equipped, always operate the appliance with the ash plug properly installed.

**IN CASE OF A CHIMNEY FIRE:**

- Close glass door and air control.
- Have a well understood plan for evacuation and a place outside for everyone to meet. Prepare to evacuate to ensure everyone's safety.
- Call local fire department. Have a fire extinguisher handy. Contact local authorities for further information on how to handle a chimney fire.
- After the chimney fire is out, clean and inspect the chimney or chimney liner for stress and cracks prior to lighting another fire. Also check combustibles around the chimney and the roof.

**9.4 CHIMNEY CLEANING**

Both the chimney and the appliance must be inspected and cleaned if necessary at least once a year. For serious wood burners, chimney cleaning must be done as needed to avoid chimney fires; the venting systems for controlled combustion appliances may need cleaning as often as once a month. These rates, however, depend on the burning habits of the individual operating the appliance. For example, it is possible to clog a solid fuel appliance chimney in a few days if slow, smoldering fires are burned and the chimney is cold.

Certain items and considerations are important in chimney cleaning:

- Proper tools should be used, including a brush specifically designed for chimney cleaning.
- The chimney dampers as well as the chimney should be cleaned.
- The appliance's firebox should be cleaned if needed.
- The chimney should be inspected and repairs made if needed, preferably by a qualified chimney sweep or mason.

**9.5 CARE OF GLASS****DO NOT CLEAN GLASS WHEN HOT! DO NOT USE ABRASIVE CLEANERS TO CLEAN GLASS.**

If the glass is not kept clean permanent discoloration and / or blemishes may result. Normally a hot fire will clean the glass. The most common reasons for dirty glass include: not using sufficient fuel to get the appliance thoroughly hot, using green or wet wood, closing the draft so far that there is insufficient air for complete combustion.

If it is necessary to clean the glass, buff lightly with a clean dry cloth and non-abrasive cleaner. Clean the glass after the first 10 hours of operation with a recommended appliance glass cleaner. Thereafter clean as required.

The glass is very strong but do not let burning fuel rest or fall against it and always close the door gently.

**NEVER FORCE IT SHUT!**

Do not operate the appliance with broken glass, as leakage of flue gases may result.

Contact you local authorized dealer / distributor for complete cleaning instructions.

If the glass should ever crack or break while the fire is burning, do not open the door until the fire is out. Do not operate the appliance until the glass has been replaced. Contact you local authorized dealer / distributor for replacement parts. **DO NOT SUBSTITUTE MATERIALS.**



## 10.0 REPLACEMENTS

### **WARNING**

**FAILURE TO POSITION THE PARTS IN ACCORDANCE WITH THIS MANUAL OR FAILURE TO USE ONLY PARTS SPECIFICALLY APPROVED WITH THIS APPLIANCE MAY RESULT IN PROPERTY DAMAGE OR PERSONAL INJURY.**

Contact your dealer for questions concerning prices and policies on replacement parts. Normally all parts can be ordered through your Authorized dealer / distributor.

**FOR WARRANTY REPLACEMENT PARTS, A PHOTOCOPY OF THE ORIGINAL INVOICE WILL BE REQUIRED TO HONOUR THE CLAIM.**

When ordering replacement parts always give the following information:

- Model & Serial Number of appliance
- Installation date of appliance
- Part number
- Description of part
- Finish

**PARTS, PART NUMBERS AND AVAILABILITY ARE SUBJECT TO CHANGE WITHOUT NOTICE.**

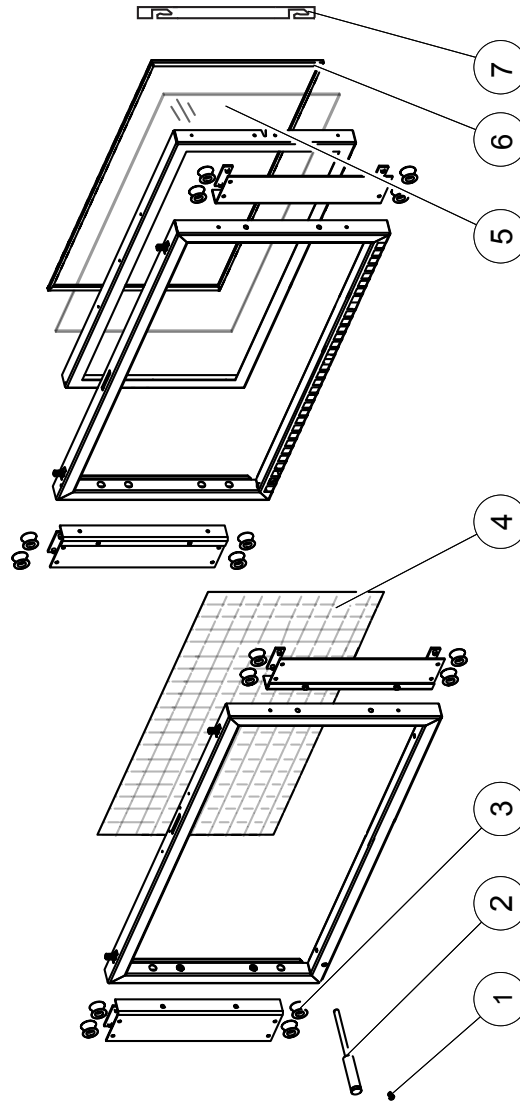
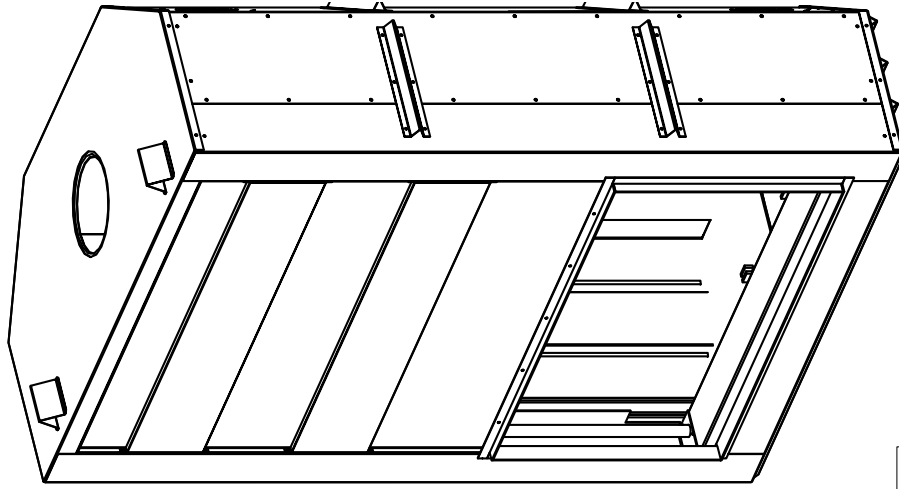
**PARTS IDENTIFIED AS STOCKED WILL BE DELIVERED WITHIN 2 TO 5 BUSINESS DAYS FOR MOST DELIVERY DESTINATIONS.**

**PARTS NOT IDENTIFIED AS STOCKED WILL BE DELIVERED WITHIN A 2 TO 4 WEEK PERIOD.**

**PARTS IDENTIFIED AS 'SO' ARE SPECIAL ORDER AND CAN TAKE UP TO 90 DAYS FOR DELIVERY.**



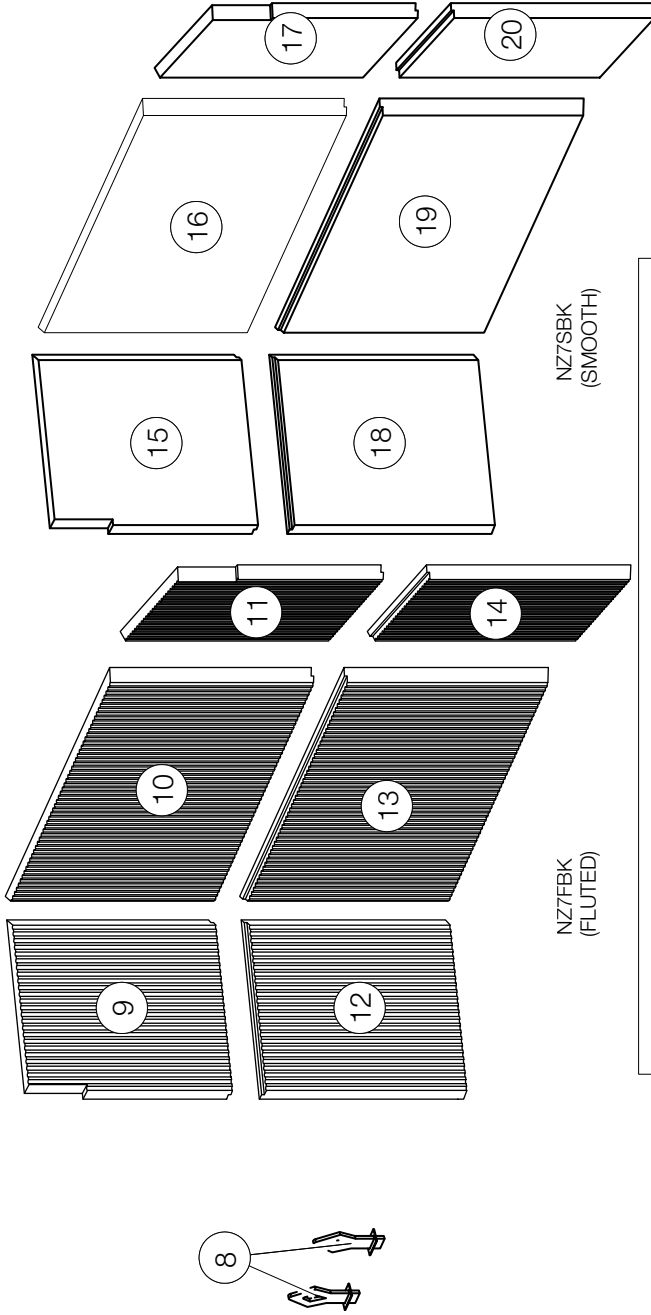
10.1 NZ7000 OVERVIEW



Items may not appear exactly as illustrated.

| Ref. No. | Part Number | Description                               | Stocked |
|----------|-------------|---|---------|
| 1        | W385-2010   | Napoleon Logo                             | Yes     |
| 2        | W325-0086   | Handle                                    |         |
| 3        | W560-0001   | Sheave Roller (X16)                       |         |
| 4        | W565-0183   | Screen                                    |         |
| 5        | W300-0196   | Glass, Door (Ceramic 5mm) 40.875"X19.250" |         |
| 6        | W562-0062   | Door Gasket                               | Yes     |
| 7        | W740-0006   | Door Adjustment                           |         |

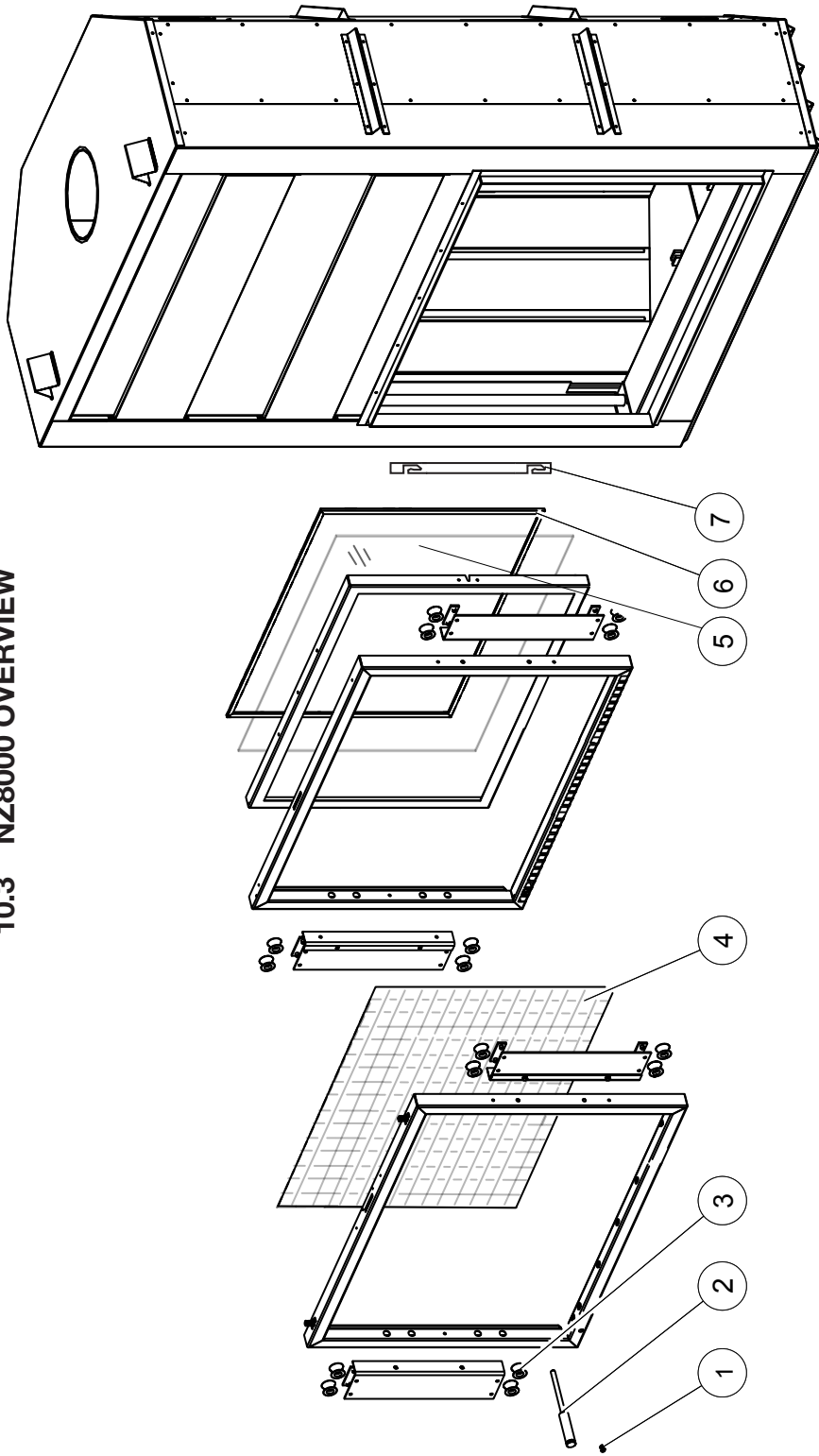
10.2 NZ7000 ACCESSORIES



Items may not appear exactly as illustrated.

| Ref. No | Part Number | Description                                    | Stocked |
|---------|-------------|--|---------|
| 8       | W715-1010   | Andiron (X2)                                   |         |
| 9       | W090-0286   | Top, Left Side Fluted Brick Panel ( NZ7FBK)    |         |
| 10      | W090-0279   | Top, Centre Fluted Brick Panel (NZ7FBK)        |         |
| 11      | W090-0285   | Top, Right Side Fluted Brick Panel (NZ7FBK)    |         |
| 12      | W090-0288   | Bottom, Left Side Fluted Brick Panel ( NZ7FBK) |         |
| 13      | W090-0281   | Bottom, Centre Fluted Brick Panel (NZ7FBK)     |         |
| 14      | W090-0282   | Bottom, Right Side Fluted Brick Panel (NZ7FBK) |         |
| 15      | W090-0287   | Top, Left Side Brick Panel (NZ7SBK)            |         |
| 16      | W090-0280   | Top, Centre Brick Panel (NZ7SBK)               |         |
| 17      | W090-0284   | Top, Right Side Brick Panel (NZ7SBK)           |         |
| 18      | W090-0251   | Bottom, Left Side Brick Panel (NZ7SBK)         |         |
| 19      | W090-0250   | Bottom, Centre Brick Panel (NZ7SBK)            |         |
| 20      | W090-0283   | Bottom, Right Side Brick Panel (NZ7SBK)        |         |

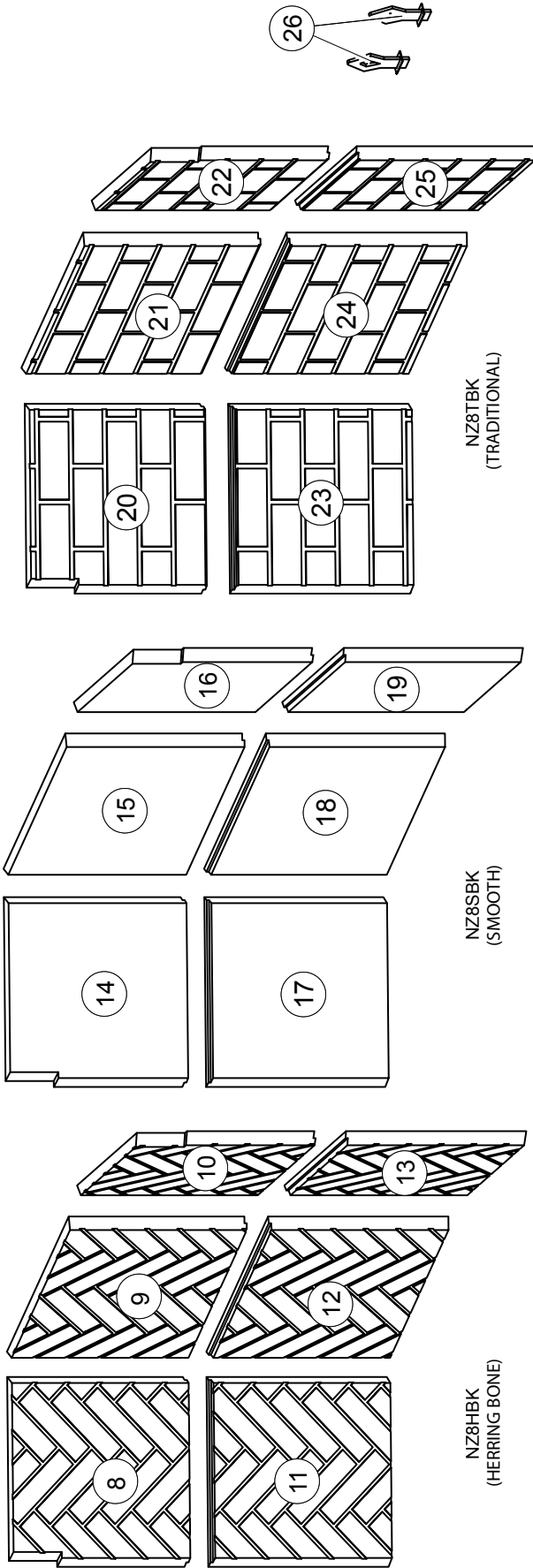
10.3 NZ8000 OVERVIEW



Items may not appear exactly as illustrated.

| Ref. No. | Part Number | Description                               | Stocked |
|----------|-------------|---|---------|
| 1        | W385-2010   | Napoleon Logo                             | Yes     |
| 2        | W325-0086   | Handle                                    | Yes     |
| 3        | W560-0001   | Sheave Roller (x16)                       |         |
| 4        | W565-0182   | Screen                                    |         |
| 5        | W300-0191   | Glass, Door (Ceramic 5mm) 40.875"x28.625" |         |
| 6        | W562-0062   | Door Gasket                               | Yes     |
| 7        | W740-0006   | Door Adjustment                           |         |

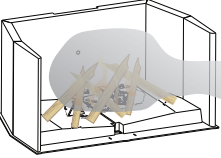
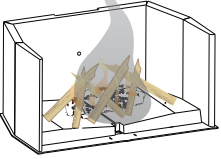
10.4 NZ8000 ACCESSORIES



Items may not appear exactly as illustrated.

| Ref. No. | Part Number | Description   | Stocked |
|----------|-------------|---|---------|
| 8        | W090-0264   | Top, Left Side Herringbone Brick Panel (NZ8HBK)     |         |
| 9        | W090-0260   | Top, Centre Herringbone Brick Panel (NZ8HBK)        |         |
| 10       | W090-0262   | Top, Right Side Herringbone Brick Panel (NZ8HBK)    |         |
| 11       | W090-0265   | Bottom, Left Side Herringbone Brick Panel (NZ8HBK)  |         |
| 12       | W090-0261   | Bottom, Centre Herringbone Brick Panel (NZ8HBK)     |         |
| 13       | W090-0263   | Bottom, Right Side Herringbone Brick Panel (NZ8HBK) |         |
| 14       | W090-0274   | Top, Left Side Brick Panel (NZ8SBK)                 |         |
| 15       | W090-0275   | Top, Centre Brick Panel (NZ8SBK)                    |         |
| 16       | W090-0272   | Top, Right Side Brick Panel (NZ8SBK)                |         |
| 17       | W090-0240   | Bottom, Left Side Brick Panel (NZ8SBK)              |         |
| 18       | W090-0239   | Bottom, Centre Brick Panel (NZ8SBK)                 |         |
| 19       | W090-0273   | Bottom, Right Side Brick Panel (NZ8SBK)             |         |
| 20       | W090-0270   | Top, Left Side Brick Panel (NZ8TBK)                 |         |
| 21       | W090-0266   | Top, Centre Brick Panel (NZ8TBK)                    |         |
| 22       | W090-0268   | Top, Right Side Brick Panel (NZ8TBK)                |         |
| 23       | W090-0271   | Bottom, Left Side Brick Panel (NZ8TBK)              |         |
| 24       | W090-0267   | Bottom, Centre Brick Panel (NZ8TBK)                 |         |
| 25       | W090-0269   | Bottom, Right Side Brick Panel (NZ8TBK)             |         |
| 26       | W715-1010   | Andiron (X2)  |         |

## 11.0 TROUBLESHOOTING

| SYMPTOM  | PROBLEM   | TEST SOLUTION  |
|--|---|--|
| Smoke enters the room during start-up.   | Damper in closed position.  | - Open damper.   |
|  | Cold air blockage in chimney  | - Burn a piece of newspaper to establish a draft.  |
|  | Close the doors.  | - Open outside air control damper.   |
| Smoke enters the room while re-loading.<br><b>NOTE:</b> Open doors slowly to allow pressures to balance before opening doors completely. | Damper in closed position   | - Open damper.   |
|  | Insufficient draft.   | - Chimney height and outside conditions can negatively affect draft. In these cases a small amount of smoke may enter the home. Adding more pipe or a draft-inducing cap may help.<br>- Clean chimney  |
| Appliance smoking.   | Damper in closed position   | - Open damper.   |
|  | Chimney cold  | - Burn a piece of paper to establish a draft, fuel as necessary to establish a hot flame.  |
|   | Inadequate supply of combustion air   | - Chimney height and outside conditions can negatively affect draft. In these cases a small amount of smoke may enter the home. Adding more pipe or a draft-inducing cap may help.   |
|  | The outside air damper opened.  | - Close damper.  |
|   | The smoke passage is blocked in the appliance or chimney.   | - Check chimney for blockage and clear if necessary.   |
|  | The smoke flow impeded by too long of a horizontal pipe or too many bends.  | - Refer to "TYPICAL CHIMNEY INSTALLATION" section for proper chimney bends.  |
|  | A weak draft perhaps caused by a leaky chimney, a cold outside chimney, too short a chimney, or a chimney too close to a tree or a higher roof. | - Chimney height and outside conditions can negatively affect draft. In these cases a small amount of smoke may enter the home. Adding more pipe or a draft-inducing cap may help. Refer to "TYPICAL CHIMNEY INSTALLATION" section for proper chimney bends. |

## 12.0 WARRANTY

NAPOLEON Wood Appliances are manufactured under the strict Standard of the World Recognized ISO 9001 : 2015 Quality Management System.

NAPOLEON products are designed with superior components and materials, assembled by trained craftsmen who take great pride in their work. The complete appliance is thoroughly inspected by qualified and authorized installer, service agency or supplier before packaging to ensure that you, the customer, receives the quality product that you expect from NAPOLEON.

### NAPOLEON WOOD APPLIANCES PRESIDENT'S LIFETIME LIMITED WARRANTY

The following materials and workmanship in your new NAPOLEON Wood Appliance are warranted against defects for as long as you own the appliance. For pellet appliances this covers: the pellet hopper, outer shell, ceramic glass (thermal breakage only) and ash drawer.\* For wood appliances this covers: combustion chamber, heat exchanger, ceramic glass (thermal breakage only), gold plated parts against tarnishing, porcelainized enameled components, aluminum extrusion trims, vortex baffles, ash drawer and iron castings.\*

For pellet appliances the combustion chamber and heat exchanger are warranted against defects for a period of 5 years. For wood appliances equipped with a guillotine door/screen system they are warranted against defects for a period of 5 years.

Electrical (110V) components and wearable parts are covered and NAPOLEON will provide replacement parts free of charge during the first year of the limited warranty. For pellet appliances this covers: blowers, thermal switches and burn pot.\* For wood appliances this covers: blowers, thermal switch, switches, wiring, firebrick, stainless steel baffle retainer, secondary air tubes and gasketing.\*

Labour related to warranty repair is covered free of charge during the first year, with the exception of the guillotine door/screen system which will be warranted for a period of 3 years. Repair work, however, requires the prior approval of an authorized company official. Labour costs to the account of NAPOLEON are based on a predetermined rate schedule and any repair work must be done through an authorized NAPOLEON dealer.

For appliances that include; firebricks and baffles they should routinely be removed by the operator as part of the regular service and therefore, any warranty replacement of these parts does not qualify for any labour allowances.

\* Construction of models vary. Warranty applies only to components included with your specific appliance.

### CONDITIONS AND LIMITATIONS

NAPOLEON warrants its products against manufacturing defects to the original purchaser only. Registering your warranty is not necessary. Simply provide your proof of purchase along with the model and serial number to make a warranty claim. Provided that the purchase was made through an authorized NAPOLEON dealer your appliance is subject to the following conditions and limitations: Warranty coverage begins on the date of original installation.

This factory warranty is non-transferable and may not be extended whatsoever by any of our representatives.

The Wood Appliance must be installed by a qualified and authorized installer, service agency or supplier. Installation must be done in accordance with the installation instructions included with the product and all local and national building and fire codes.

This limited warranty does not cover damages caused by misuse, lack of maintenance, accident, alterations, abuse or neglect.

Operating the appliance on high for extended periods of time, is neglect. Parts installed from other manufacturers will nullify this warranty.

This limited warranty further does not cover any scratches, dents, corrosion or discoloring caused by excessive heat, abrasive and chemical cleaners nor chipping on porcelain enamel parts, nor any venting components used in the installation of the appliance.

In the first year only, this warranty extends to the repair or replacement of warranted parts which are defective in material or workmanship provided that the product has been operated in accordance with the operation instructions and under normal conditions.

After the first year, with respect to the President's Limited Lifetime Warranty, NAPOLEON may, at its discretion, fully discharge all obligations with respect to this warranty by refunding to the original warranted purchaser the wholesale price of any warranted but defective parts.

After the first year, NAPOLEON will not be responsible for installation, labour or any other costs or expenses related to the reinstallation of a warranted part, and such expenses are not covered by this warranty.

Notwithstanding any provisions contained in the President's Limited Lifetime Warranty, NAPOLEON's responsibility under this warranty is defined as above and it shall not in any event extend to any incidental, consequential or indirect damages.

This warranty defines the obligations and liability of NAPOLEON with respect to the NAPOLEON wood appliance and any other warranties expressed or implied with respect to this product, its components or accessories are excluded.

NAPOLEON neither assumes, nor authorizes any third party to assume, on its behalf, any other liabilities with respect to the sale of this product. NAPOLEON will not be responsible for: over-firing, downdrafts, spillage caused by environmental conditions such as rooftops, buildings, nearby trees, hills, mountains, inadequate vents or ventilation, excessive venting configurations, insufficient makeup air, or negative air pressures which may or may not be caused by mechanical systems such as exhaust blowers, furnaces, clothes dryers, etc. Any damages to appliance, combustion chamber, heat exchanger, brass trim or other component due to water, weather damage, long periods of dampness, condensation, damaging chemicals or cleaners will not be the responsibility of NAPOLEON.

Regular cleaning of the fine ash generated during the operation of this appliance is a necessary part of maintaining your wood appliance. Failure of any components, which is attributed to poor maintenance, is not warrantable and will not be covered by this policy. NAPOLEON reserves the right to have its representative inspect any product or part thereof prior to honouring any warranty claim.

All parts replaced under the President's Limited Lifetime Warranty Policy are subject to a single claim.

During the first 10 years NAPOLEON will replace or repair the defective parts covered by the lifetime warranty at our discretion free of charge. From 10 years to life, NAPOLEON will provide replacement parts at 50% of the current retail price.

All parts replaced under the warranty will be covered for a period of 90 days from the date of their installation.

The manufacturer may require that defective parts or products be returned or that digital pictures be provided to support the claim. Returned products are to be shipped prepaid to the manufacturer for investigation. If a product is found to be defective, the manufacturer will repair or replace such defect.

Before shipping your appliance or defective components, your dealer must obtain an authorization number. Any merchandise shipped without authorization will be refused and returned to sender.

Shipping costs are not covered under this warranty.

Additional service fees may apply if you are seeking warranty service from a dealer.

Warranty labour allowance is only for the replacement of the warranted part. Travel, diagnostic tests, shipping and other related charges are not covered by this warranty.

ALL SPECIFICATIONS AND DESIGNS ARE SUBJECT TO CHANGE WITHOUT PRIOR NOTICE DUE TO ON-GOING PRODUCT IMPROVEMENTS.  
NAPOLEON IS A REGISTERED TRADEMARK OF WOLF STEEL LTD.



# NAPOLEON CELEBRATING OVER 40 YEARS OF HOME COMFORT PRODUCTS



7200, Route Transcanadienne, Montréal, Québec H4T 1A3  
24 Napoleon Road, Barrie, Ontario, Canada L4M 0G8  
214 Bayview Drive, Barrie, Ontario, Canada L4N 4Y8  
103 Miller Drive, Crittenden, Kentucky, USA 41030

Phone: 1-866-820-8686  
[napoleonproducts.com](http://napoleonproducts.com)



INSTALLATEUR: LAISSEZ CE MANUEL AVEC L'APPAREIL.  
PROPRIÉTAIRE: CONSERVEZ CE MANUEL POUR CONSULTATION ULTÉRIEURE.  
NE LAISSEZ PAS LES ENFANTS OU AUTRES INDIVIDUS À RISQUE SEULS À PROXIMITÉ DE L'APPAREIL.

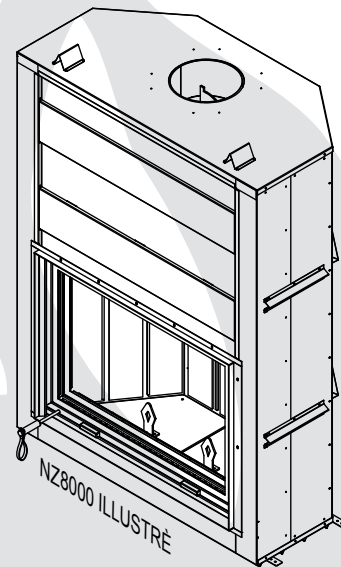


# INSTRUCTIONS D'INSTALLATION ET D'OPÉRATION

CES APPAREILS ONT ÉTÉ TESTÉ ET HOMOLOGUÉ PAR INTERTEK TESTING SERVICES LTÉ. SELON LES NORMES : NORMES ULC S610 ET UL 127 POUR LES FOYERS PRÉFABRIQUÉS.  
\*LE NZ8000 EST UN EPA FAIBLE MASSE BOIS CHEMINÉE PROGRAMME VOLONTAIRE PHASE 2 D'ÉMISSION NIVEAU QUALIFIÉ MODÈLE.

## NZ7000 / NZ8000\*

FOYER À COMBUSTIBLE SOLIDE DÉGAGEMENT ZÉRO



### CONSIGNES DE SÉCURITÉ

## ! AVERTISSEMENT

Si ces instructions ne sont pas suivies à la lettre, un incendie ou une explosion pourraient s'ensuivre, causant des dommages matériels, des blessures corporelles ou des pertes de vie. Veuillez lire le manuel en entier avant d'installer et d'utiliser cet appareil.

Cet appareil n'a pas été testé avec un ensemble de bûches à gaz non ventilées. Afin de réduire le risque d'incendie ou de blessure, n'installez pas d'ensemble de bûches à gaz non ventilées dans cet appareil.

- Cet appareil peut devenir très chaud lorsqu'il fonctionne.
- Les matériaux combustibles, tels que le bois de chauffage, les vêtements mouillés, etc. placés trop près de l'appareil pourraient prendre feu.
- Il faut empêcher les enfants et les animaux de toucher le foyer quand il est chaud.
- La cheminée doit être en bon état et ne pas être fêlée. Avant d'installer cet appareil, contactez le service du bâtiment ou le service d'incendie de votre municipalité et suivez leurs directives.
- Les portes doivent être bien fermées lorsque vous utilisez l'appareil.
- Brûlez le bois en arrière du pare-bûches, directement sur les briques réfractaires.
- N'utilisez pas un chenet et n'essayez pas de surélever le feu de quelque manière.
- Cet appareil a été conçu pour brûler du bois naturel uniquement. Vous obtenez une meilleure efficacité et des émissions plus basses avec du bois traité, de charbon de bois, de charbon, de papier de couleur, de carton, de solvant ou de déchets.
- Ne brûlez pas de bois traité, de charbon de bois, de charbon, de papier de couleur, de carton, de solvant ou de déchets.
- Ne laissez pas l'appareil chauffer au point où des parties deviennent rougeoyantes.

### POUR UTILISATION INTÉRIEURE SEULEMENT!

## ! AVERTISSEMENT



LA VITRE CHAUDE CAUSERA  
DES BRÛLURES.  
NE PAS TOUCHER LA VITRE  
AVANT QU'ELLE AIT REFROIDI.  
NE JAMAIS LAISSER LES  
ENFANTS TOUCHER LA VITRE.



Wolf Steel Ltd., 24 Napoleon Rd., Barrie, ON, L4M 0G8 Canada /  
103 Miller Drive, Crittenden, Kentucky, USA, 41030  
Téléphone 1 (866) 820-8686 • www.napoleonfoyers.com • hearth@napoleonproducts.com

W415-1676 / B / 10.26.17

# TABLE DES MATIÈRES

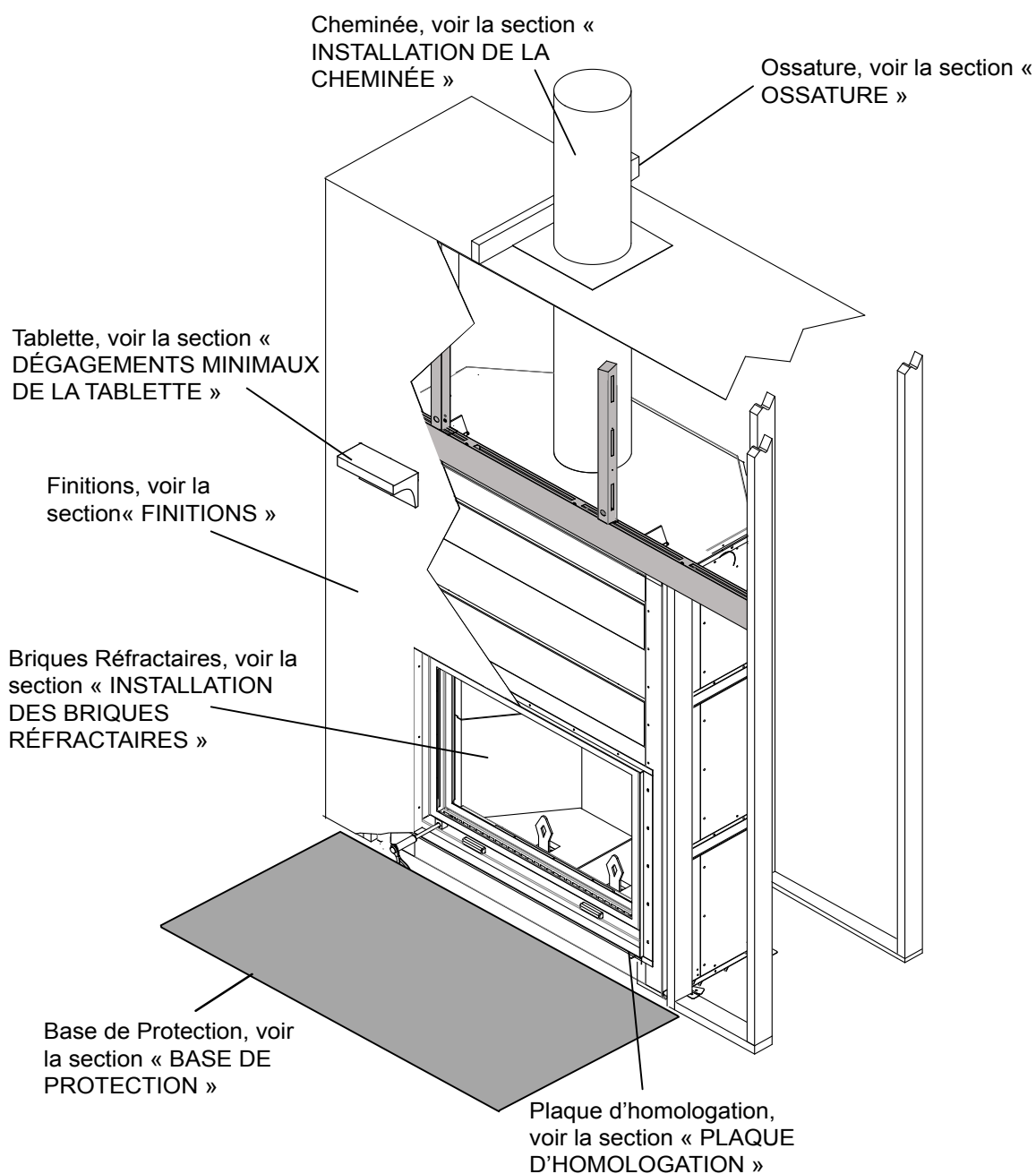
|             |  |           |
|-------------|--|-----------|
| <b>1.0</b>  | <b>VUE D'ENSEMBLE DE L'INSTALLATION</b>                        | <b>51</b> |
| <b>2.0</b>  | <b>INTRODUCTION</b>  | <b>52</b> |
| 2.1         | DIMENSIONS   | 53        |
| 2.2         | INSTRUCTIONS GÉNÉRALES   | 54        |
| 2.3         | CARACTÉRISTIQUES   | 55        |
| 2.4         | CET APPAREIL   | 55        |
| 2.5         | LISTE DES ARTICLES   | 55        |
| 2.6         | INFORMATION SUR LA PLAQUE D'HOMOLOGATION                       | 56        |
| <b>3.0</b>  | <b>PLANIFICATION DE L'INSTALLATION</b>                         | <b>57</b> |
| 3.1         | DÉGAGEMENT ET EMPLACEMENT                                      | 57        |
| 3.1.1       | OUVERTURES DE VENTILATION                                      | 58        |
| 3.2         | AIR COMBURANT EXTÉRIEUR  | 58        |
| 3.2.1       | OPÉRATION DE L'AIR COMBUSTION EXTÉRIEUR                        | 59        |
| 3.3         | PROTECTION DU PLANCHER   | 60        |
| 3.3.1       | PARE-BRAISES ET BASE DE PROTECTION                             | 60        |
| 3.3.2       | BASE DE PROTECTION   | 61        |
| 3.3.3       | EXEMPLES DE BASES DE PROTECTION                                | 62        |
| 3.3.4       | OPÉRATION DE REGISTRE  | 63        |
| <b>4.0</b>  | <b>INSTALLATION</b>  | <b>64</b> |
| 4.1         | CHEMINÉE   | 64        |
| 4.2         | INSTALLATION TYPIQUE DE LA CHEMINÉE                            | 65        |
| 4.3         | AJOUT DE SECTIONS DE CHEMINÉE                                  | 66        |
| 4.4         | INSTALLATION DE LA CHEMINÉE AVEC DÉVIATION                     | 67        |
| 4.5         | INSTALLATION DU SOLIN ET DU COLLET DE SOLIN                    | 68        |
| 4.6         | INSTALLATION D'UNE CHEMINÉE REFROIDIE À L'AIR                  | 68        |
| <b>5.0</b>  | <b>OSSATURE</b>  | <b>69</b> |
| 5.1         | MATÉRIAUX DE FINITION  | 70        |
| 5.2         | DÉGAGEMENTS MINIMAUX AUX MATÉRIAUX COMBUSTIBLES                | 71        |
| 5.3         | DÉGAGEMENTS MINIMAUX AUX ENCEINTES                             | 71        |
| 5.4         | DÉGAGEMENTS MINIMAUX DE LA TABLETTE                            | 72        |
| <b>6.0</b>  | <b>FINITIONS</b>   | <b>73</b> |
| 6.1         | INSTALLATION DE LA POIGNÉE DE PORTE                            | 73        |
| 6.2         | RÉGLAGE DU NIVEAU DE PORTE                                     | 74        |
| 6.3         | REMPLACEMENT DE VERRE PORTE                                    | 76        |
| 6.4         | REMPLACEMENT DE L'ÉCRAN  | 77        |
| 6.5         | RÉGLAGE DES MASSES D'ÉQUILIBRAGE                               | 78        |
| 6.6         | INSTALLATION DE LA BRIQUE RÉFRACTAIRE ET OPÉRATION AMORTISSEUR | 79        |
| 6.6.1       | INSTALLATION DE LA BRIQUE RÉFRACTAIRE                          | 79        |
| 6.7         | REMPLACEMENT DES PANNEAUX ISOLANT DU CHAMBRE DE FUMÉE          | 80        |
| <b>7.0</b>  | <b>SÉLECTION DU BOIS</b>                                       | <b>81</b> |
| <b>8.0</b>  | <b>FONCTIONNEMENT</b>  | <b>82</b> |
| 8.1         | BRUITS ET ODEURS LORS DU FONCTIONNEMENT                        | 82        |
| 8.2         | ALLUMER LE FEU   | 83        |
| 8.3         | EXTINCTEURS ET DÉTECTEURS DE FUMÉE                             | 83        |
| 8.4         | ALLUMER LE FEU (L'AMORTISSEUR OUVERT)                          | 84        |
| 8.5         | FUMÉE  | 85        |
| 8.6         | RAVITAILLEMENT DE L'APPAREIL                                   | 85        |
| <b>9.0</b>  | <b>ENTRETIEN</b>   | <b>86</b> |
| 9.1         | ENLÈVEMENT DES CENDRES   | 86        |
| 9.2         | FORMATION ET ENLÈVEMENT DE LA CRÉOSOTE                         | 86        |
| 9.3         | FEU DE CHEMINÉ OU FEU HORS CONTRÔLE                            | 86        |
| 9.4         | NETTOYAGE DE LA CHEMINÉE                                       | 87        |
| 9.5         | SOIN DE VITRE  | 87        |
| <b>10.0</b> | <b>RECHANGES</b>   | <b>88</b> |
| 10.1        | VUE D'ENSEMBLE NZ7000  | 89        |
| 10.2        | ACCESSOIRES NZ7000   | 90        |
| 10.3        | VUE D'ENSEMBLE NZ8000  | 91        |
| 10.4        | ACCESSOIRES NZ8000   | 92        |
| <b>11.0</b> | <b>GUIDE DE DÉPANNAGE</b>                                      | <b>93</b> |
| <b>12.0</b> | <b>GARANTIE</b>  | <b>94</b> |
| <b>13.0</b> | <b>HISTORIQUE D'ENTRETIEN</b>                                  | <b>95</b> |

**NOTE :** Les changements autres que de nature éditoriale sont dénotés par une ligne verticale dans la marge.

## 1.0 VUE D'ENSEMBLE DE L'INSTALLATION

### ! AVERTISSEMENT

CET APPAREIL ET SES COMPOSANTS SONT CONÇUS POUR ÊTRE INSTALLÉS ET FONCTIONNER COMME UN SYSTÈME. TOUTE MODIFICATION OU SUBSTITUTION DE COMPOSANTS AUTRE QUE CELLES INDICÉES DANS CES INSTRUCTIONS D'INSTALLATION AURA POUR EFFET D'ANNULER L'HOMOLOGATION PAR WARNOCK HERSEY ET RISQUE D'ANNULER LA GARANTIE. CELA PEUT AUSSI CRÉER UNE INSTALLATION DANGEREUSE. LISEZ BIEN TOUTES LES INSTRUCTIONS AVANT DE COMMENCER VOTRE INSTALLATION ET SUIVEZ-LES À LA LETTRE.

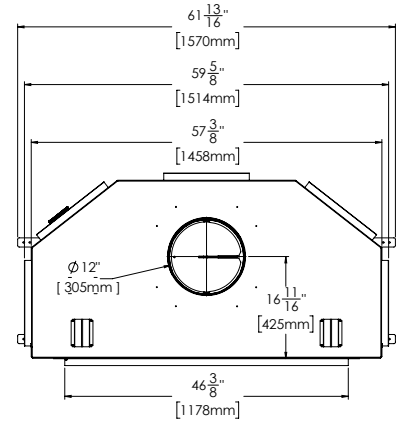
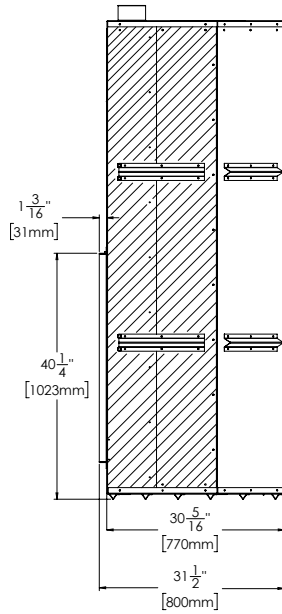
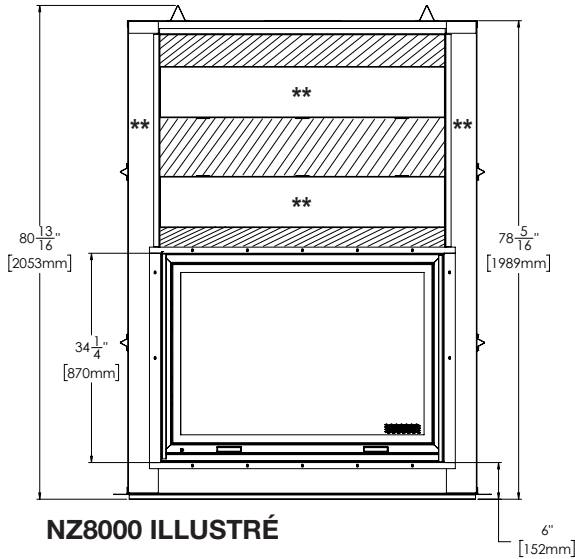
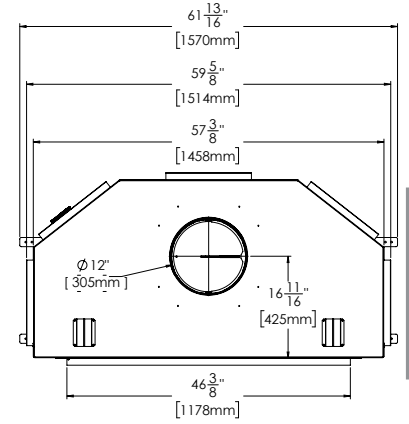
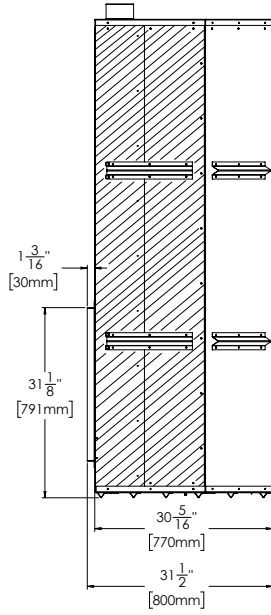
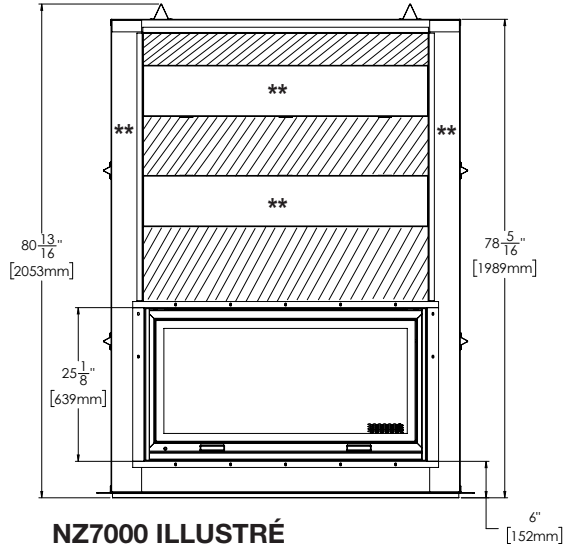



FR

## ! AVERTISSEMENT

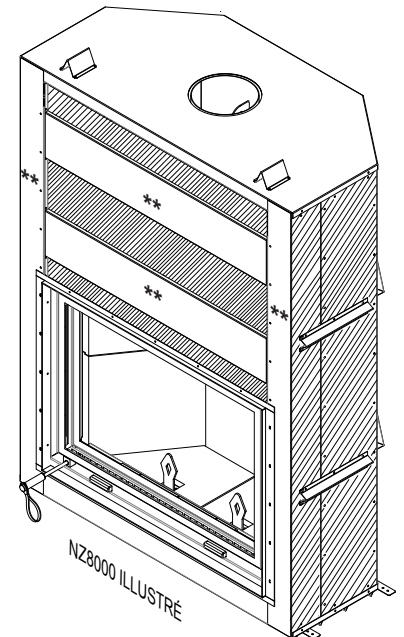
- CET APPAREIL EST CHAUD LORSQU'IL FONCTIONNE ET PEUT CAUSER DE GRAVES BRÛLURES EN CAS DE CONTACT.
  - TOUTE MODIFICATION APPORTÉE À CET APPAREIL OU AUX CONTRÔLES PEUT ÊTRE DANGEREUX ET EST INTERDIT.
  - Ne faites pas fonctionner l'appareil avant d'avoir lu et compris les instructions d'opération. Omettre d'utiliser l'appareil selon les instructions d'opération pourrait causer un incendie ou des blessures.
  - Avant d'installer cet appareil, contactez les autorités locales du bâtiment ou le service des incendies et suivez leurs directives.
  - Cet appareil doit être installé par un installateur qualifié. N'essayez jamais de réparer ou de remplacer les pièces de cet appareil à moins que des instructions soient fournies à cet effet dans ce manuel. Tout autre travail devrait être effectué par un technicien qualifié.
  - Risque de brûlures. L'appareil doit être éteint et refroidi avant d'effectuer un entretien.
  - Ne faites pas fonctionner tant que tous les composants ne sont pas complètement installés. N'installez pas de composants endommagés ou incomplets ni des composants substitués.
  - Ne laissez pas l'appareil chauffer au point où des parties deviennent rougeoyantes.
  - Risque de coupures et d'éraflures. Portez des gants protecteurs et des lunettes de sécurité lors de l'installation. Les bordures des pièces de métal peuvent être coupantes.
  - Cet appareil doit être raccordé électriquement par un électricien qualifié conformément aux codes locaux. En l'absence de codes locaux, utilisez la version courante du code canadien de l'électricité CSA C22.1 au Canada ou le national electrical code ANSI/NFPA 70 aux États-Unis.
  - Brûler votre appareil avec la porte de décharge de cendre ouverte crée un risque d'incendie qui peuvent entraîner une décoloration de la porte, les dommages internes à l'appareil ou un feu de cheminée de la chambre.
  - Cet appareil ne doit pas être raccordé au conduit d'une cheminée desservant un autre appareil.
  - Les enfants et les adultes devraient être informés des dangers que posent les températures de surface élevées et se tenir à distance afin d'éviter des brûlures ou que leurs vêtements ne s'enflamment.
  - Surveillez attentivement les jeunes enfants lorsqu'ils sont dans la même pièce que l'appareil. Les jeunes enfants et autres sont plus à risque de contacts accidentels causant des brûlures. Une barrière physique est conseillée lorsque qu'il y a des individus à risque dans la maison. Pour empêcher l'accès à un appareil ou un poêle, installez une barrière de sécurité pour garder les jeunes enfants et autres individus à risque hors de la pièce et éloignés des surfaces chaudes. Les vêtements et autres matériaux combustibles ne doivent pas être posés sur le foyer ou à proximité.
  - En raison des températures élevées, le foyer devrait être placé loin des endroits passants et loin des meubles et des rideaux. Les objets placés devant l'appareil doivent être gardés à une distance d'au moins 4 pieds (1,2m) de l'avant de l'appareil.
  - En raison des températures élevées, l'appareil devrait être placé loin des endroits passants et loin des meubles et des rideaux.
  - Assurez-vous de disposer de mesures de sécurité adéquates pour empêcher les jeunes enfants de toucher aux surfaces chaudes.
  - Même une fois que le foyer est éteint, la vitre et/ou le pare-étincelles demeureront chauds pendant un temps prolongé.
  - Consultez votre détaillant local de foyer pour connaître les grillages de sécurité et les écrans offerts pour protéger les enfants des surfaces chaudes. Ces grillages de sécurité et ces écrans doivent être fixés au plancher.
  - Les grillages de sécurité ou écrans enlevés pour faire l'entretien devront être remis en place avant d'utiliser l'appareil.
  - Cet appareil ne devra être modifié en aucun cas.
  - Cet appareil ne doit pas être raccordé au conduit d'une cheminée desservant un autre appareil de chauffage à combustible solide.
  - Ne pas opérer l'appareil lorsque la porte vitrée est enlevée, fissurée ou brisée. Le remplacement de la vitre devra être effectué par un technicien de service certifié ou qualifié.
  - Ne frappez pas et ne claquez pas la porte vitrée de l'appareil.
  - Seulement les portes/façades certifiées pour cet appareil peuvent être utilisées avec cet appareil.
  - Gardez les matériaux d'emballage hors de la portée des enfants et mettez ces matériaux au rebut de façon sécuritaire. Comme tous les emballages de plastique, ces matériaux ne sont pas des jouets et doivent demeurer hors de la portée des enfants et des bébés.
  - Si cet appareil n'est pas installé de façon adéquate, un incendie pourrait s'ensuivre. N'exposez pas l'appareil aux éléments (p. ex. la pluie, etc.) et gardez-le au sec en tout temps. De l'isolant humide produira une odeur lorsque l'appareil est utilisé.
  - La cheminée doit être en bon état et ne pas être fissurée. Nettoyez la cheminée au moins deux fois par année et lorsque nécessaire.
  - N'allumez pas votre feu à l'aide de produits chimiques ou de liquides tels que de l'essence, de l'huile à moteur, etc.
  - Votre appareil nécessite un entretien et un nettoyage périodiques. Négliger cet entretien peut causer des refoulements de fumée dans la maison.
  - Les cendres doivent être mises dans un contenant métallique avec un couvercle hermétique et déposé sur une surface incombustible suffisamment éloigné de la maison ou de toute structure jusqu'à ce qu'elles soient complètement refroidies.
  - Assurez-vous de respecter les dégagements aux matériaux combustibles lorsque vous installez un manteau ou des tablettes au-dessus de l'appareil. Les températures élevées sur le mur ou de l'air au-dessus de l'appareil peuvent faire fondre, décolorer ou endommager les décorations, les téléviseurs ou autres composants électroniques.
- Pour les appareils de bois:
- Vous obtenez une meilleure efficacité et des émissions plus basses avec du bois dur séché à l'air qu'avec du bois résineux ou vert, ou des bois durs fraîchement coupés. Brûler du bois vert ou humide peut causer des accumulations excessives de créosote. Lorsqu'elle est allumée, cette dernière peut causer un feu de cheminée et un incendie grave pourrait s'ensuivre.
  - Cet appareil a été conçu pour brûler du bois naturel uniquement. Ne brûlez pas de déchets, des résidus de tonte de pelouse, de caoutchouc, des produits pétroliers résiduels, de la peinture ou du diluant / de solvants, de plastique, des matériaux contenant de l'amiante, des débris de construction, des traverses de chemin de fer ou de bois traités, du fumier ou des restes d'animaux, du bois de grève imprégné de sel ou des matériaux salés, du bois non séché, de charbon, de papiers de couleur, emballage-cadeau, de cartons, des contreplaqués ou des panneaux de particules. La combustion de ces matériaux peut entraîner la libération de fumées toxiques ou rendre l'appareil inefficace et causer de la fumée.
  - Brûlez le bois directement sur les briques réfractaires. N'utilisez pas un chenet et n'essayez pas de surélever le feu de quelque manière.
  - Ne rangez pas de bois à l'intérieur des dégagements prescrits ou à l'intérieur de la zone nécessaire pour procéder au ravitaillement ou à l'enlèvement des cendres.
  - Si équipé, le catalyseur doit être installé et en bon état de fonctionnement. Il est recommandé que le catalyseur est inspecté au moins 3 fois par saison de chauffage.
- Pour les appareils de granules de bois:
- Il est primordial de garder propres les compartiments de contrôle, les brûleurs, la soufflerie et les bouches d'air de l'appareil. L'appareil doit être inspecté avant la première utilisation et au moins une fois l'an par un spécialiste en entretien. Un entretien plus fréquent pourrait être nécessaire en raison des peluches provenant des tapis, literie, etc. L'emplacement de l'appareil doit être gardé libre de tous matériaux combustibles, essence ou autres liquides et vapeurs inflammables.
  - N'utilisez pas cet appareil si une partie quelconque a été submergée. Contactez immédiatement un technicien de service qualifié pour inspecter l'appareil et pour remplacer toute pièce du système de contrôle qui aurait été submergée.
  - Cet appareil est conçu et approuvé pour brûler des granules de bois seulement. L'utilisation de tout autre type de combustible annulera votre garantie ainsi que les caractéristiques de sécurité. Ne brûlez pas de déchets, des résidus de tonte de pelouse, de caoutchouc, des produits pétroliers résiduels, de la peinture ou du diluant / de solvants, de plastique, des matériaux contenant de l'amiante, des débris de construction, des traverses de chemin de fer ou de bois traités, du fumier ou des restes d'animaux, du bois de grève imprégné de sel ou des matériaux salés, du bois non séché, de charbon, de papiers de couleur, de cartons, des contreplaqués ou des panneaux de particules.
  - Le système d'évacuation doit être installé correctement et parfaitement droit. Nous vous conseillons de sceller les joints du système d'évacuation avec un scellant de silicone de 500 °F (260 °C) minimum. Installez-le conformément aux instructions du fabricant du système d'évacuation.
  - Cet appareil ne fonctionnera pas lors d'une panne électrique. Si une panne survient, vérifiez si de la fumée s'échappe de l'appareil et ouvrez une fenêtre au besoin.
  - Gardez tout objet hors du réservoir.
  - Débranchez le cordon d'alimentation avant d'effectuer un entretien. **REMARQUE:** Mettre le bouton d'alimentation en granules à « OFF » ne coupe pas le courant à l'appareil.
  - En aucun cas, vous ne devez utiliser du bois de chauffage ou des bûches artificielles dans cet appareil. Leur usage pourrait causer un incendie.
  - Cet appareil doit être branché dans une prise standard de 115 V, 60 Hz avec mise à la terre. N'utilisez pas d'adaptateur de prise et ne coupez pas la pointe de mise à la terre. Ne faites pas passer le cordon d'alimentation au devant, au-dessus, ou en dessous de l'appareil.
  - Si cet appareil est installé dans une maison mobile, il doit être fixé au plancher, raccordé à une prise d'air extérieur et NE DOIT PAS ÊTRE INSTALLÉ DANS UNE CHAMBRE À COUCHER (selon les exigences du H.U.D.). Vérifiez auprès des autorités locales du bâtiment.
  - Le système d'évacuation devrait être inspecté et nettoyé au moins une fois par année pour prévenir toute accumulation de suie ou de créosote.
  - Cet appareil peut devenir très chaud. Vous DEVEZ porter des gants antichaleur lorsque vous nettoyez ou manipulez cet appareil.

2.1 DIMENSIONS



 AUCUNE VIS DANS CE ZONE

 LES VIS NE PEUT PAS PÉNÉTRER DE PLUS DE 1/2" DANS CETTE ZONE



FR

## 2.2 INSTRUCTIONS GÉNÉRALES

**! AVERTISSEMENT**

AVANT D'INSTALLER CET APPAREIL, CONTACTEZ LES AUTORITÉS LOCALES DU BÂTIMENT OU LE SERVICE DES INCENDIES ET SUIVEZ LEURS DIRECTIVES.

CET APPAREIL DOIT ÊTRE INSTALLÉ PAR UN INSTALLATEUR QUALIFIÉ. SUIVEZ LES INSTRUCTIONS D'INSTALLATION. NE PAS UTILISER SANS INSTALLER TOUS LES COMPOSANTS.

SI CET APPAREIL N'EST PAS INSTALLÉ DE FAÇON ADÉQUATE, UN INCENDIE POURRAIT S'ENSUIVRE.

N'EXPOSEZ PAS L'APPAREIL AUX ÉLÉMENTS (PAR EX., LA PLUIE, ETC.) ET GARDEZ-LE AU SEC EN TOUT TEMPS. DES MATÉRIAUX ISOLANTS MOUILLÉS DÉGAGERONT UNE ODEUR LORS DU FONCTIONNEMENT DE L'APPAREIL.

CET APPAREIL EST CHAUD LORSQU'IL FONCTIONNE ET IL PEUT CAUSER DE GRAVES BRÛLURES EN CAS DE CONTACT. IL FAUT EMPÊCHER LES ENFANTS ET LES ANIMAUX DE TOUCHER L'APPAREIL QUAND IL EST CHAUD. CONTACTEZ VOTRE DÉTAILLANT LOCAL POUR CONNAÎTRE LES GRILLAGES DE SÉCURITÉ DISPONIBLES POUR CE PRODUIT.

LES MATÉRIAUX COMBUSTIBLES TELS QUE LE BOIS DE CHAUFFAGE, LES VÊTEMENTS MOUILLÉS, ETC. PLACÉS TROP PRÈS DE L'APPAREIL POURRAIENT PRENDRE FEU. LES OBJETS PLACÉS DEVANT DE L'APPAREIL DOIVENT ÊTRE GARDÉS À UNE DISTANCE D'AU MOINS 48" (121,9CM) DE LA FACE VITRÉE DE L'APPAREIL.

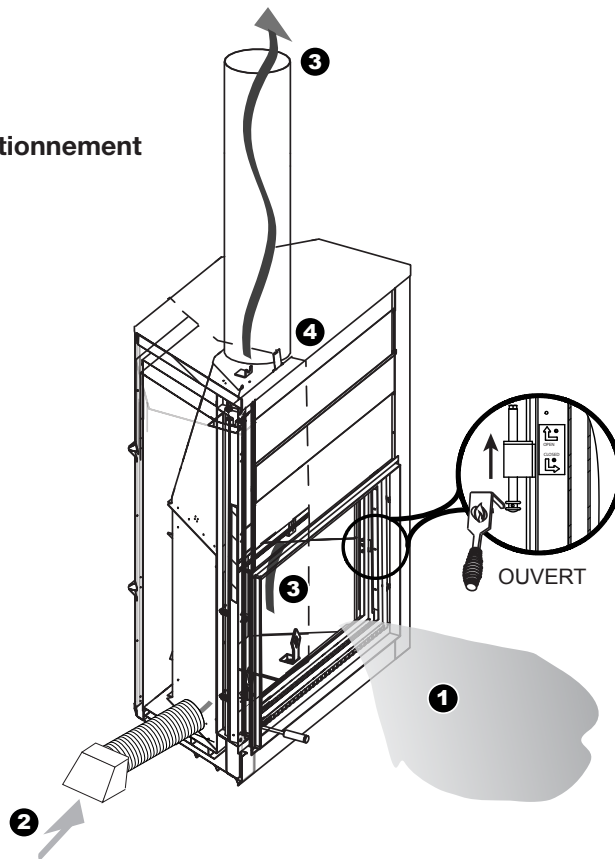
L'INSTALLATION ÉLECTRIQUE DOIT ÊTRE EFFECTUÉE PAR UN ÉLECTRICIEN QUALIFIÉ, EN CONFORMITÉ AVEC LES CODES LOCAUX ET AVEC LA VERSION COURANTE DU NATIONAL ELECTRIC CODE ANSI/NF N ° 70 (AUX ÉTATS-UNIS ), OU AVEC LE CODE CANADIEN DE L'ÉLECTRICITÉ CSA C22.1 (AU CANADA ).

**NOTE:** Il est recommandé de tester les composants énumérés ci-dessous avant l'installation:

- Portes
- Masse d'équilibrage
- Louvre pour l'admission d'air
- Registre

Tous les composants doivent être en bon état de fonctionnement avant que l'appareil est installé.

1. L'air comburant est acheminé dans l'appareil en entrant par les prises d'air et la porte ou l'écran de l'appareil.
2. L'air extérieur est contrôlé avec un registre pour compléter l'air intérieur. Le registre peut seulement être ajusté d'être complètement fermé ou complètement ouvert.
3. A l'intérieur du foyer, la combustion a lieu et sort par la cheminée.
4. L'appareil comprend un registre à sa base de la cheminée qui doit être fermée lorsque l'appareil n'est pas en cours d'utilisation pour éviter que l'air froid d'entrant dans la maison. Voir la section <<Installation de la Brique Réfractaire et Opération Amortisseur>>.



Il est recommandé de tenir compte de l'emplacement des fenêtres, des portes, et de la circulation dans la pièce où sera installé l'appareil. Si possible, vous devriez choisir un emplacement où la cheminée passera dans la maison sans que vous ayez à découper un plancher ou une slive de toit.

## 2.3 CARACTÉRISTIQUES

- Longueur maximale des bûches de 32" (81,3cm)
- Grandes portes vitrées pour un maximum de visibilité
- Revêtement de briques réfractaires qui protège la chambre de combustion
- Clapet d'air extérieure obturable
- Registre du conduit à fermeture
- Poids à l'expédition 1150 poids (521kg).
- Diamètre de buse de sortie 12" (30,5cm).
- Charge de carburant maximum 60lbs (27kg).
- Hauteur de carburant maximum, à mi-chemin ou en haut de la première brique réfractaire.
- Testé pour sécurité selon: ULC S610 et UL127.
- Testé pour émissions selon: ASTM E2515 et ASTM E2558 pour l'EPA Faible Mass Bois Cheminée Programme Volontaire Phase 2 d'Émission Niveau Qualifié Modèle (NZ8000 seulement)

## 2.4 CET APPAREIL

Cet appareil est un produit décorative et n'est pas conçu comme une source primaire du chaleur.

Capacité de chauffage approximative jusqu'à 1000 pieds carrés (92 mètres carrés)



## AVERTISSEMENT

**NE LAISSEZ PAS L'APPAREIL CHAUFFÉ AU POINT OÙ DES PARTIES DEVIENNENT ROUGEYANTES.**

## 2.5 LISTE DES ARTICLES

Livré avec l'appareil :

Manuel d'instructions

Pare-braises

Outil du registre

### LA MODÈLE NZ8000 EST CERTIFIÉ EPA - QUALIFIÉ.

#### AVERTISSEMENT - PROPOSITION 65 DE LA CALIFORNIE :

L'utilisation de cet appareil peut produire de la fumée qui contient des substances chimiques qui, selon l'État de Californie, causeraient le cancer, des malformations congénitales ou autres dangers pour la reproduction.

N'utilisez pas de compromis de fortune lors de l'installation. N'obstruez pas, entièrement ou partiellement, la grille et les ouvertures de l'appareil! N'ajoutez pas de hotte.

FAIRE FONCTIONNER CET APPAREIL AVEC LA PORTE OUVERTE OU ENTROUVERTE CRÉE UN RISQUE D'INCENDIE DE CHEMINÉE OU DU DOMICILE.

Tous les raccords d'évacuation doivent se conformer aux instructions d'installation du fabricant de la cheminée. Les dégagements mentionnés dans ce manuel correspondent aux exigences minimales.

Votre appareil doit être installé selon les codes du bâtiment locaux et nationaux et selon les normes des Cheminées et Foyers, Événements et Appareils à combustion solide NFPA #211. Consultez l'autorité compétente (comme le service municipal du bâtiment, le service des incendies, le bureau de prévention des incendies, etc.) afin de déterminer si vous avez besoin d'un permis d'installation. Si vous avez des doutes au sujet de l'installation appropriée pour votre situation particulière, contactez votre détaillant ou l'autorité locale des incendies ou du bâtiment. Le fabricant ne garantit pas que cet appareil et ses composants optionnels pourront chauffer votre maison au complet.

Les bruits causés par l'expansion et la contraction lors des cycles de chauffage et de refroidissement sont tout à fait normaux et il faut s'y attendre.

L'appareil doit être fixé au plancher. Pour ce faire, utilisez les supports servant à ancrer l'appareil sur la palette.



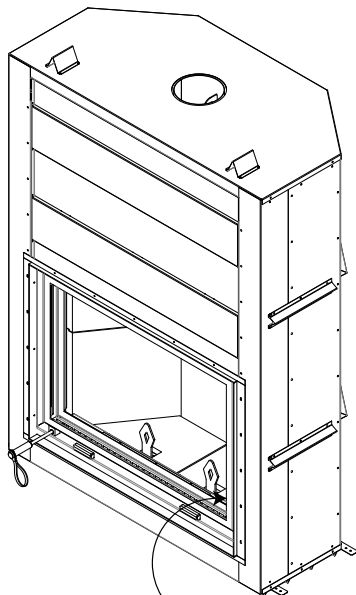
Nous suggérons que nos poêles à bois soient installés et entretenus par des professionnels certifiés aux États-Unis par le National Fireplace Institute® (NFI) et au Canada par le Wood Energy Technical Training (WETT).





## 2.6 INFORMATION SUR LA PLAQUE D'HOMOLOGATION

La plaque d'homologation est située derrière la façade et la système de guidage sur la droite. Cette illustration est à titre de référence seulement. Consultez la plaque d'homologation sur l'appareil pour obtenir l'information précise.

**NOTE:** La plaque d'homologation doit rester avec l'appareil à tout instant. Il ne doit pas être enlevé.



**RATING PLATE LOCATION**  
EMPLACEMENT DE LA PLAQUE D'HOMOLOGATION

|  |  |   |               |                      |   |                                 |                |                    |      |                            |                     |                         |      |
|--|--|---|---------------|----------------------|---|---------------------------------|----------------|--------------------|------|----------------------------|---------------------|-------------------------|------|
| CERTIFIED TO / CERTIFIÉ SELON: ULC-S610, UL-127  |  |   |               |                      |   |                                 |                |                    |      |                            |                     |                         |      |
| <br>9700539 (WSL)<br>4001657 (NGZ)<br>4001658 (NAC)<br>4001659 (WUSA)   | MODEL / N° DE MODÈLE<br><b>NZ7000</b>  |   |               |                      |   |                                 |                |                    |      |                            |                     |                         |      |
| MODEL / N° DE MODÈLE<br><b>NZ8000*</b><br>NZ8000 AVERAGE EMISSION / ÉMISSION MOYENNE 4.87 g/kg<br>CERTIFIED TO ASTM E2515, ASTM E2558 / CERTIFIÉ AUX ASTM E2515, ASTM E2558<br>LISTED FACTORY BUILT FIREPLACE / PHASE 2 EMISSION LEVEL QUALIFIED. LOW MASS WOOD BURNING FIREPLACE. / FOYER PRÉFABRIQUÉ HOMOLOGUÉ. LS PHASE 2 NIVEAU QUALIFIÉ D'ÉMISSION. FOYERS AU BOIS À FAIBLE MASSE.<br>MODEL CERTIFICATION DATE / DATE DE CERTIFICATION <b>08/03/16</b>  |  |   |               |                      |   |                                 |                |                    |      |                            |                     |                         |      |
| LISTED FACTORY BUILT FIREPLACE / FOYER PRÉFABRIQUÉ HOMOLOGUÉ<br>HIGH COUNTRY   |  |   |               |                      |   |                                 |                |                    |      |                            |                     |                         |      |
| INSTALL AND USE ONLY IN ACCORDANCE WITH WOLF STEEL LTD. INSTALLATION INSTRUCTIONS AND OWNER'S MANUAL. CONTACT LOCAL BUILDING OR FIRE OFFICIALS ABOUT RESTRICTIONS AND INSTALLATION INSPECTION IN YOUR AREA. DO NOT CONNECT THIS UNIT TO A CHIMNEY SERVING ANOTHER APPLIANCE.   |  |   |               |                      |   |                                 |                |                    |      |                            |                     |                         |      |
| POUR INSTALLATION ET UTILISATION CONFORMÉMENT AUX MANUEL WOLF STEEL LTD. RENSEIGNEZ-VOUS AUPRÈS DES AUTORITÉS LOCALES DU BÂTIMENT OU DU SERVICE DES INCENDIES AU SUJET DES RESTRICTIONS ET DES INSPECTIONS D'INSTALLATION DANS VOTRE RÉGION. NE PAS RACCORDER À LA CHEMINÉE D'UN AUTRE APPAREIL.   |  |   |               |                      |   |                                 |                |                    |      |                            |                     |                         |      |
| Use Solid wood, processed solid fuel fire logs (or other specified type) fuel only. / Utilisez du bois massif, transformés solides bûches de combustible (ou un autre type spécifié) combustible seulement.  |  |   |               |                      |   |                                 |                |                    |      |                            |                     |                         |      |
| *FOR MODEL NZ8000 ONLY / *POUR LA MODÈLE NZ8000 SEULEMENT<br>QUALIFIED EPA PHASE 2 MODEL UNTIL AUGUST 2019 / QUALIFIÉ EPA PHASE 2 MODÈLE JUSQU'À AOÛT 2019<br>MANUFACTURE DATE / DATE DE FABRICATION<br><input type="checkbox"/> 2016 <input type="checkbox"/> 2017 <input type="checkbox"/> 2018 <input type="checkbox"/> 2019<br><input type="checkbox"/> Jan./Jan. <input type="checkbox"/> Apr./Avr. <input type="checkbox"/> Jul./Juill. <input type="checkbox"/> Oct./Oct.<br><input type="checkbox"/> Feb./Fév. <input type="checkbox"/> May/Mai <input type="checkbox"/> Aug./Août. <input type="checkbox"/> Nov/Nov.<br><input type="checkbox"/> Mar./Mars. <input type="checkbox"/> Jun./Juin <input type="checkbox"/> Sep./Sept. <input type="checkbox"/> Dec/Déc.                | <b>WARNING :</b><br>For use with screen or glass door fully closed. Replace ceramic glass only with ceramic glass obtained from the dealer and certified for use with this appliance.<br>Not for use in a Mobile Home. |   |               |                      |   |                                 |                |                    |      |                            |                     |                         |      |
| <b>AVERTISSEMENT:</b><br>Pour une utilisation avec l'écran ou la porte complètement fermée. Remplacer verre céramique seulement uniquement avec verre céramique obtenue auprès du concessionnaire et certifiés pour une utilisation avec cet appareil.<br>Ne peut pas être installé dans une maison mobile.  |  |   |               |                      |   |                                 |                |                    |      |                            |                     |                         |      |
| Do not use a fireplace insert or other products not specified for use with this product.<br>Ne utiliser pas un insert de cheminée ou d'autres produits non spécifiés pour l'utilisation avec ce produit.   |  |   |               |                      |   |                                 |                |                    |      |                            |                     |                         |      |
| <b>COMPONENTS REQUIRED FOR INSTALLATION:</b><br>SHIPPED WITH THE FIREPLACE: INSTALLATION MANUAL EMBER STRIP<br>NOT SHIPPED WITH THE FIREPLACE: REFRACTORY BRICKS<br><b>CHIMNEY REQUIREMENTS (see installation manual):</b><br>Chimney must be certified to one of the following standards:<br>ULC-S629, ULC-S604, ULC-S610 for Canada or UL-103HT, UL-103 for the United States.<br>Air cooled chimney: Use DuraVent DuraChimney II.   |  |   |               |                      |   |                                 |                |                    |      |                            |                     |                         |      |
| <b>COMPONENTS REQUIS POUR L'INSTALLATION:</b><br>LIVRÉ AVEC LE FOYER: MANUEL D'INSTRUCTIONS PARE-BRAISES<br>NE LIVRÉ AVEC LE FOYER: BRIQUE RÉFRACTAIRE<br><b>EXIGENCES POUR LA CHEMINÉE (voir le manuel d'instructions)</b><br>La cheminée doit être certifiée selon l'une des normes suivantes :<br>ULC-S629, ULC-S604, ULC-S610 pour le Canada ou selon les normes UL-103HT, UL-103 pour les États-Unis.<br>Cheminée refroidie à l'air: Utilisez DuraVent DuraChimney II.  |  |   |               |                      |   |                                 |                |                    |      |                            |                     |                         |      |
| <table border="0"> <tr> <td>HAUTEUR MINIMALE DE LA CHEMINÉE (DE HAUT DE L'APPAREIL)</td> <td>12 pi (3,66m)</td> <td># MAXIMAL DE COUDES:</td> <td>4</td> </tr> <tr> <td>HAUTEUR MAXIMALE DE LA CHEMINÉE</td> <td>40 pi (12,1 m)</td> <td>BUSE D'ÉVACUATION:</td> <td>12"Ø</td> </tr> <tr> <td>ANGLE DE DÉVIATION MAXIMAL</td> <td>30° US - 45° CANADA</td> <td>MIN. CHEMINÉE DIAMÈTRE:</td> <td>10"Ø</td> </tr> </table>   |  | HAUTEUR MINIMALE DE LA CHEMINÉE (DE HAUT DE L'APPAREIL) | 12 pi (3,66m) | # MAXIMAL DE COUDES: | 4 | HAUTEUR MAXIMALE DE LA CHEMINÉE | 40 pi (12,1 m) | BUSE D'ÉVACUATION: | 12"Ø | ANGLE DE DÉVIATION MAXIMAL | 30° US - 45° CANADA | MIN. CHEMINÉE DIAMÈTRE: | 10"Ø |
| HAUTEUR MINIMALE DE LA CHEMINÉE (DE HAUT DE L'APPAREIL)  | 12 pi (3,66m)  | # MAXIMAL DE COUDES:                                    | 4             |                      |   |                                 |                |                    |      |                            |                     |                         |      |
| HAUTEUR MAXIMALE DE LA CHEMINÉE  | 40 pi (12,1 m)   | BUSE D'ÉVACUATION:                                      | 12"Ø          |                      |   |                                 |                |                    |      |                            |                     |                         |      |
| ANGLE DE DÉVIATION MAXIMAL   | 30° US - 45° CANADA  | MIN. CHEMINÉE DIAMÈTRE:                                 | 10"Ø          |                      |   |                                 |                |                    |      |                            |                     |                         |      |
| PREVENT CREOSOTE FIRE: INSPECT CHIMNEY AND CHIMNEY CONNECTOR, IF APPLICABLE, TWICE MONTHLY AND CLEAN IF NECESSARY. DO NOT OVERFIRE. IF EXTERIOR OF UNIT GLOWS RED, YOU ARE OVERFIRING. KEEP FURNISHINGS AND OTHER COMBUSTIBLE MATERIALS A CONSIDERABLE DISTANCE AWAY FROM APPLIANCE. TYPE OF FUEL: SOLID WOOD ONLY. PRÉVENIR LES FEUX DE CREOSOTE: INSPECTEZ LA CHEMINÉE OU LE RACCORD DE CHEMINÉE, SI APPLICABLE, DEUX FOIS PAR MOIS ET NETTOYEZ SI NÉCESSAIRE. NE SURCHAUFFEZ PAS: SI L'EXTÉRIEUR DE L'UNITÉ DEVIENT ROUGE, VOUS SURCHAUFFEZ. GARDEZ LES MEUBLES ET AUTRES MATÉRIELS COMBUSTIBLES À UNE DISTANCE CONSIDÉRABLE DE L'APPAREIL DE CHAUFFAGE. TYPE DE COMBUSTIBLE: SOLIDE BOIS SEULEMENT.  |  |   |               |                      |   |                                 |                |                    |      |                            |                     |                         |      |
| IMPORTANT: BEFORE COMMENCING INSTALLATION, REFER TO THE LABEL LOCATED BEHIND THE FACEPLATE AND TO THE MANUFACTURER'S INSTALLATION INSTRUCTIONS PACKAGED TOGETHER WITH THIS UNIT. THE INSTALLATION MUST BE APPROVED BY THE AUTHORITY HAVING JURISDICTION. AVANT DE COMMENCER L'INSTALLATION, RÉFÉREZ-VOUS À L'ÉTIQUETTE QUI SE TROUVE DERRIÈRE LA FAÇADE AINSI QU'ÀUX INSTRUCTIONS D'INSTALLATION DU MANUFACTURIER FOURNIES AVEC L'APPAREIL. L'INSTALLATION DOIT ÊTRE APPROUVÉE PAR L'AUTORITÉ COMPÉTENTE.  |  |   |               |                      |   |                                 |                |                    |      |                            |                     |                         |      |
| *This model meets the U.S. EPA Wood-burning Fireplace Program Phase 2 emission level. To minimize smoke, always operate your fireplace in accordance with the manufacturer's instructions found in the owner's manual. Additional information about EPA's Program is available at <a href="http://www.epa.gov/burnwise/index.html">www.epa.gov/burnwise/index.html</a> / Ce modèle répond à la Cheminée programme de phase de niveau 2 des émissions États-Unis EPA à bois. Pour minimiser la fumée, toujours fonctionner votre foyer conformément aux instructions du fabricant figurant dans le manuel du propriétaire. Des renseignements supplémentaires sur le programme de l'EPA est disponible à <a href="http://www.epa.gov/burnwise/index.html">www.epa.gov/burnwise/index.html</a> |  |   |               |                      |   |                                 |                |                    |      |                            |                     |                         |      |
| <br>24 NAPOLEON ROAD, BARRIE, ONTARIO L4M 0G8 CANADA<br>NZ7000 / NZ8000<br>W385-2168 / A   |  |   |               |                      |   |                                 |                |                    |      |                            |                     |                         |      |



### 3.0 PLANIFICATION DE L'INSTALLATION

| <b>! AVERTISSEMENT</b>  |
|---|
| <b>PORTEZ DES GANTS ET DES LUNETTES DE PROTECTION.</b>  |
| <b>SUIVEZ ATTENTIVEMENT LES INSTRUCTIONS POUR L'ASSEMBLAGE DE LA CHEMINÉE ET DES AUTRES COMPOSANTS NÉCESSAIRES À L'INSTALLATION DE L'APPAREIL. TOUTE OMISSION POURRAIT CAUSER UN INCENDIE, PARTICULIÈREMENT SI DES MATÉRIAUX COMBUSTIBLES SONT TROP PRÈS DE L'APPAREIL OU DE LA CHEMINÉE ET QUE DES OUVERTURES D'AIR SONT BLOQUÉES, EMPÊCHANT LA LIBRE CIRCULATION DE L'AIR DE REFOUILLISSEMENT.</b>  |
| <b>N'INSTALLEZ PAS LA PRISE D'AIR EXTÉRIEUR DANS LE GARAGE. LES PRODUITS D'ÉCHAPPEMENT PROVENANT DES MOTEURS À ESSENCE SONT DANGEREUX.</b>  |
| <b>N'INSTALLEZ PAS LA PRISE D'AIR EXTÉRIEUR DANS UN GRENIER, UN SOUS-SOL OU AU-DESSUS DU TOIT OÙ D'AUTRES APPAREILS DE CHAUFFAGE, DES VENTILATEURS ET DES CHEMINÉES ÉVACUENT OU TIRENT DE L'AIR. CES MESURES RÉDUIRONT LES POSSIBILITÉS DE REFOULEMENT DE FUMÉE OU UNE INVERSION DU DÉBIT D'AIR. L'ENTRÉE DE LA PRISE D'AIR DOIT DEMEURER DÉGAGÉE DE FEUILLES, DE DÉBRIS, DE GLACE OU DE NEIGE. ELLE DOIT ÊTRE DÉGAGÉE LORSQUE L'APPAREIL FONCTIONNE AFIN QUE LA PIÈCE NE SOIT PAS PRIVÉE D'AIR, CE QUI PEUT CAUSER DES REFOULEMENTS DE FUMÉE OU UNE INCAPACITÉ À MAINTENIR UN FEU. LES REFOULEMENTS DE FUMÉE PEUVENT AUSSI DÉCLENCHER LES DÉTECTEURS DE FUMÉE.</b> |
| <b>UNE PRESSION NÉGATIVE DANS LA MAISON POURRAIT NUIRE AU RENDEMENT DE L'APPAREIL.</b>  |
| <b>AFIN D'ÉVITER TOUT CONTACT AVEC DE L'ISOLANT QUI S'AFFAISSE, L'APPAREIL NE DOIT PAS ÊTRE INSTALLÉ CONTRE UN COUPE-VAPEUR OU DE L'ISOLANT À DÉCOUVERT. UNE SURCHAUFFE LOCALISÉE PEUT SURVENIR ET UN INCENDIE POURRAIT S'ENSUIVRE.</b>   |
| <b>N'UTILISEZ PAS DE COMPROMIS DE FORTUNE LORS DE L'INSTALLATION. N'OBSTRUEZ PAS, ENTIÈREMENT NI PARTIELLEMENT, LES OUVERTURES D'AIR, LES GRILLES OU LES PERSIENNES. N'AJOUTEZ PAS DE HOTTE.</b>  |
| <b>POUR PRÉVENIR DES BLESSURES GARDEZ VOS OUTILS À MAIN EN BON ÉTAT, AFFÛTEZ LES TRANCHANTS ET ASSUREZ-VOUS QUE LES MANCHES SONT SOLIDES. EN TOUT TEMPS, CONSERVEZ L'ESPACE VIDE MINIMAL REQUIS À L'ENCEINTE AFIN DE PRÉVENIR LES INCENDIES.</b>  |
| <b>VÉRIFIER AVEC LES RESPONSABLES DE LA CONSTRUCTION LOCALE POUR LES PERMIS REQUIS POUR L'INSTALLATION DE CET APPAREIL ET NOTIFIÉ VOTRE COMPAGNIE D'INSURANCE AVANT DE PROCÉDER.</b>  |

FR

### 3.1 DÉGAGEMENT ET EMBLACEMENT

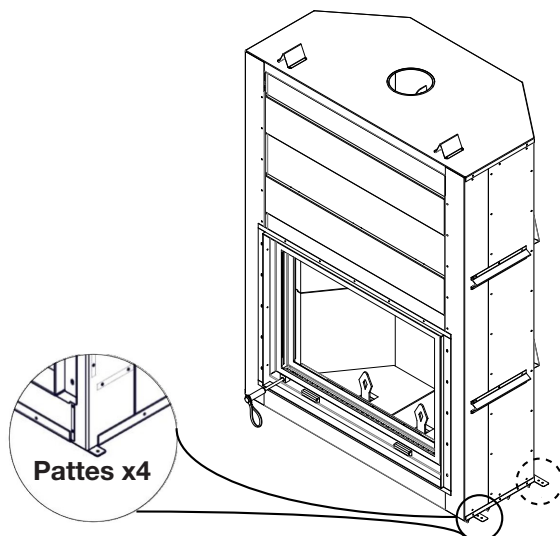
| <b>! AVERTISSEMENT</b>   |
|--|
| <b>NE PAS INSTALLER DANS NE IMPORTE QUELLE ZONE AYANT UNE HAUTEUR INFÉRIEURE À 8 PIEDS (2,4 M) (PLAFOND DE L'ENCEINTE À L'APPAREIL DE FOND, EXCLUANT LA HAUTEUR DE LA CHEMINÉE).</b> |

#### **IMPORTANT**

Cet appareil, tout habillé, pèse 1400lbs (635 kg). Assurez-vous qu'il est le soutien au sol adéquat pour l'appareil, cheminée et matériau de parement. Certains matériaux pourraient peser des milliers de livres.

**Dans toutes les installations, nous vous recommandons de fixer l'appareil au plancher.**

En vous servant de l'ouverture de la porte comme point de référence, placez des cales sous l'appareil jusqu'à ce qu'il soit de niveau. Retirez les poignées de levage et jetez-les. Dépliez les pattes vers le bas et fixez l'appareil au plancher.



### 3.1.1 OUVERTURES DE VENTILATION

Il est recommandé d'installer une grille d'aération (ouvertures minimales de 40 pouces carrés) au niveau du plancher et une autre au niveau du plafond de l'enceinte. Ces grilles ne peuvent pas restreindre la circulation de la chaleur de plus de 25%. N'installez pas l'appareil dans un espace ayant moins de 8 pieds de hauteur (du plafond de l'enceinte au bas de l'appareil, excluant la hauteur de la base de protection).

### 3.2 AIR COMBURANT EXTÉRIEUR

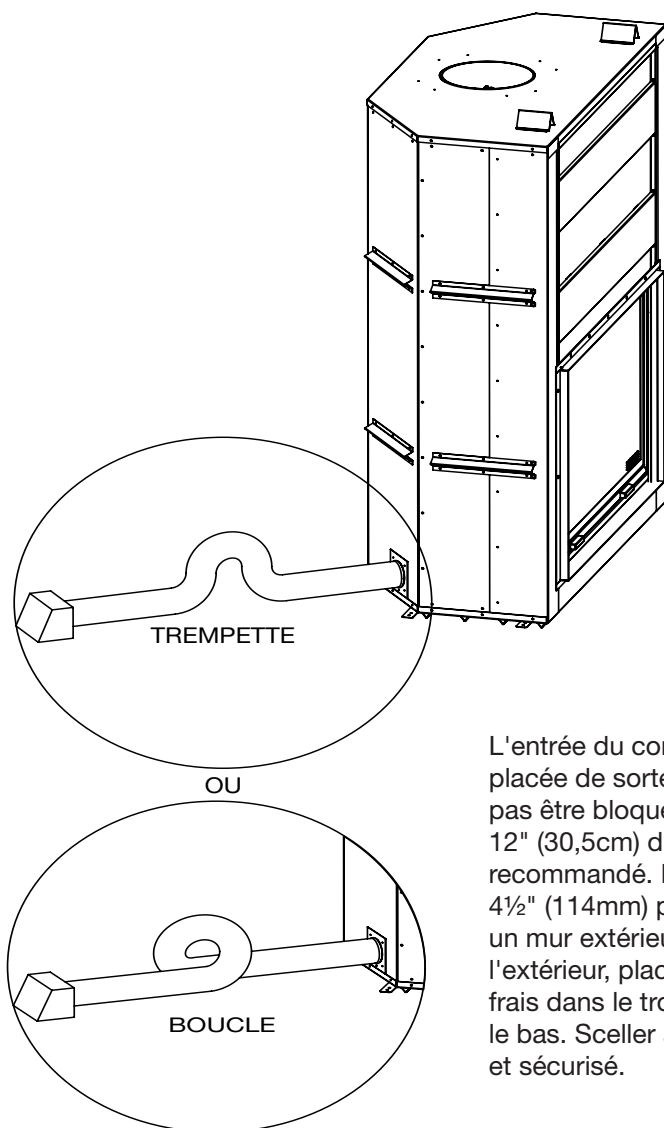
Il est recommandé d'installer l'air extérieur à l'appareil car cela vous aidera à empêcher toute fumée entrant dans l'espace de vie dans les foyers que expérimentent des pressions négatives. Consultez les autorités locale compétent; il peut être requis.

Il est conseillé d'isoler les gaines de prise d'air dans les climats plus froids afin d'éviter la condensation.

Il est recommandé qu'une trempette ou la boucle est mis dans le conduit à créer un piège à air froid afin d'éviter l'air froid qui se jettent dans la chambre quand l'appareil est hors service.

Les modèles NZ7000/8000 achemine l'air extérieur directement dans l'appareil à travers les ouvertures situées du côté gauche de l'appareil.

Les conduits d'air extérieur et les hottes doivent être installés inférieur au foyer. Fixez et scellez les conduits d'air extérieur aux collets de l'appareil à l'aide de 3 vis à métal et de scellant à haute température.



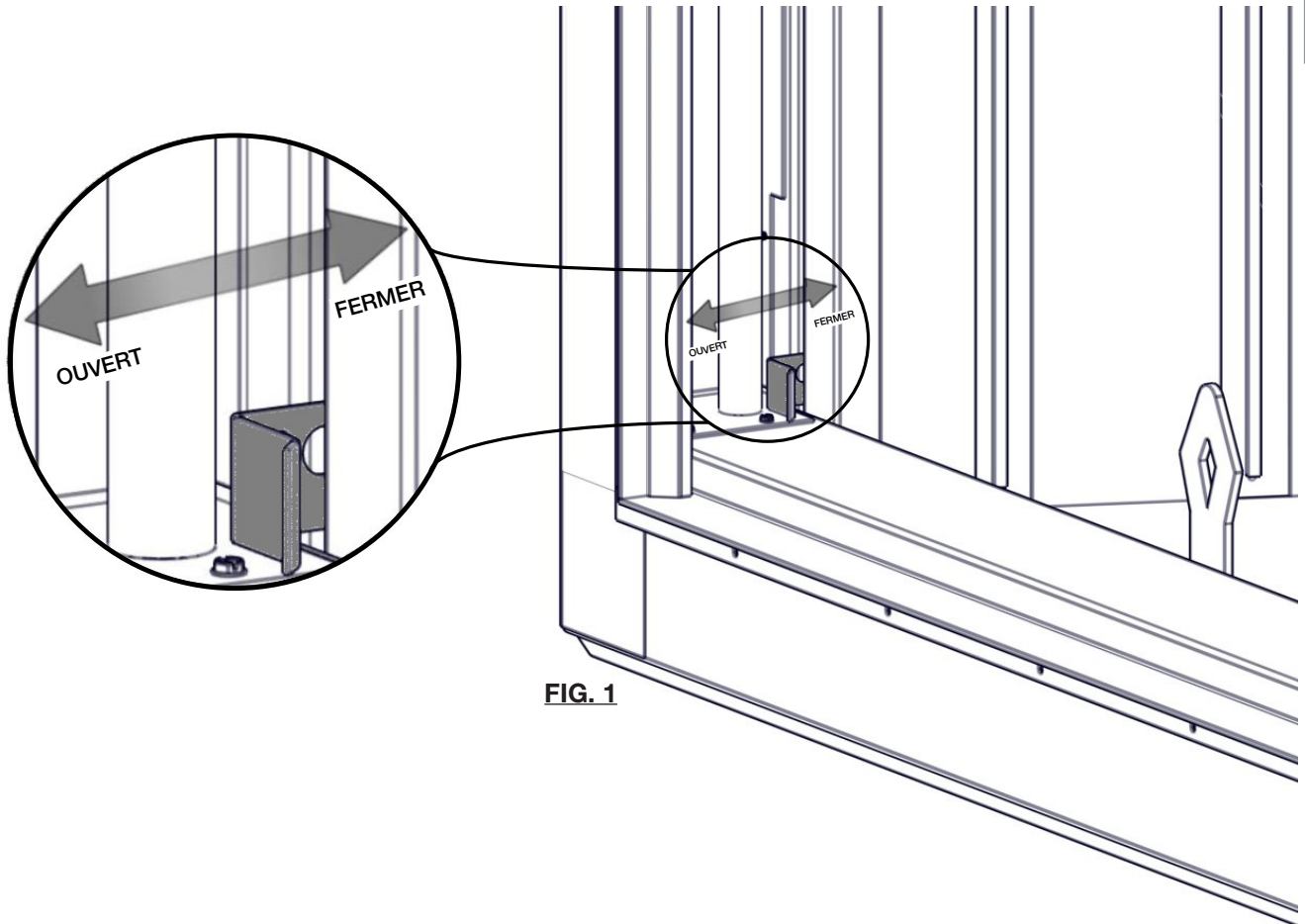
L'entrée du conduit doit être placée de sorte qu'elle ne peut pas être bloquée (c.-congères). 12" (30,5cm) du sol est recommandé. Faites un trou de 4½" (114mm) pour répondre dans un mur extérieur de la maison. De l'extérieur, placez le capot de l'air frais dans le trou, côté ouvert vers le bas. Sceller avec du calfeutrage et sécurisé.

### 3.2.1 OPÉRATION DE L'AIR COMBUSTION EXTÉRIEUR

Le contrôle d'air de combustion extérieur se trouve sur le côté gauche de l'appareil directement derrière le rail de guidage de la porte vitrée. **(FIG.1)**

Avant d'allumer l'appareil, s'assurer que le contrôle d'air de combustion extérieure est ouverte en tirant le levier vers l'avant de l'appareil.

Avant de fermer le contrôle d'air de combustion à l'extérieur, laissez l'appareil refroidir complètement. Pour fermer, poussez le levier vers l'appareil.



**FIG. 1**

### 3.3 PROTECTION DU PLANCHER

#### 3.3.1 PARE-BRAISES ET BASE DE PROTECTION

## ! AVERTISSEMENT

LES BASES DE PROTECTION DOIVENT ÊTRE INSTALLÉES UNIQUEMENT COMME DÉCRIT, AFIN D'EMPÊCHER LES MATÉRIEAUX COMBUSTIBLES DISSIMULÉS D'ÊTRE EXPOSÉS À DE HAUTES TEMPÉRATURES. LES PARE-BRAISES EMPÊCHENT TOUTE PARTICULE CHAUDE OU EN COMBUSTION DE TOMBER DE FAÇON ACCIDENTELLE DIRECTEMENT SUR DES SURFACES COMBUSTIBLES, DANS L'ÉVENTUALITÉ OÙ LE BÂTIMENT BOUGERAIT ET QUE LA CONSTRUCTION D'ORIGINE SERAIT DÉRANGÉE.

Une base de protection incombustible de 70" (177,8cm) x 20" (50,8cm) (c.-à-d. brique, pierre ou carreaux de céramique) doit être installée. Le base de protection doit étendre 20" (50,8cm) devant le plaque de visage. Le foyer doit étendre au moins 12" (30,5cm) aux deux côtés de l'appareil. Voir les codes de bâtiment locaux pour les dimensions plus détaillées.

La base de protection doit se prolonger d'un minimum de 20" (50,8cm) à l'avant de l'appareil; toutefois, si elle est surélevée d'un minimum de 6 1/2" (165mm), cette distance peut être réduite à un minimum de 18" (45,7cm).

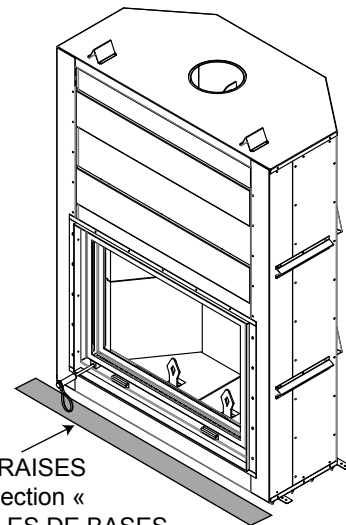
La base de protection doit consister d'un panneau de ciment (ou l'équivalent) d'un minimum de 1" (25mm) d'épaisseur (ou équivalent) plus une tuile de céramique de 1/4" (6,4mm).

Assurez-vous que l'espace entre l'appareil et la base de protection incombustible est scellé avec un coulis de sable/ciment ou recouvert d'un pare-braises (ou les deux) afin d'éviter que des étincelles et des braises ne tombent dans cette zone.

Des bases de protection surélevées doivent être construites avec des matériaux incombustibles comme des blocs de ciment ou des briques.

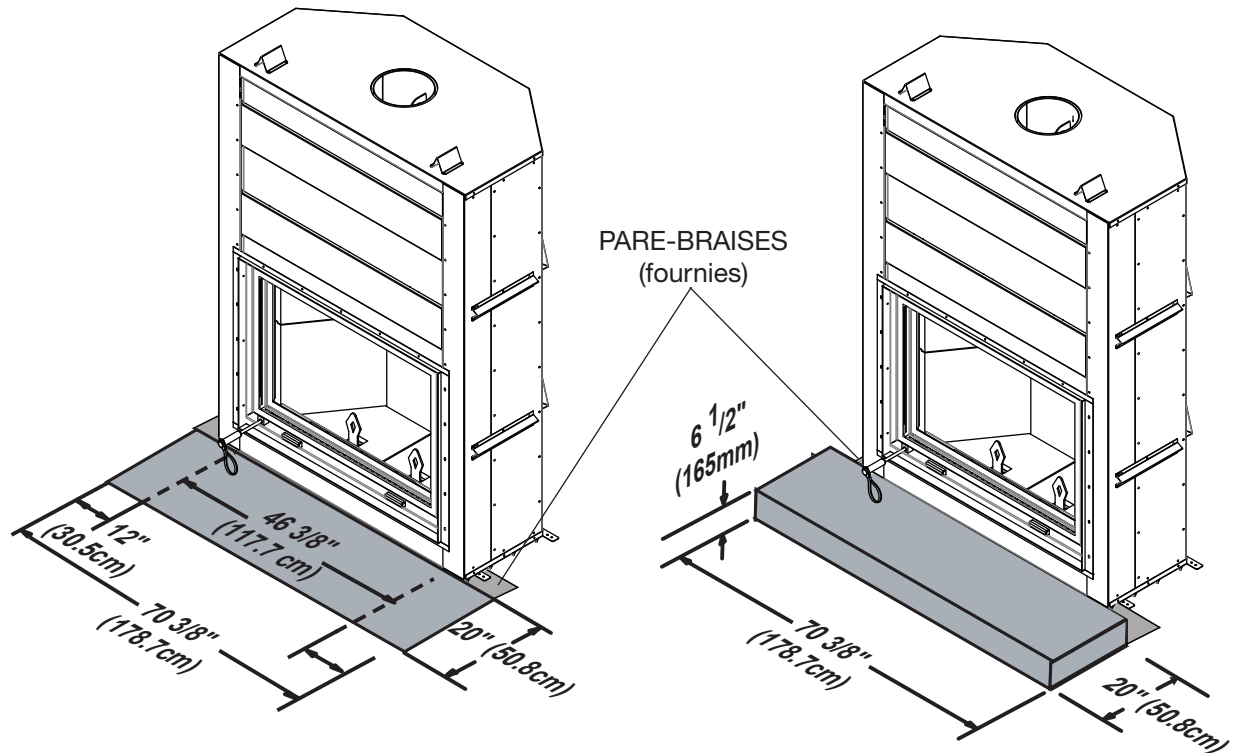
Bien que l'appareil puisse être installé directement sur le plancher (à l'aide du pare-braises), une base de protection incombustible est requise à l'avant de l'appareil. Cette base ne doit pas être plus élevée que le bas de la façade de l'appareil. Il serait donc conseillé d'installer l'appareil sur une plate-forme.

Une base de protection surélevée conjointement avec un appareil installé sur une plate-forme sont conseillés pour faciliter le chargement du bois et avoir une meilleure visibilité du feu.



PARE-BRAISES  
(voir la section «  
EXEMPLES DE BASES  
DE PROTECTION »).

### 3.3.2 BASE DE PROTECTION



Une acceptable base de protection incombustible de 70" (177,8cm) x 20" (50,8cm) de base de protection doit être installée. La base de protection doit se prolonger de 20" (50,8cm) à l'avant de la façade. La base de protection doit se prolonger d'un minimum de 12" (30,5cm) de chaque côté de l'appareil [70" (177,8cm)]. Voir les codes du bâtiment locaux pour les dimensions plus détaillées.

VOIR LES  
EXEMPLES  
DE BASES DE  
PROTECTION

La base de protection doit consister d'un panneau de ciment (ou l'équivalent) d'un minimum de 1" (25mm) d'épaisseur plus une tuile de céramique de 1/4" (6,4mm).

Assurez-vous que l'espace entre l'appareil et la base de protection incombustible est scellé avec un coulis de sable/ciment ou recouvert d'une bande métallique (ou les deux) afin d'éviter que des étincelles et des braises ne tombent dans cette zone.

#### BASE DE PROTECTION

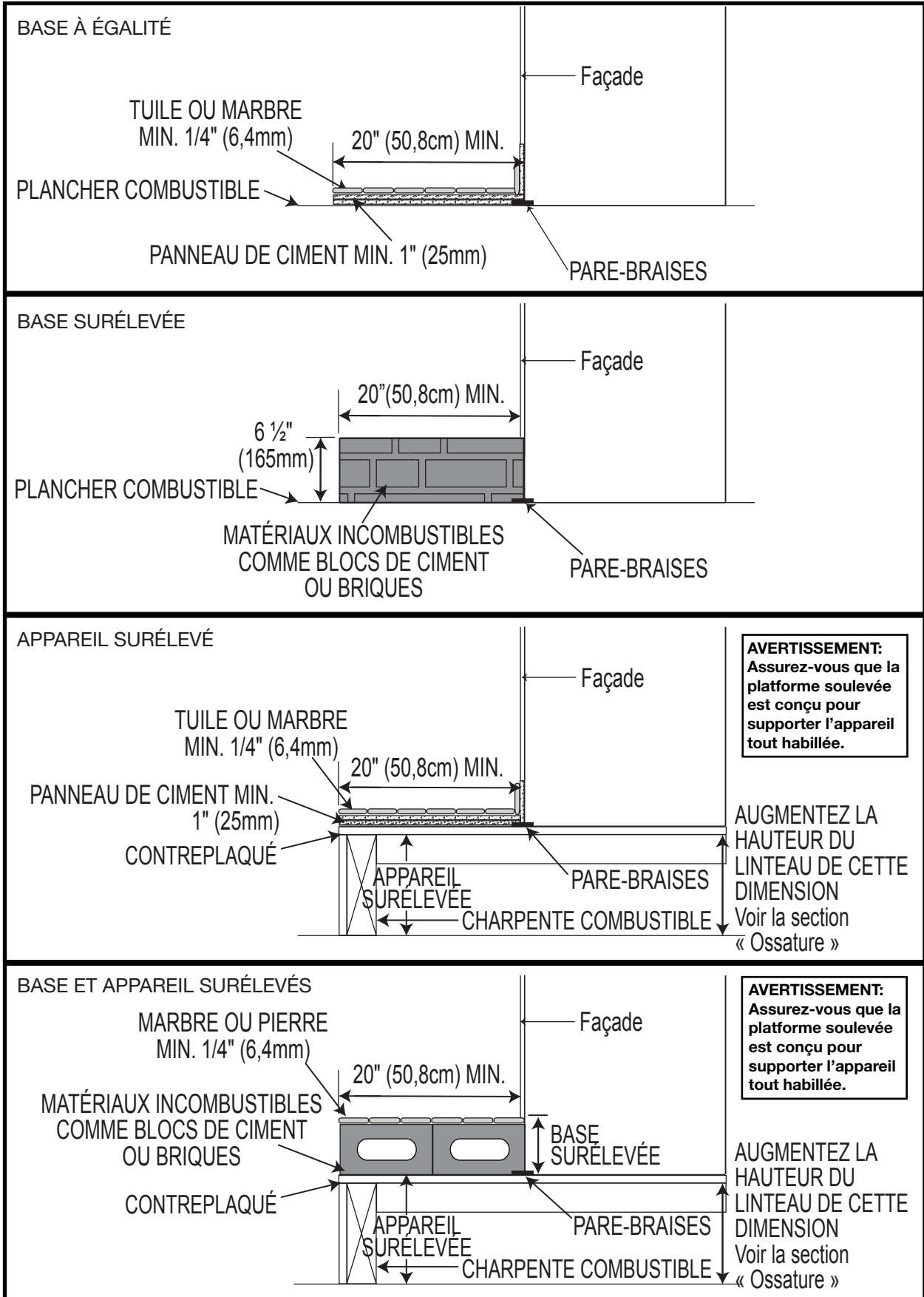
Des bases de protection surélevées doivent être construites avec des matériaux incombustibles comme des blocs de ciment ou des briques.

Bien que l'appareil puisse être installé directement sur le plancher (à l'aide du pare-braises), une base de protection incombustible est requise à l'avant de l'appareil. Cette base ne doit pas être plus élevée que le bas de la façade de l'appareil. Il serait donc conseillé d'installer l'appareil sur une plate-forme.

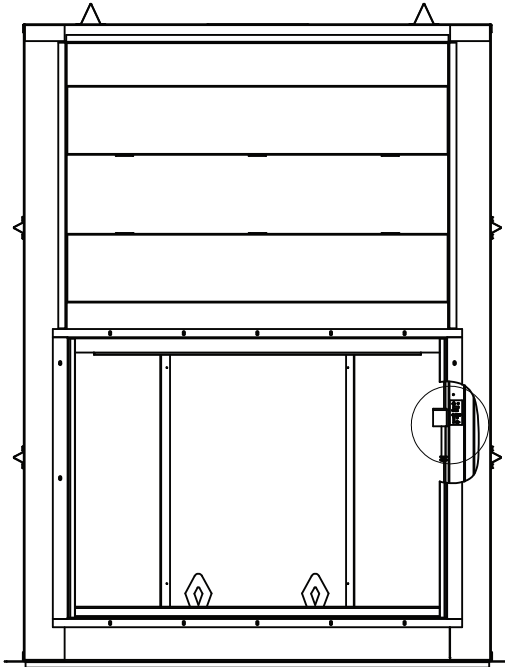
Les bases de protection d'une hauteur minimale de 6 1/2" (165mm) doivent se prolonger d'un minimum de 18" (45,7cm) à l'avant.

3.3.3 EXEMPLES DE BASES DE PROTECTION

FR



### 3.3.4 OPÉRATION DE REGISTRE

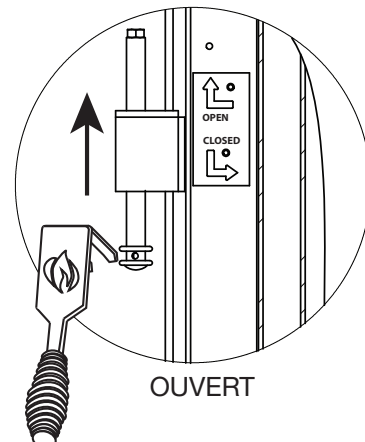


Pour fermer le registre, tirez la tige de commande de l'amortisseur vers le bas et poussez-le vers la droite. Pour ouvrir le registre, pousser la tige de commande de l'amortisseur sur le côté gauche et la libéré.

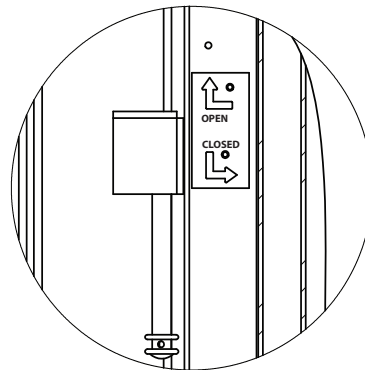
**NOTE :** Le registre doit être en position "OUVERT" lors de la combustion.

**NOTE :** Si le registre devient non fileté, il restera situé dans la position "OUVERT".

**NOTE :** Si le registre ne fonctionne pas correctement, ne procédez pas avec l'installation de la cheminée. L'opération du registre devrait être vérifier à fond avant la cheminée est installée.



OUVERT



FERMÉ

## 4.0 INSTALLATION

### ! AVERTISSEMENT

**NE JAMAIS INSTALLER UN CONDUIT DE RACCORDEMENT À PAROI SIMPLE DANS UNE ENCEINTE. LES TEMPÉRATURES PLUS ÉLEVÉES DE CE CONDUIT PEUVENT IRRADIER SUFFISAMMENT DE CHALEUR AUX MATÉRIAUX COMBUSTIBLES POUR CAUSER UN INCENDIE.**

**POUR ÉVITER UN RISQUE D'INCENDIE, VOUS DEVEZ SUIVRE TOUTES LES INSTRUCTIONS À LA LETTRE, INCLUANT LES DÉGAGEMENTS ENTRE LE SYSTÈME DE CONDUITS ET L'ENCEINTE. AFIN DE PROTÉGER LES PIÈCES EXPOSÉES AUX INTEMPÉRIES CONTRE LA CORROSION, NOUS CONSEILLONS QUE LE DESSUS DE L'ENCEINTE SOIT PEINT AVEC UNE PEINTURE ANTIROUILLE.**

**CONSERVEZ UN DÉGAGEMENT MINIMAL DE 2" À TOUTES LES PIÈCES DU SYSTÈME DE CONDUITS EN TOUT TEMPS. NE PAS CONSERVER CE DÉGAGEMENT DE 2" CAUSERA UN INCENDIE.**

**DES INSTRUCTIONS DÉTAILLÉES SUR L'INSTALLATION DU DESSUS DE L'ENCEINTE, DU COLLET DE SOLIN ET DU CHAPEAU SONT INCLUSES AVEC CES PIÈCES.**

**DES ESPACEURS COUPE-FEU DOIVENT ÊTRE UTILISÉS LORS QUE LE SYSTÈME DE CONDUITS TRAVERSE UN PLAFOND/PLANCHER.**

**LA CHEMINÉE DOIT ÊTRE EN BON ÉTAT ET NE PAS ÊTRE FÊLÉE. NETTOYEZ LA CHEMINÉE AU MOINS DEUX FOIS PAR ANNÉE ET LORSQUE NÉCESSAIRE**

Une base de protection surélevée conjointement avec un appareil installé sur une plate-forme sont conseillés pour faciliter le chargement du bois et avoir une meilleure visibilité du feu.

### 4.1 CHEMINÉE

**NOTE:** Tous les raccordements d'évacuation doivent se conformer aux instructions d'installation du fabricant de la cheminée.

Cet appareil a été testé selon les normes CAN/ULC S610 et UL 127 pour les foyers préfabriqués. Cet appareil est approuvé pour des installations à dégagement zéro aux surfaces combustibles et est certifié pour brûler du bois de chauffage uniquement.

Toutes les cheminées de 10 po (254 mm) ou de 12 po (30,5cm) de diamètre homologuées aux normes CAN/ULC S610 pour Canada ou UL127 pour l'États-Unis ou aux normes ci-après : CAN/ULC-S604 et CAN/ULC-S629 pour le Canada ou UL-103 ou UL103HT pour les États-Unis.

L'installation des différents types de système de cheminée préfabriquée devra se conformer aux instructions d'installation du fabricant de la cheminée. Pour amorcer l'installation, une plaque d'ancrage et un joint d'étanchéité adéquats, provenant du fabricant de la cheminée, sont requis. Utilisez le joint d'étanchéité à haute température fourni pour sceller l'espace entre la plaque d'ancrage et le dessus de l'appareil. Un système de cheminée refroidie à l'air n'est pas recommandé dans les climats plus froids.

Les sections de cheminée doivent être adéquatement fixer un à l'autre pour assurez qu'elles ne séparent pas. Pour obtenir les instructions d'installation complètes de la cheminée, référez-vous aux instructions fournies avec le système de cheminée.

Une cheminée servant d'évacuation à l'appareil ne doit pas servir pour aucun autre appareil. La hauteur minimale de la cheminée à partir du dessus de l'appareil est de 15pi (4.6m). La hauteur maximale de la cheminée à partir du dessus de l'appareil est de 34pi (10.4m).

Les systèmes de cheminée préfabriquée conçus pour des résidences de trois familles ou plus doivent être enchâssés au-dessus de la pièce où se trouve l'appareil. Ce coffrage doit avoir un indice de résistance au feu égal ou supérieur à celui du plancher ou du toit qu'il traverse.

La cheminée ne devrait pas être construite avec un angle de déviation excédant 45° au Canada et 30° aux États-Unis. Assurez-vous que les dégagements minimaux sont conservés.

Les parties de la cheminée qui franchissent des espaces accessibles devront toujours être enchâssées afin d'éviter tout contact personnel et par conséquent éviter d'endommager la cheminée.

La cheminée doit être supportée à des intervalles de 20 pieds (6.1m) maximum. Chaque 20 pieds de cheminée peut peser jusqu'à environ 200lb (90.7kg).

Lors de l'utilisation d'une cheminée de 10 po (254 mm), centrez la plaque d'ancrage à la buse de l'appareil.

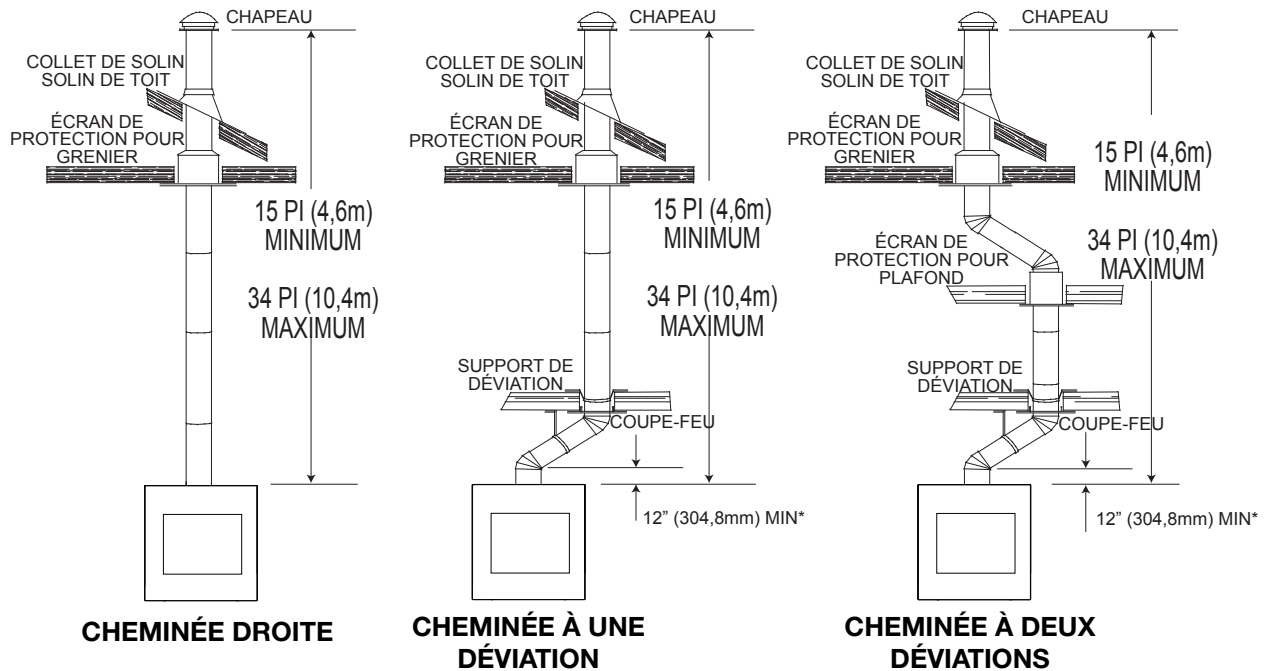
**NOTE:** Des installations de la cheminée de maçonnerie ne sont pas permis.



**PLAQUE D'ANCRAGE POUR UNE CHEMINÉE PRÉFABRIQUÉE**



## 4.2 INSTALLATION TYPIQUE DE LA CHEMINÉE (Cheminée Pleine ou Redroïdie à l'Air de 10 po ou 12 po)

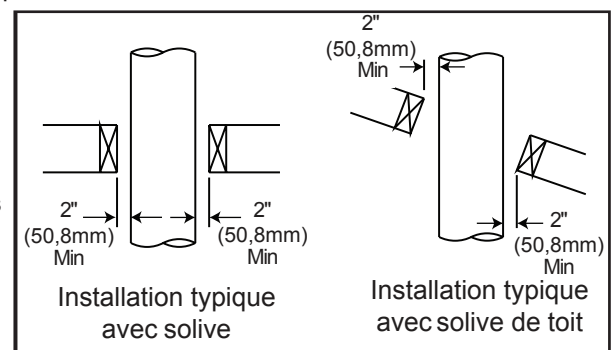
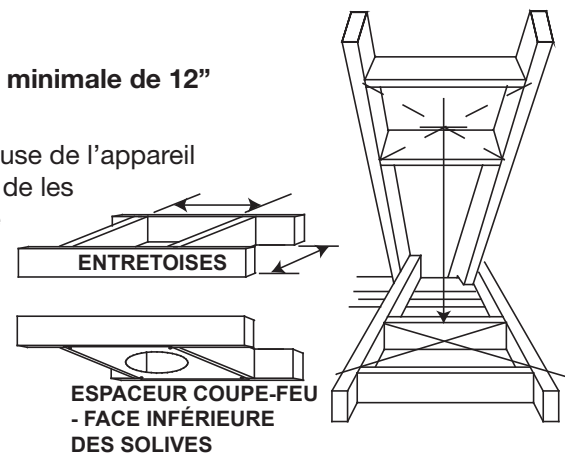


\* La première déviation du conduit doit être à une distance minimale de 12" (30,5cm) du dessus de l'appareil.

1. Mettez l'appareil en place. Essayez de positionner la buse de l'appareil à mi-chemin entre deux solives pour ne pas être obligé de les couper. Utilisez du fil à plomb pour aligner le centre de la buse.
2. Découpez et charpentez une ouverture dans le plafond afin de maintenir un dégagement minimal de 2" (50,8mm) entre l'extérieur de la cheminée et les matériaux combustibles. **NE REMPLISSEZ CET ESPACE AVEC AUCUN TYPE DE MATÉRIAU!** Fixez des entretoises entre les solives pour assurer un support additionnel. Des espaceurs coupe-feu doivent être fixés au bas de chaque ouverture charpentée dans un plancher ou un plafond par lequel traverse la cheminée.
3. Tenez un fil à plomb à partir du dessous du toit pour déterminer où doit se trouver l'ouverture du toit. Découpez et charpentez une ouverture dans le toit tout en conservant le dégagement de 2" (50,8mm).

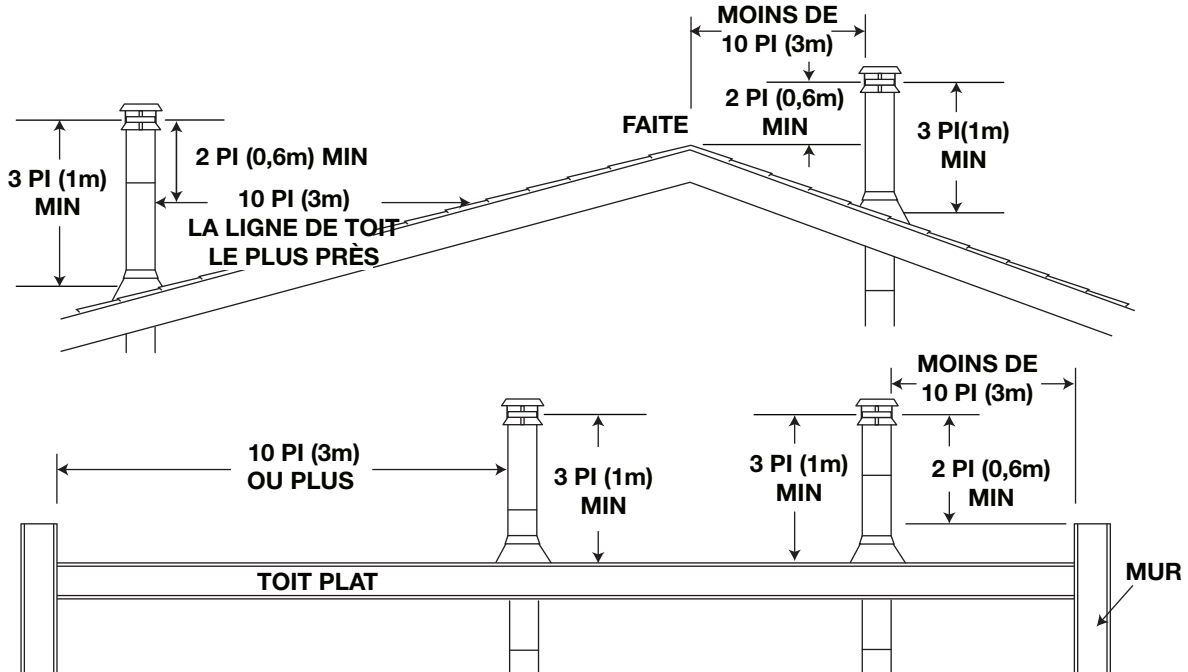
**NOTE :** Des coudes de 30° ou 45° peuvent être installés bout à bout.

**NOTE:** Lorsque vous installez une cheminée redroïdie à l'air de 10 po ou 12 po, un NZAC10KT doit être installé. Voir la section «Installation d'une Cheminée Redroïdie à l'Air».

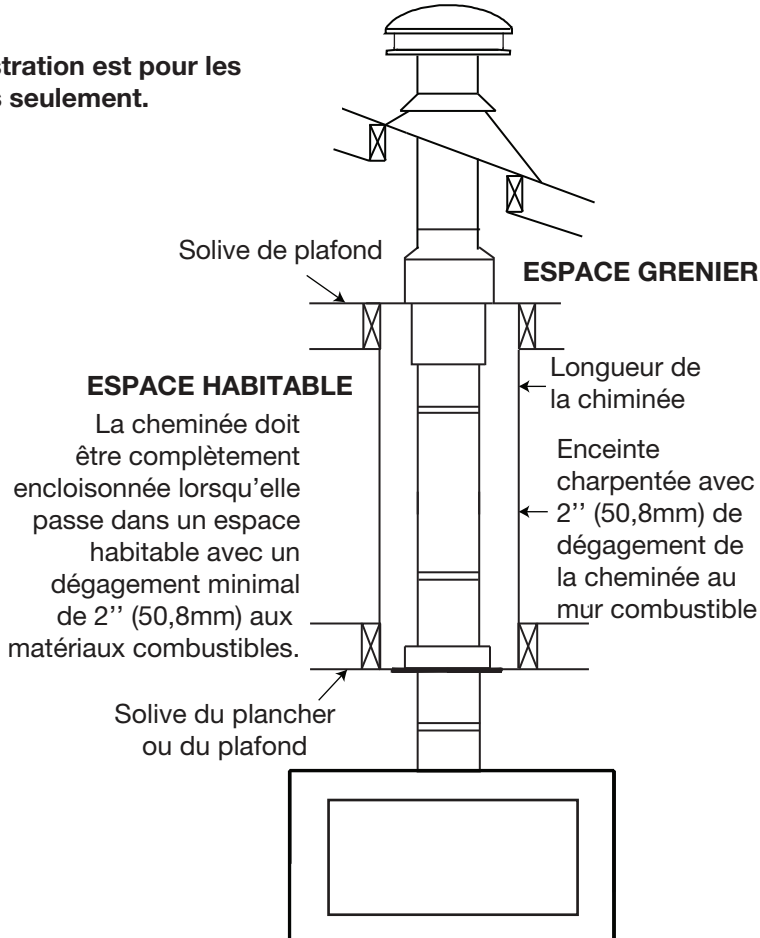


### 4.3 AJOUT DE SECTIONS DE CHEMINÉE

Ajoutez des sections de cheminée, selon les instructions d'installation des manufacturiers. Si la cheminée devra dépasser par l'espace grenier une écran protecteur de chevrons ou une bouclier d'isolation du grenier est requis. La cheminée doit dépasser le toit d'au moins 3' (0,9m) de son point de contact avec la toiture, et 2' (0,6m) de tout mur, toit ou édifice se trouvant à l'intérieur d'une distance horizontale de 10' (3,1m). Si la cheminée dépasse le toit de plus de 5' (1,5m), elle devra être fixée au toit avec un support de toit ou des brides de sécurité. Un chapeau de cheminée devra être installé afin d'éviter des dommages internes et la corrosion.



**NOTE:** Cette illustration est pour les appareils de bois seulement.



## 4.4 INSTALLATION DE LA CHEMINÉE AVEC DÉVIATION

**! AVERTISSEMENT**

**LES CONDUITS DE RACCORDEMENT INSTALLÉS ENTRE UNE DÉVIATION ET UN COUDE DE RETOUR REQUIÈRENT UN SUPPORT AFIN DE RÉDUIRE LA CHARGE EXCENTRÉE ET PRÉVENIR TOUTE SÉPARATION ENTRE LES SECTIONS DE CONDUIT AUX JOINTS.**

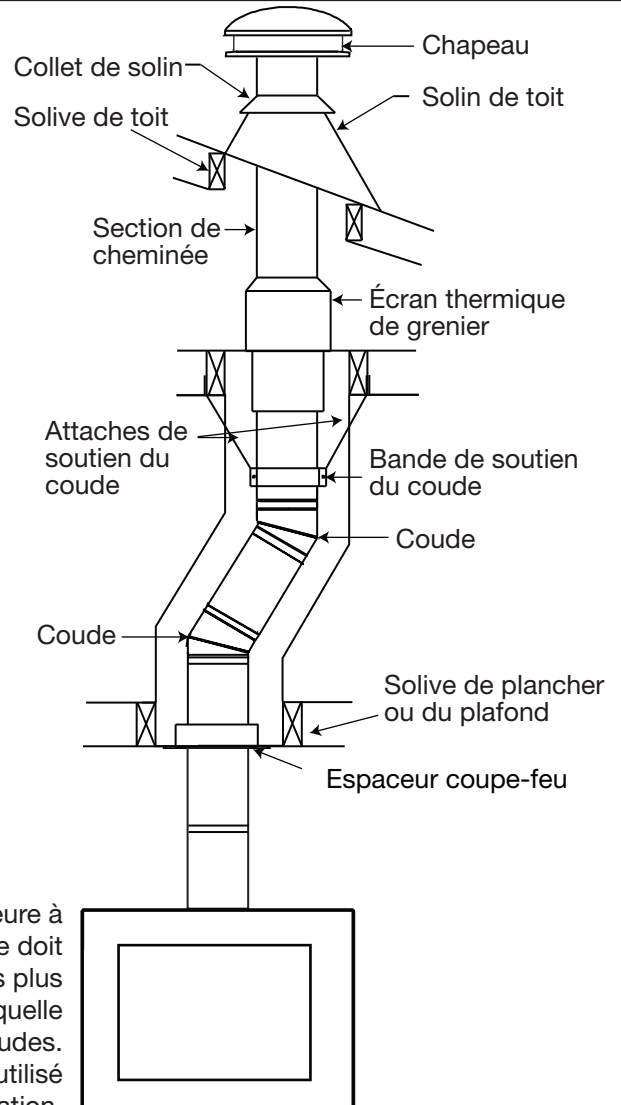
**LA CHEMINÉE NE DEVRAIT PAS ÊTRE CONSTRUITE AVEC UN ANGLE DE DÉVIATION EXCÉDANT 45° AU CANADA ET 30° AUX ÉTATS-UNIS. NE COMBINEZ PAS DE COUDES DE MANIÈRE À EXCÉDER CES ANGLES.**

La première déviation du conduit doit être à une distance minimale de 12" (30,5cm) du dessus de l'appareil.

Fixez un coude à la section de cheminée dans la direction de la déviation. Fixez selon les instructions du fabricant de la cheminée. Les sections de cheminée doivent être adéquatement fixer un à l'autre pour assurer qu'elles ne se séparent pas. Pour une déviation minimale, fixez un coude de retour au premier. Pour obtenir des déviations plus longues, vous pouvez installer n'importe quelle longueur de tuyau disponible entre les coudes. Des supports doivent être utilisés sur la première section verticale de cheminée après un coude de retour.

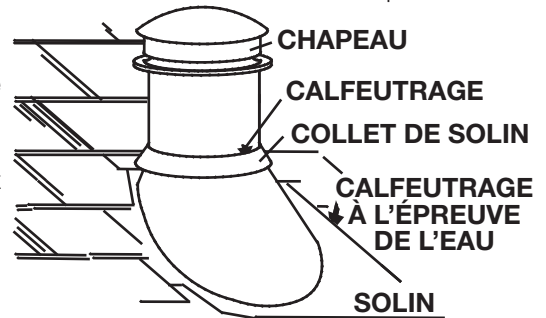
Si la longueur de la déviation est supérieure à 36" (91,4cm), un support intermédiaire doit être utilisé. Pour obtenir des déviations plus longues, vous pouvez installer n'importe quelle longueur de tuyau disponible entre les coudes.

Le support intermédiaire doit être utilisé conjointement avec le support de déviation.



#### 4.5 INSTALLATION DU SOLIN ET DU COLLET DE SOLIN

Les instructions d'installation suivants sont générales pour l'installation du solin autour du cheminée. L'installation de tous les types de systèmes construits en usine doivent être installées en conformité avec les instructions d'installation du fabricant de la cheminée. Enlevez les clous des bardeaux sur le dessus et les côtés de la cheminée. Placez le solin par-dessus le tuyau d'évacuation et glissez-le sous les côtés et le bord supérieur des bardeaux. Assurez-vous que le tuyau est bien centré dans le solin en laissant une marge de 3/4" (19,1mm) tout autour. Fixez-le au toit sur le dessus et les côtés. **NE CLOUEZ PAS** à travers la partie inférieure du solin. Imperméabilisez-le en le scellant avec du calfeutrage. Si possible, recouvrez les côtés et les bords supérieurs du solin avec des matériaux de couvertures. Appliquez un joint de calfeutrage à l'épreuve de l'eau autour de l'évacuation à 1" (25,4mm) au-dessus du haut du solin et glissez le collet de solin jusqu'à la ligne de calfeutrage. Fixez un chapeau vertical au sommet de la dernière section de l'évacuation.



#### 4.6 INSTALLATION D'UNE CHEMINÉE REFROIDIE À L'AIR

N'importe quel cheminée d'air refroidi de 10" (254mm) ou 12" (30,5cm) de diamètre figurant à CAN/ULC-S604 UL-103 pour Canada ou aux États-Unis peuvent être installés. N'importe quel cheminée d'air refroidi choisie pour être utilisés doit avoir des dispositions pour alimenter directement l'air extérieur à la plaque d'ancrage correspondant via scellé le logement ; par exemple, le NZAC10KT qui a été développé spécifiquement pour l'usage avec 10" M & G DuraVent DuraChimney II.

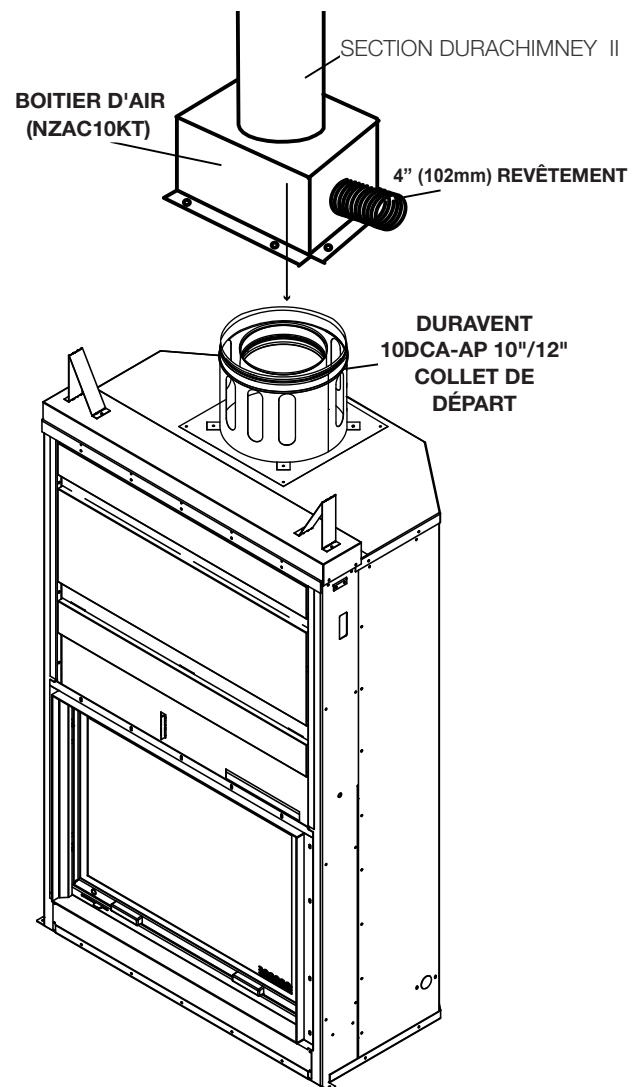
1. Installez le collet de départ (à l'aide du joint d'étanchéité fournie) sur le conduit et fixez-le sur le dessus de l'appareil.
2. Insérez le boîtier à air sur le première section de la cheminée et fixez la cheminée sur le collet de départ.
3. Faites glisser le boîtier à air le long de la cheminée et fixez-le sur le dessus de l'appareil.
4. Branchez la prise d'air extérieure connection pour la cheminée.

**NOTE:** Les fentes de prise d'air du collet de départ doivent être intégralement couvertes par le boîtier à air.

**NOTE:** Suivez les instructions du fabricant cheminée pour l'installation de la cheminée.

**NOTE:** Utiliser l'ensemble de 111KT pour l'air extérieur pour se connecter à un logement de l'air. Longueur maximale de 4" (101,5mm) diamètre revêtement est 20 pi (6 m). S'il faut une plus grande longueur, augmentez le diamètre du revêtement à 6" (152,4mm).

**NOTE:** Une cheminée d'air refroidi requis un approvisionnement d'air extérieur dédié avec un minimum diamètre de revêtement de 4 po. (Pour ne pas être partagés avec l'air extérieur de l'appareil.)



## 5.0 OSSATURE

### ! AVERTISSEMENT

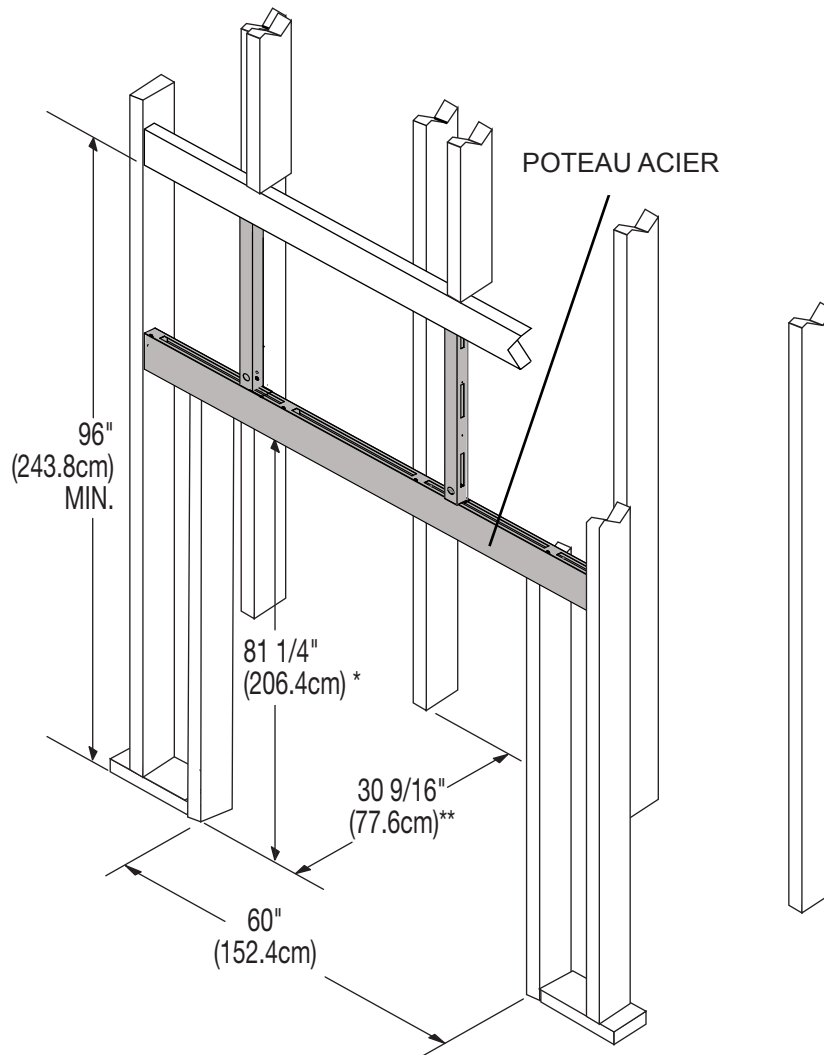
AFIN D'ÉVITER LA POSSIBILITÉ QUE DE L'ISOLANT OU UN COUPE-VAPEUR N'ENTRENT EN CONTACT AVEC L'EXTÉRIEUR DU CAISSON, IL EST CONSEILLÉ D'INSTALLER L'APPAREIL CONTRE DES MURS FINIS (C.-À-D. PANNEAU DE GYPSE), COMME TOUT AUTRE MUR DE LA MAISON. CECI ASSURERA QUE LE DÉGAGEMENT AUX MATÉRIAUX COMBUSTIBLES EST MAINTENU.

UN DÉGAGEMENT MINIMUM DE 6" (152MM) AUX MATÉRIAUX COMBUSTIBLES EST REQUIS DE CHAQUE CÔTÉ DE L'APPAREIL, VOIR LA SECTION « DÉGAGEMENTS MINIMAUX AUX MATÉRIAUX COMBUSTIBLES ».

NE CONSTRUISEZ PAS D'ÉTAGÈRES OU D'ARMOIRES DANS L'ESPACE AU-DESSUS DE L'APPAREIL.

LES OBJETS PLACÉS DEVANT L'APPAREIL DOIVENT ÊTRE GARDÉS À UNE DISTANCE D'AU MOINS 48" (121,9CM) DE LA FACE VITRÉE DE L'APPAREIL.

**NOTE : UTILISEZ DES POTEAUX MÉTALLIQUES OÙ NON COMBUSTIBLE FAISANT FACE EST NÉCESSAIRE.**



\* Prévoyez l'épaisseur du plancher fini et de la base de protection lorsque vous déterminez ces dimensions.

\*\* Lors de la construction de l'enceinte, prenez en compte l'épaisseur des matériaux de finition pour maintenir les dégagements.

## 5.1 MATÉRIAUX DE FINITION

**! WARNING**

LES VIS UTILISÉES POUR FIXER LES MATÉRIAUX DE FINITION À LA FACE DE L'APPAREIL AU-DESSUS DE L'ÉCRAN DE LA GUILLOTINE ET LA PORTE NE DOIVENT PAS DÉPASSER 1/2" (13MM) DANS LES PANNEAUX FRONTALE DE TÔLE. RÉFÉREZ À LA SECTION <<DIMENSIONS>> POUR LES BESOINS SPÉCIFIQUES.

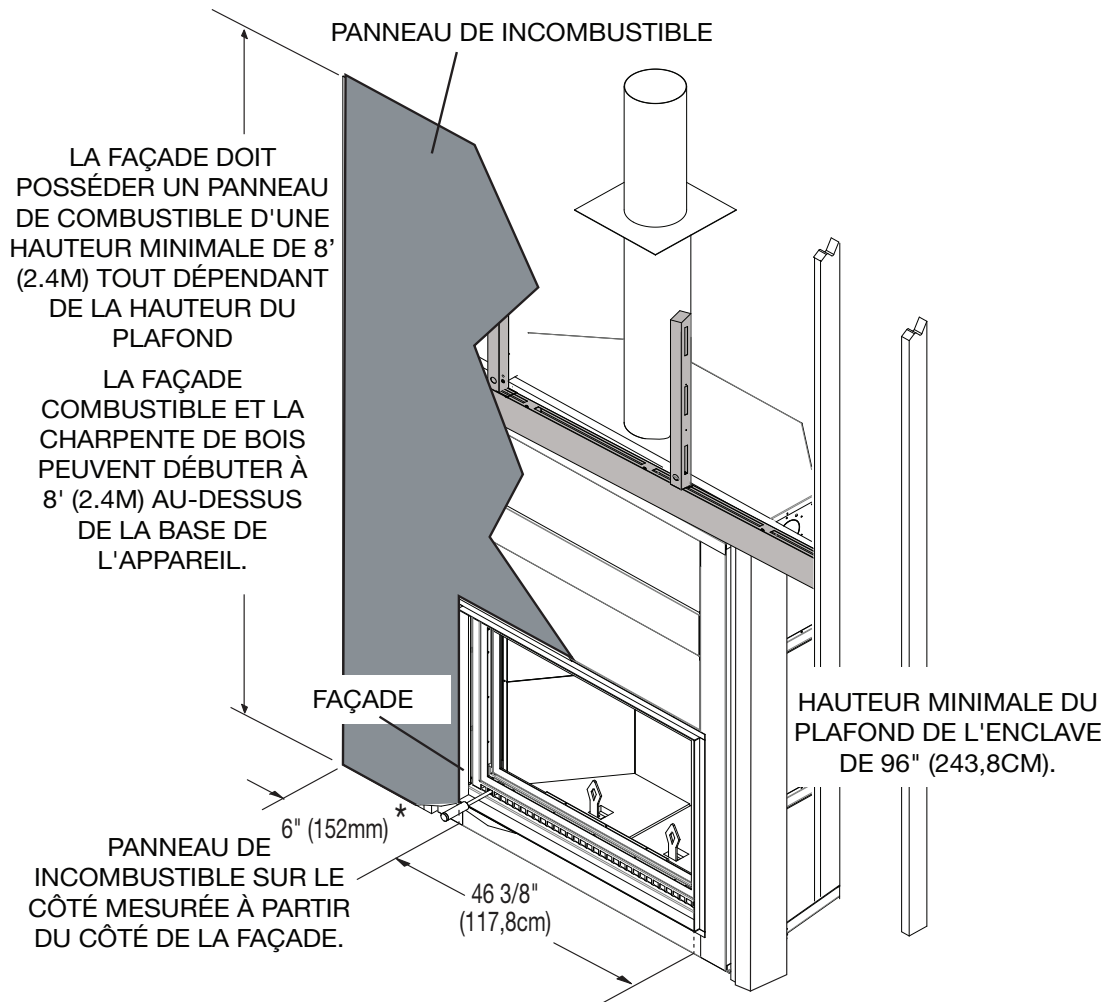
NE COMBLEZ PAS L'ESPACE D'AIR LIBRE AVEC DE L'ISLANT OU D'AUTRES MATÉRIAUX.

UTILISEZ UNIQUEMENT UN MATÉRIAU INCOMBUSTIBLE POUR LA FINITION DE LA FAÇADE DE L'APPAREIL. UN MATÉRIAU INCOMBUSTIBLE TEL UN PANNEAU DE CIMENT EST REQUIS À CETTE FIN.

AU-DELÀ DE 8' (2.4M), DES MATÉRIAUX DE FINITION COMBUSTIBLES PEUVENT ÊTRE UTILISÉS EN FAÇADE, MESURÉ DU BAS DE L'APPAREIL.

N'ISOLEZ PAS LE CONTOUR DE L'APPAREIL.

**NOTE :** Avant de finissez l'enceinte complètement, assurez-vous que le tige de contrôle, le registre, et les assemblages d'écran et porte fonctionne comme prévu.



UTILISANT LES MONTANTS D'ACIER DANS TOUS CAS OU LES FAÇADE INCOMBUSTIBLE SONT REQUIS.

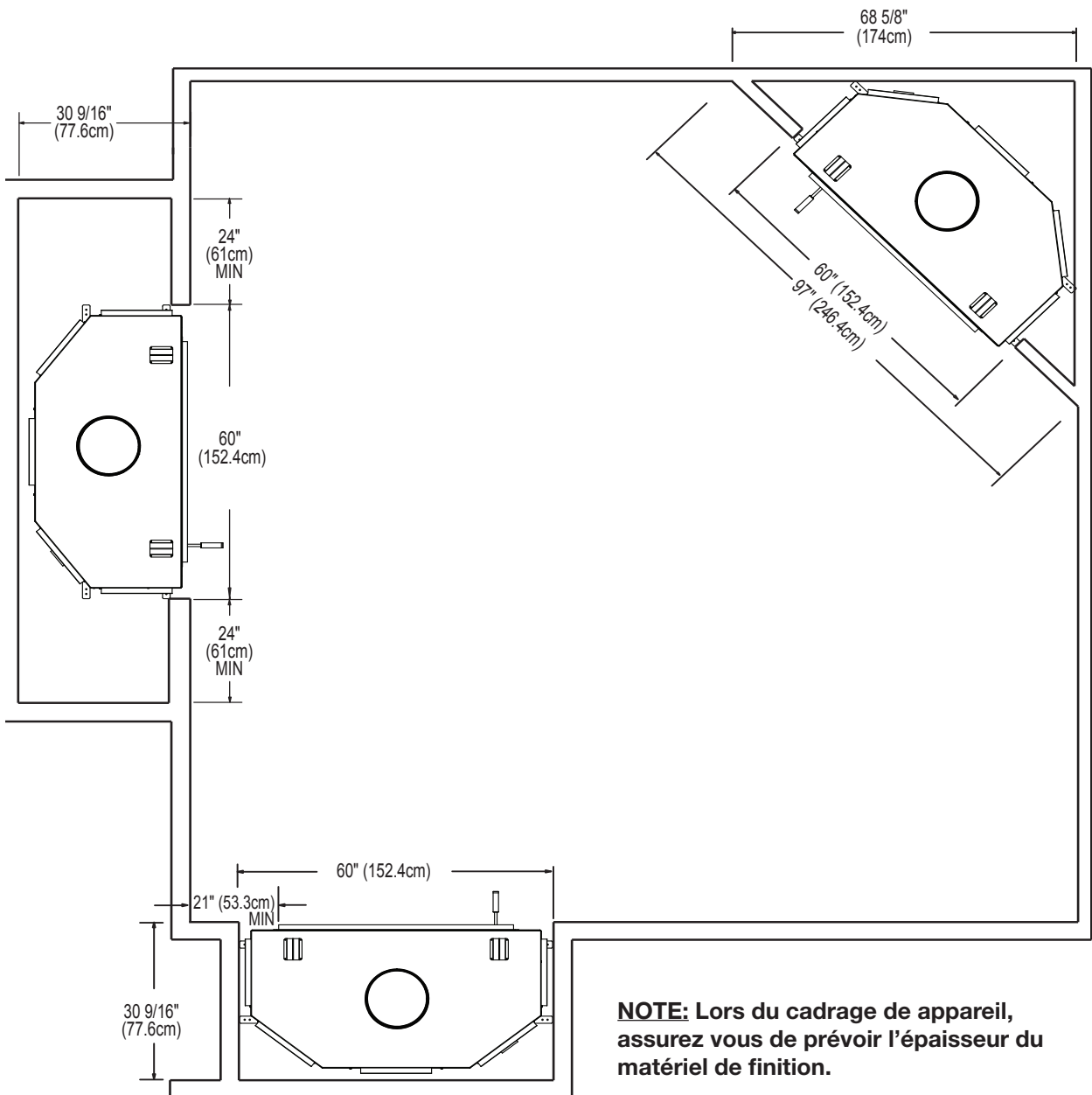
\* 7 1/2" (190.5mm) est recommandé de rencontrer le centre des goujons.

## 5.2 DÉGAGEMENTS MINIMAUX AUX MATÉRIAUX COMBUSTIBLES

### Ossature de l'appareil

|   |  |
|---|--|
| Arrière et Côtés de l'appareil          | - 0" (0mm) aux espaceurs                           |
| Plafond, enceintes ou devant l'appareil | - 96" (243,8cm) de la base de l'appareil           |
| Cheminée                                | - 2" (51mm) (suivre les instructions du fabricant) |

## 5.3 DÉGAGEMENTS MINIMAUX AUX ENCEINTES



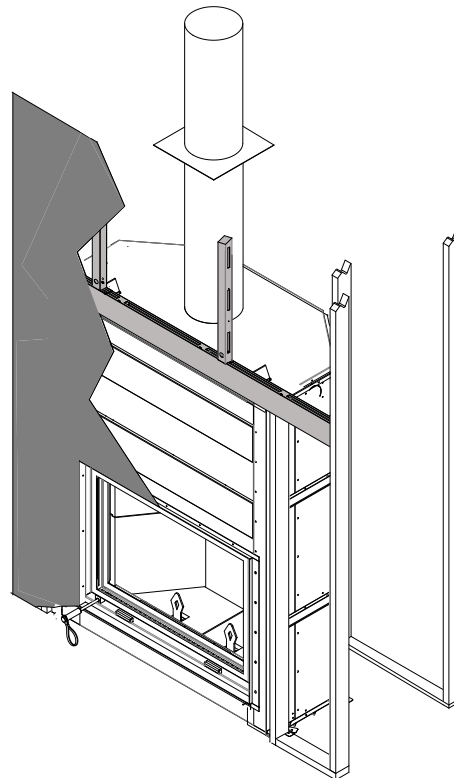
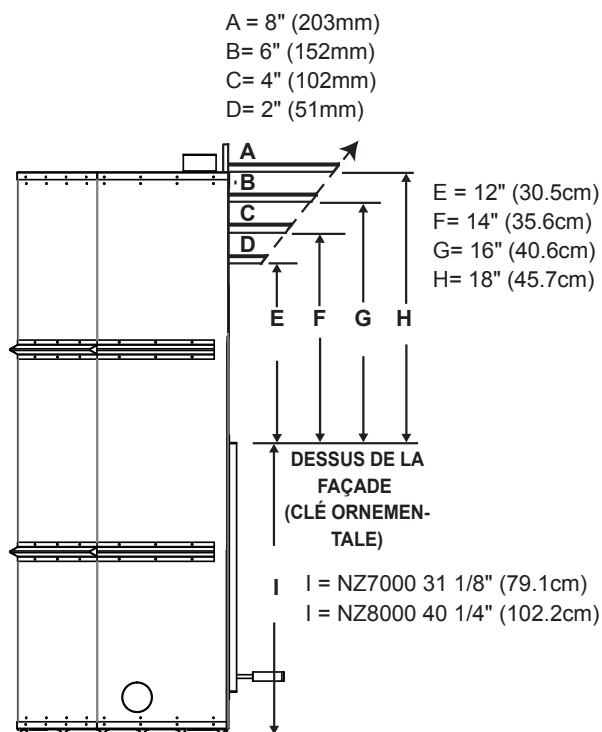
## 5.4 DÉGAGEMENTS MINIMAUX DE LA TABLETTE

**! AVERTISSEMENT**

**RISQUE D'INCENDIE. CONSERVEZ TOUS LES DÉGAGEMENTS AUX MATÉRIEAUX COMBUSTIBLES SPÉCIFIÉS. NE PAS RESPECTER CES INSTRUCTIONS PEUT CAUSER UN INCENDIE OU UNE SURCHAUFFE. ASSUREZ-VOUS QUE TOUS LES DÉGAGEMENTS (ARRIÈRE, CÔTÉS, DESSUS, ÉVENTS, TABLETTE, FAÇADE, ETC.) SONT RESPECTÉS À LA LETTRE.**

**LORSQUE VOUS UTILISEZ DE LA PEINTURE OU DU VERNIS COMME FINITION POUR VOTRE TABLETTE, ASSUREZ-VOUS QU'ILS SOIENT RÉSISTANTS À LA CHALEUR AFIN DE PRÉVENIR LA DÉCOLORATION.**

Si vous installez une tablette combustible optionnelle, celle-ci doit être placée au moins à 12" (30,5cm) au-dessus de la façade et sa profondeur doit être d'au moins 2" (51mm). Voir le tableau ci-dessous pour de plus amples informations.





## 6.0 FINITIONS

### ! AVERTISSEMENT

UTILISEZ UNIQUEMENT UN MATÉRIAU NON COMBUSTIBLE POUR LA FINITION DE LA FAÇADE DE L'APPAREIL. UN MATÉRIAU NON COMBUSTIBLE TEL UN PANNEAU DE CIMENT EST REQUIS À CETTE FIN.

DES OUVERTURES DE VENTILATION SONT REQUISES POUR TOUTES LES ENCEINTES.

AU-DELÀ DE 96" (243,8cm), DES MATÉRIEAUX DE FINITION COMBUSTIBLES PEUVENT ÊTRE UTILISÉS EN FAÇADE.

N'ISOLEZ PAS LE CONTOUR DE L'APPAREIL.

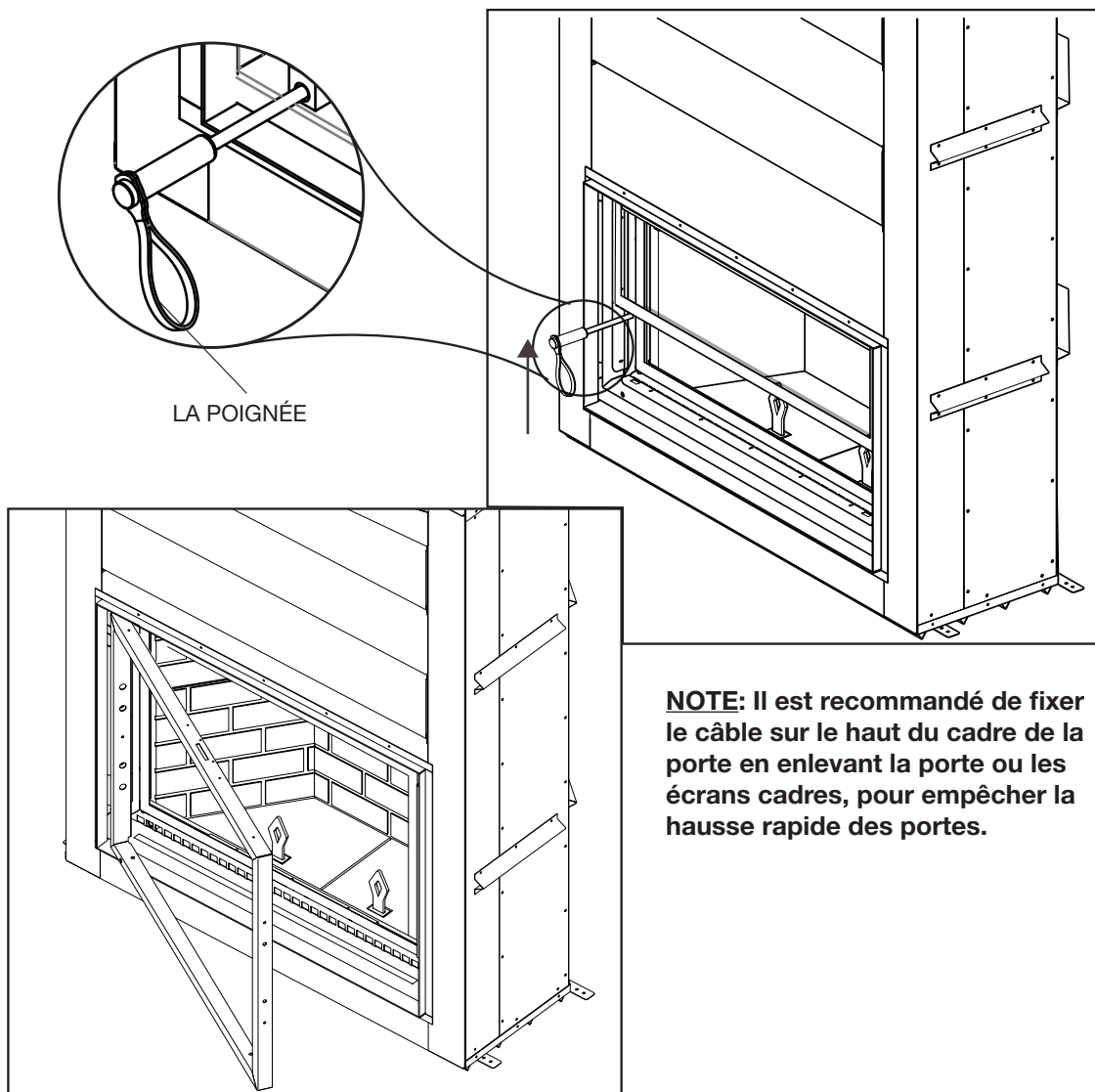
FR

### 6.1 INSTALLATION DE LA POIGNÉE DE PORTE

**NOTE:** L'appareil aurait fonctionner avec la porte vitrée ou l'écran fermer sauf durant chargement.

Insérez la poignée dans le récepteur de l'écran et la porte en verre dans le coin inférieur gauche pour soulever et abaisser la porte. Lorsqu'elle n'est pas en cours d'utilisation, accrocher la poignée sur le plateau d'outil.

Pour balancer ouvert la porte en verre, soulevez le loquet sur le côté droit et ouvrez la porte vers l'extérieur.



## 6.2 RÉGLAGE DU NIVEAU DE PORTE

**! AVERTISSEMENT**

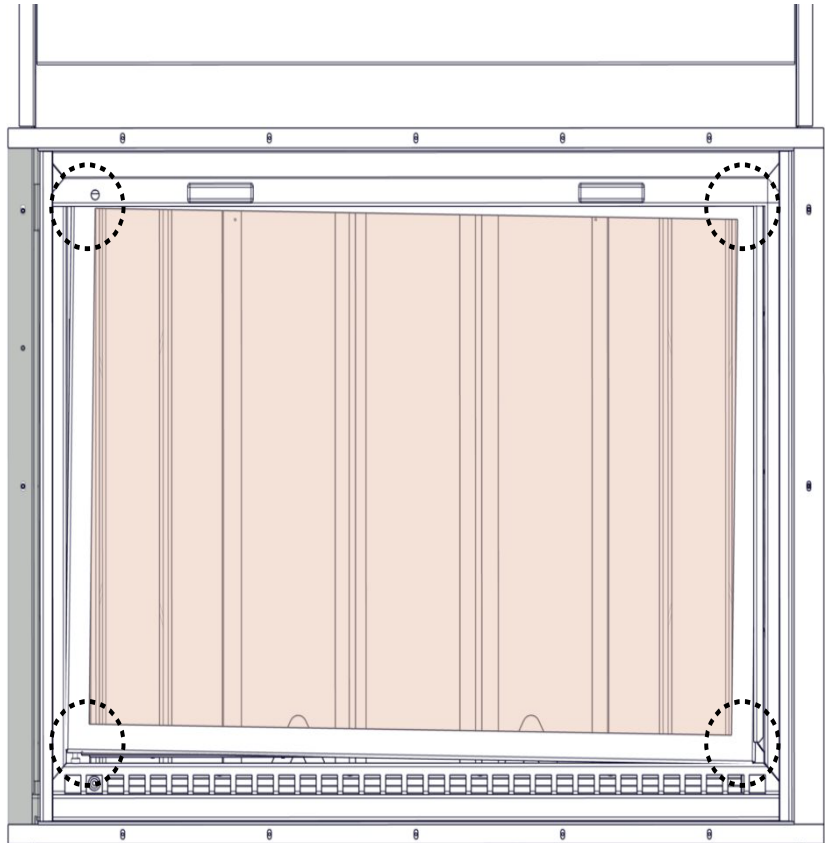
N'UTILISEZ PAS DE MATÉRIAUX DE SUBSTITUTION.

LA VITRE PEUT ÊTRE CHAUDE, NE TOUCHEZ PAS LA VITRE JUSQU'À CE QU'ELLE AIT REFROIDI.

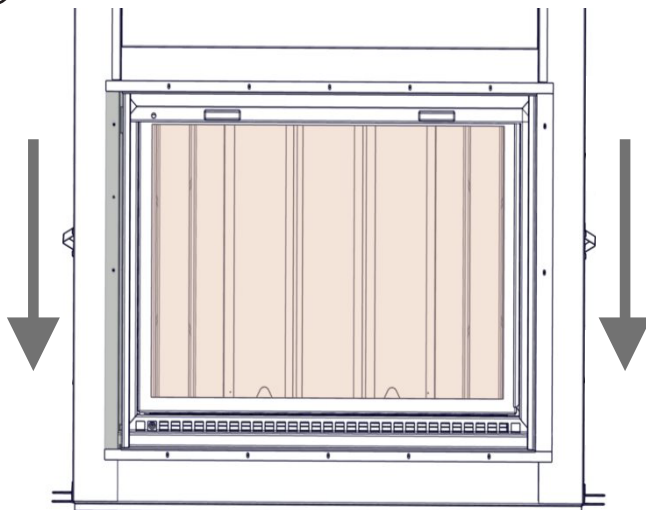
FR

Réglage de la porte peut être nécessaire si la porte n'est pas d'aplomb.

**NOTE :** Le réglage de la porte est strictement tâtonnements; vous devrez peut-être effectuer ce réglage plusieurs fois jusqu'à ce que l'angle de la porte désirée est atteinte.

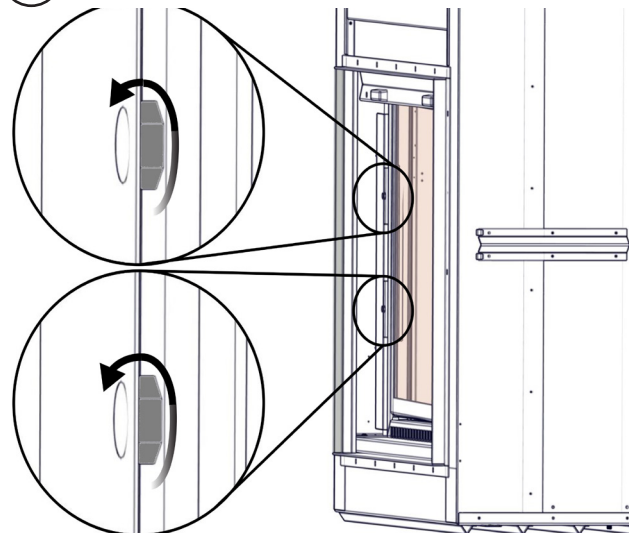


1



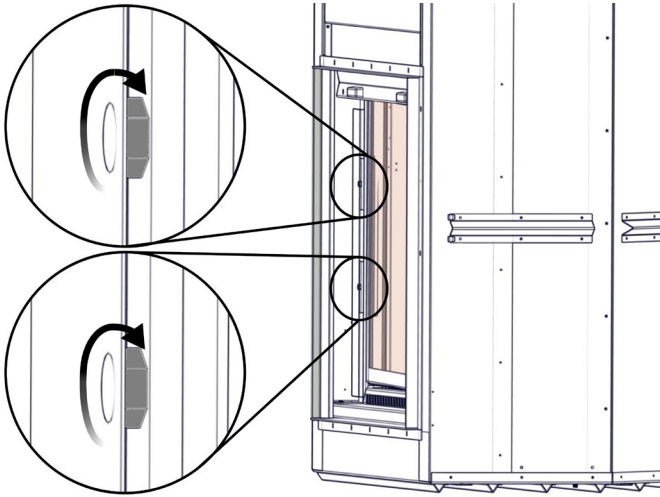
Abaisser la porte et caler le coin qui repose sur le foyer environ la moitié de l'écart de la partie adverse.

2



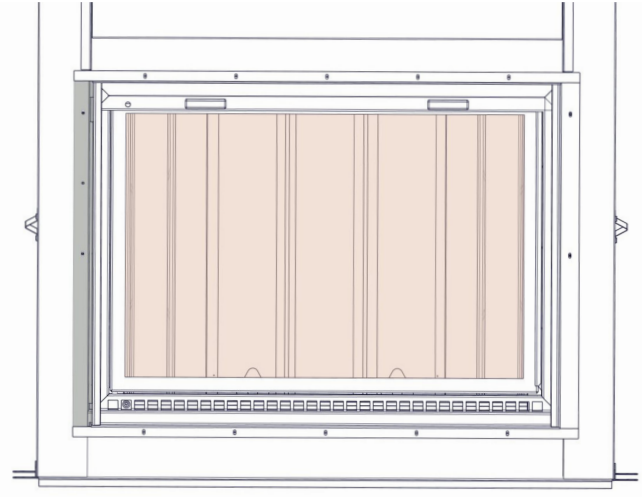
Desserrer les vis supérieures et inférieures du côté gauche du cadre de porte. S'assurer que les deux côtés sont assis sur la cale et du foyer respectivement.

3



Serrer les deux vis sur le côté droit de la porte.

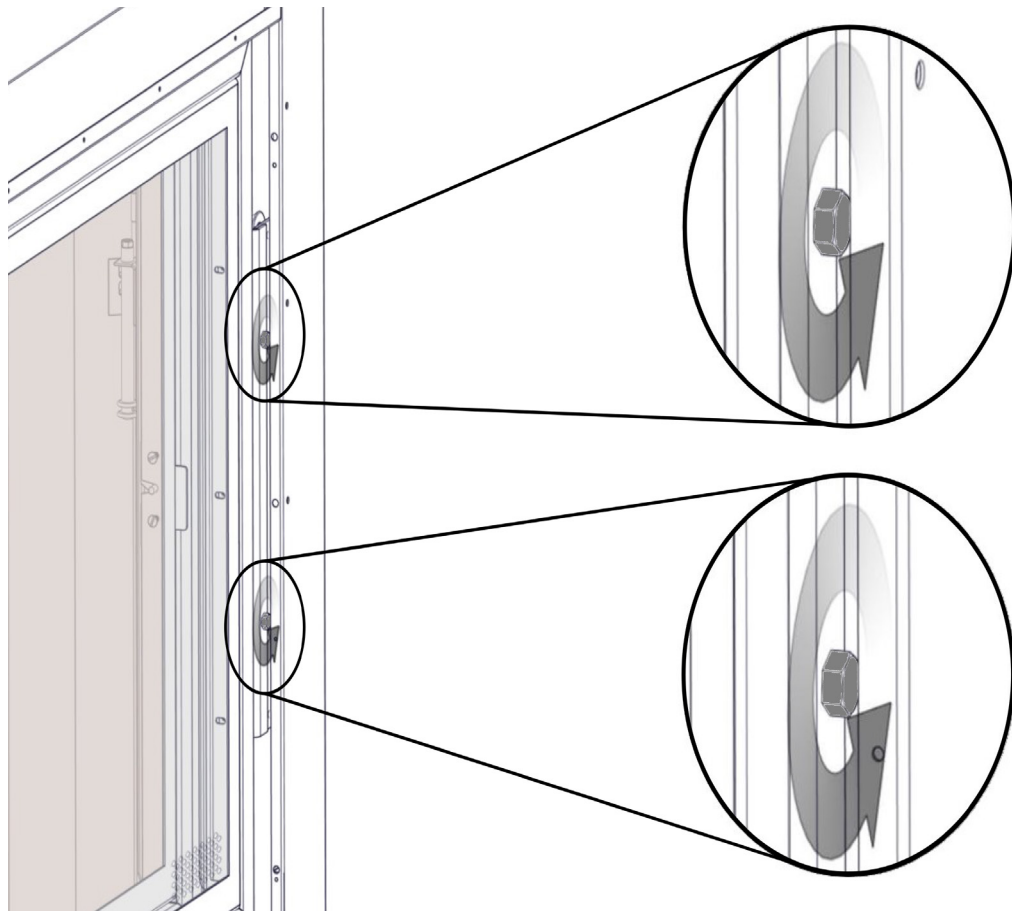
4



Assurer la porte soit de niveau et boulons sont sécurisés. Répétez si nécessaire.

FR

**NOTE :** La barrière de sécurité est également équipée des boulons pour permettre le réglage de niveau. Si nécessaire, suivez ces instructions en utilisant les boulons sur le côté droit de l'image de barrière de sécurité à régler.



**! AVERTISSEMENT**

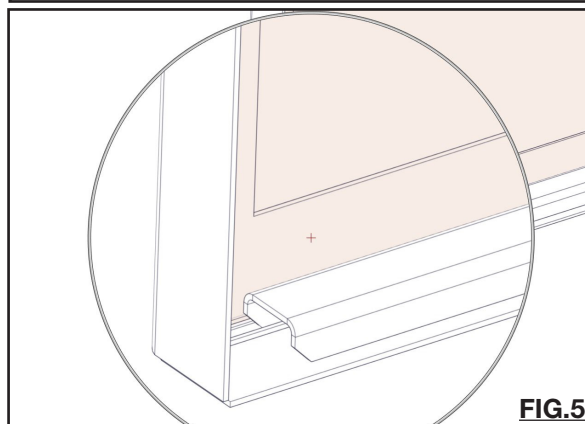
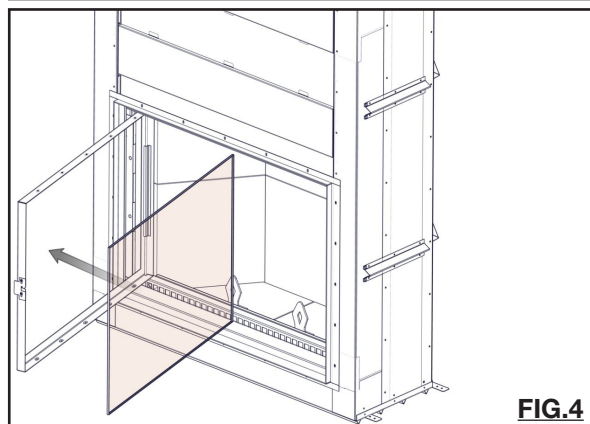
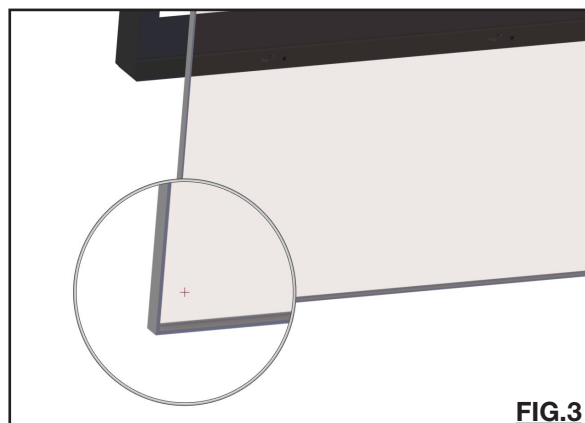
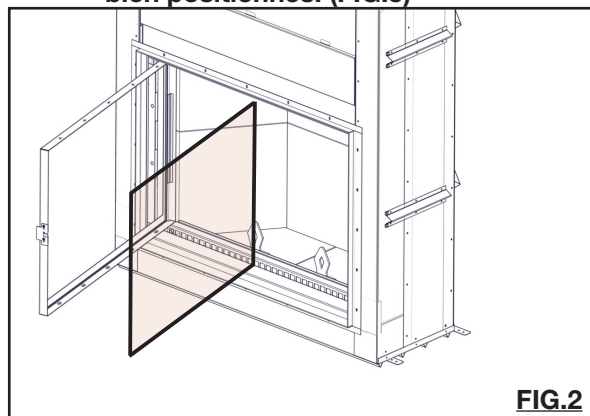
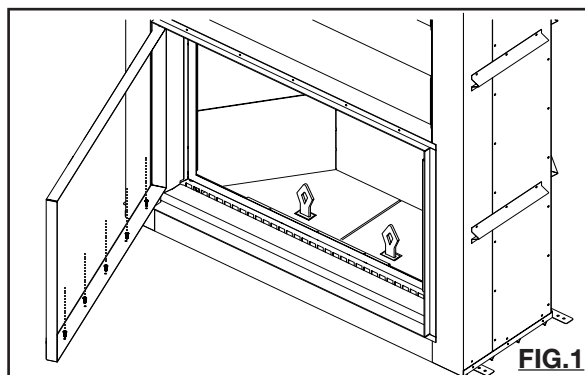
N'UTILISEZ PAS DE MATÉRIAUX DE SUBSTITUTION.

LA VITRE PEUT ÊTRE CHAUDE, NE TOUCHEZ PAS LA VITRE JUSQU'À CE QU'ELLE AIT REFROIDI.

UTILISEZ DE PRUDENCE LORSQUE VOUS ENLEVEZ ET JETEZ DES DÉBRIS DE VERRE OU DES COMPOSANTS ENDOMMAGÉS. ASSUREZ-VOUS D'ASPIRER TOUS LES DÉBRIS DE VERRE À L'INTÉRIEUR DE L'APPAREIL AVANT DE LE FAIRE FONCTIONNER.

NE FRAPPEZ PAS, NE CLAQUEZ PAS ET N'ÉGRATIGNEZ PAS LA PORTE VITRÉE. NE FAITES PAS FONCTIONNER L'APPAREIL LORSQUE LA PORTE VITRÉE EST ENLEVÉE, FISSURÉE, BRISÉE OU ÉGRATIGNÉE.

- A. Soulevez l'écran vers le haut dans l'appareil.
- B. Abaissez la porte vitrée vers le bas et déverrouillez-la. Faites pivoter la porte vitrée pour l'ouvrir.
- C. Dévissez les dispositifs de retenue supérieurs et inférieurs à l'intérieur du cadre de porte. (FIG.1)
- D. Retirez la vitre du cadre de porte. (FIG.2)
- E. Centrez et appliquez le joint d'étanchéité sur le bord de la vitre. Assurez-vous que le joint d'étanchéité forme une boucle continue autour du périmètre de la vitre de remplacement. (FIG.3)
- F. Réinstallez la vitre à l'intérieur du cadre du porte. (FIG.4)
- G. Repositionnez les dispositifs de retenue supérieurs et inférieurs à l'aide des vis retirées à l'étape C). **Assurez-vous que les dispositifs de retenue sont bien positionnés. (FIG.5)**



## 6.4 REMPLACEMENT DE L'ÉCRAN

**NOTE:** Lorsque vous retirerez l'écran, celui-ci se soulèvera immédiatement; soyez prudent. Il est recommandé de demander à une autre personne de vous aider à tenir la porte de l'écran lorsque vous en retirez le cadre.

- A. Insérez la poignée et soulevez légèrement l'écran pour pouvoir retirer les 2 vis sur le fond à l'intérieur du cadre de l'écran (**FIG. 1**)
- B. En retirant l'écran, cela se traduira par la porte de l'écran qui montra immédiatement, Soyez prudent. Il est recommandé d'avoir une autre personne d'aider à tenir la porte de l'écran tandis que le cadre de l'écran est retiré.
- C.. Retirez les 10 vis supérieures et inférieures et les 6 vis latérales. (**FIG 2**)
- D. Retirez l'écran du cadre et remplacez-le.
- E. Inverser ces étapes pour réinstaller le cadre de l'écran sur l'appareil.
- F. Si la porte d'écran devient déséquilibrée, voir la section «**RÉGLAGE DE CONTREPOIDS**».

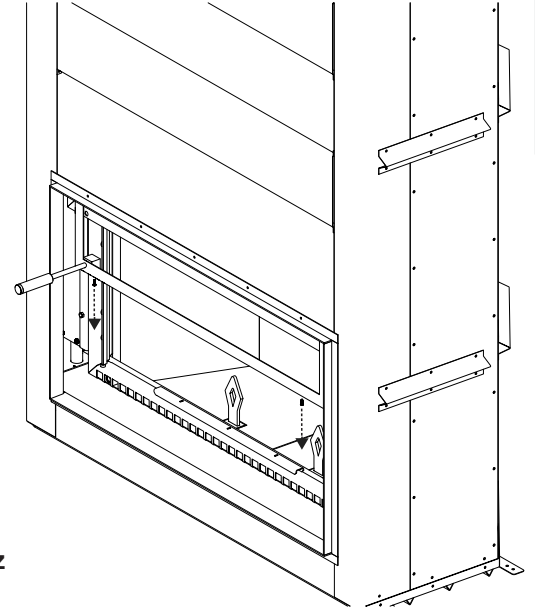


FIG 1:

**NOTE:** Ne laissez pas les portes légèrement ouverte. Vérifiez que vos contrepois sont équilibrés et les portes ferment correctement.

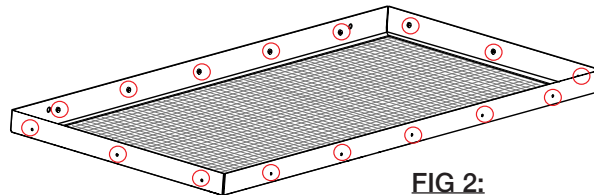
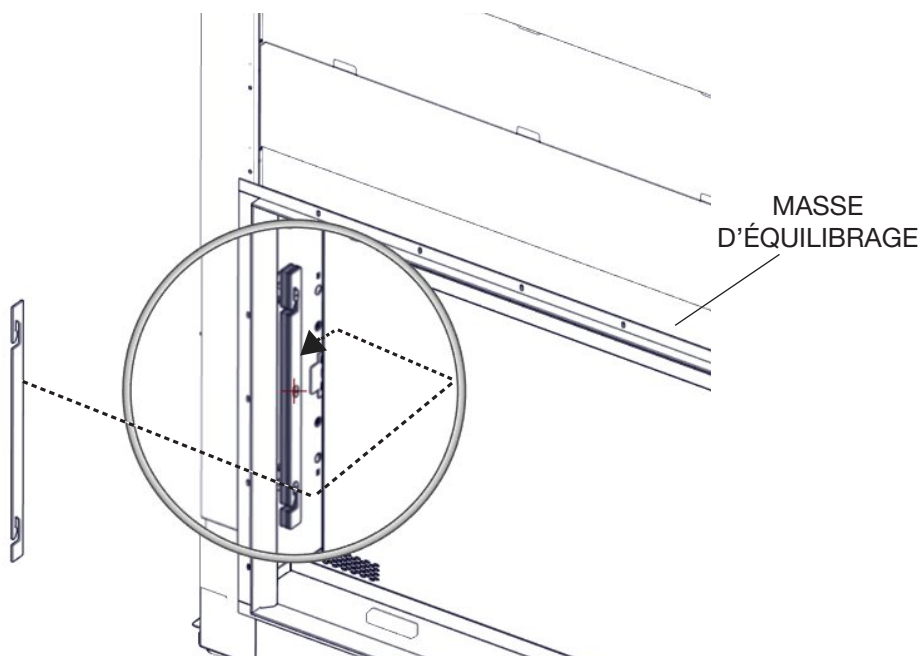


FIG 2:

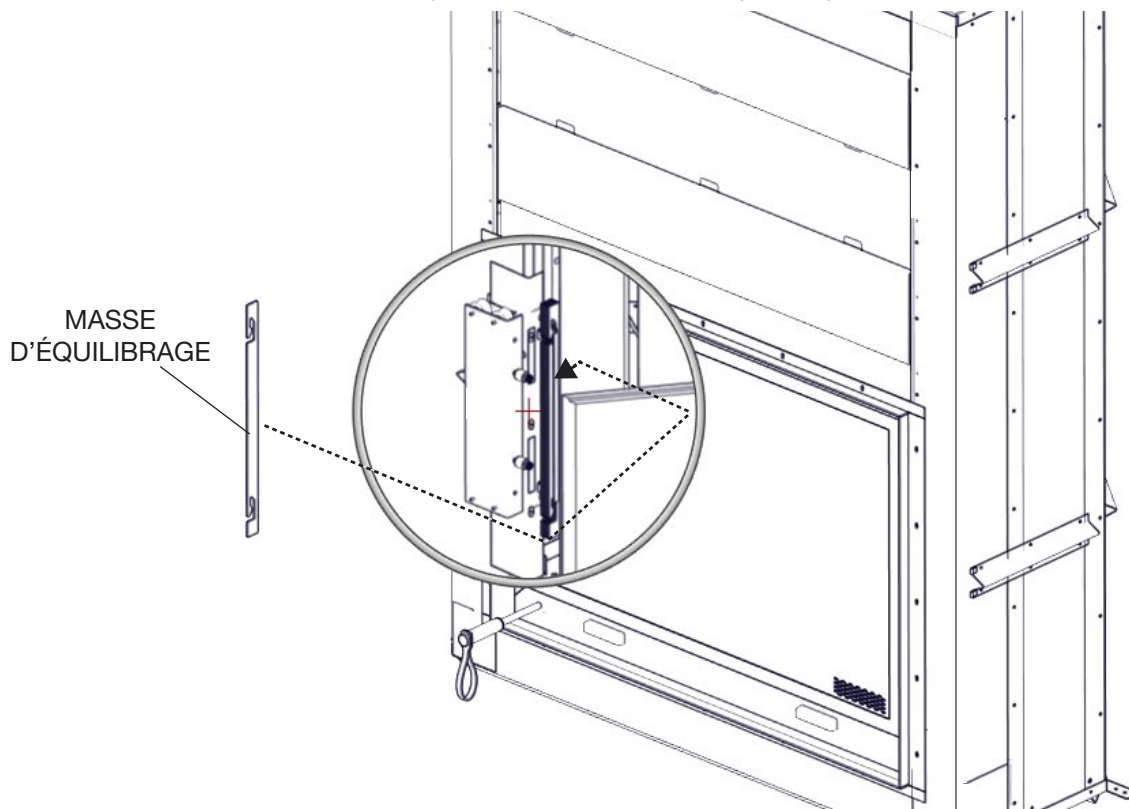
## 6.5 REGLAGE DES MASSES D'ÉQUILIBRAGE

Masses d'équilibrage ont été ajoutées à cet appareil pour aller à l'encontre du poids de la guillotine à l'arrière de l'appareil, ils stabilisent l'équilibre entre le mouvement de la porte et de l'écran.

Si la porte vitrée ou la porte d'écran deviennent déséquilibrée, (tombe ou augmente rapidement), il est important d'ajuster les masses d'équilibrage des portes pour assurer qu'ils effectuent correctement.



Les masses d'équilibrage de la porte d'écran sont situés sur le cadre principal sur la droite, à l'intérieur du cadre d'écran. Enlever ou ajouter comme nécessaire pour équilibrer.



Les masses d'équilibrage de la porte en verre sont situés sur le bâti de verre extérieur du côté gauche. Enlever ou ajouter comme nécessaire pour équilibrer.

## 6.6 INSTALLATION DE LA BRIQUE RÉFRACTAIRE ET OPÉRATION AMORTISSEUR

### ! AVERTISSEMENT

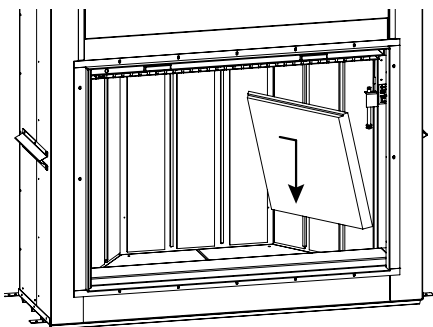
L'UTILISATION DE L'APPAREIL SANS LES DÉFLECTEURS PEUT CAUSER DES TEMPÉRATURES EXCESSIVES QUI PEUVENT ENDOMMAGER L'APPAREIL, LA CHEMINÉE ET L'ENCEINTE.

### 6.6.1 INSTALLATION DE LA BRIQUE RÉFRACTAIRE

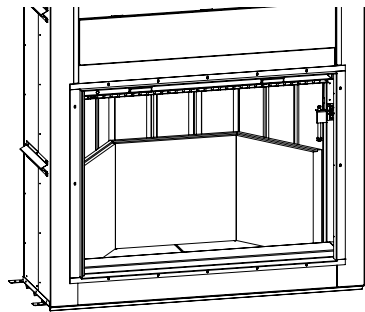
**NOTE :** Assurez-vous que les panneaux en fibre installés derrière la brique sont en bon état avant d'installer la brique réfractaire. Si les panneaux de fibre ont besoin d'être remplacés, tenez-les en place ou fixez-les au moyen de ruban-cache jusqu'à ce que la brique réfractaire soit installée.

#### Installation Correcte Des Panneaux Latéraux:

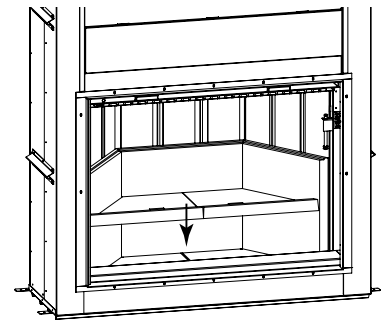
Panneaux latéraux auront deux angles distincts de chaque côté de chaque panneau. Le faible angle doit faire face à l'extérieur de l'appareil. L'angle plus raide devrait faire face à l'intérieur et correspondra au panneau adjacent.



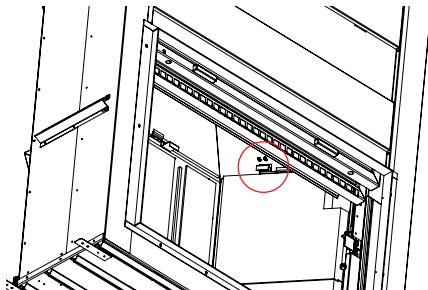
A. Incliner et installer la brique réfractaire arrière droite contre le mur.



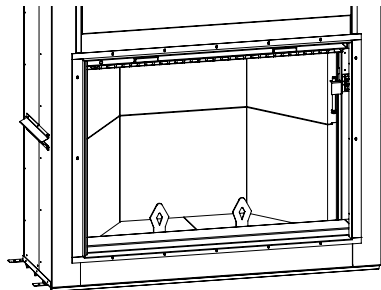
B. Installer les briques réfractaires centrale et arrière gauche.



C. Installer les briques réfractaires de fond pour faciliter la sécurisation des briques réfractaires arrière contre le mur.



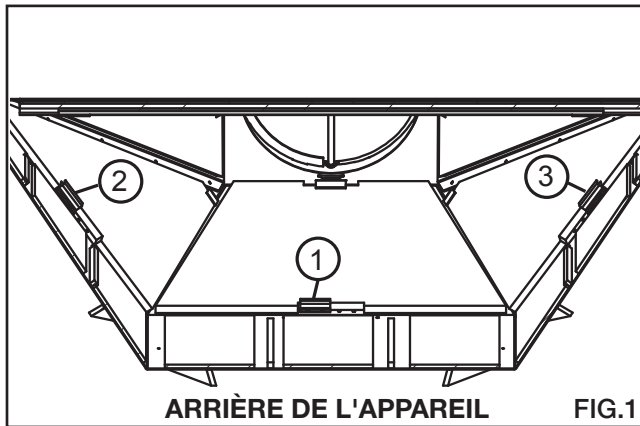
D. Incliner la brique réfractaire droite de la pointe et fixez-la sous le support de retenue.



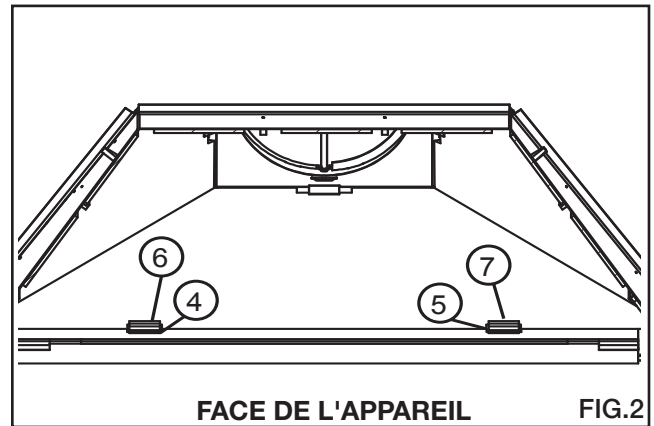
E. Installer les briques réfractaires restantes, par leur fixation sous les supports de retenue. Installez les chenets dans les briques réfractaires de fond.

## 6.7 REMPLACEMENT DES PANNEAUX ISOLANT DU CHAMBRE DE FUMÉE

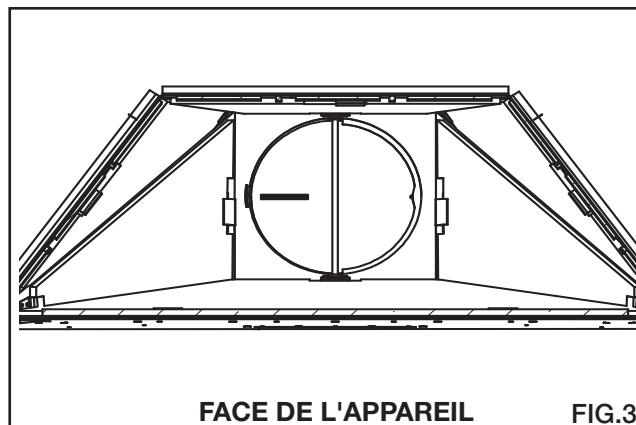
**NOTE:** Par souci de clarté, certaines pièces de l'appareil ont été masquées. Les illustrations ci-dessous sont des vues regardant jusqu'à l'haut de la chambre à fumée.



- A. Retirez les vis des supports et enlevez le panneau arrière (1) de la chambre de combustion en le faisant glisser. Répétez pour les deux panneaux latéraux (2, 3). (FIG.1)



- B. Retirez les vis des supports inférieurs et enlevez le panneau avant inférieur (4, 5). Puis retirez les vis des supports supérieurs (6, 7) et enlevez le panneau avant supérieur. (FIG.2)



- C. Retirez les vis des supports latéraux inférieurs et enlevez les panneaux latéraux supérieurs. (FIG. 3)


**NOTE :** Pour faciliter l'installation, nous recommandons simplement installer les supports des panneaux du côté et avant en place puis installer les panneaux avant de serrer les attaches complètement.

- D. Glissez le panneau supérieur dans la chambre de combustion et installez les 4 supports retirés à l'étape C. (FIG.3)
- E. Glissez le panneau avant supérieur dans la chambre de combustion, puis glissez le panneau avant inférieur et installez les supports. (FIG.2)
- F. Glissez les panneaux latéraux puis le panneau arrière dans la chambre de combustion et installez les supports. (FIG.3)

**NOTE :** Les panneaux isolants de la chambre de combustion sont fragiles. Manipulez-les avec soin.



## 7.0 SÉLECTION DU BOIS

|  <b>AVERTISSEMENT</b>  |
|---|
| <p><b>CET APPAREIL A ÉTÉ CONÇU POUR BRÛLER DU BOIS NATUREL UNIQUEMENT. NE BRÛLEZ PAS DE BOIS TRAITÉS, DE CHARBON DE BOIS, DE CHARBON, DE PAPIERS DE COULEUR, DE CARTONS, DE SOLVANTS NI DE DÉCHETS. CET APPAREIL N'A PAS ÉTÉ TESTÉ AVEC UN ENSEMBLE DE BÛCHES À GAZ NON VENTILÉES. AFIN DE RÉDUIRE LE RISQUE D'INCENDIE OU DE BLESSURE, N'INSTALLEZ PAS D'ENSEMBLE DE BÛCHES À GAZ NON VENTILÉES DANS CET APPAREIL.</b></p> |
| <p><b>VOUS OBTENEZ UNE MEILLEURE EFFICACITÉ ET DES ÉMISSIONS PLUS FAIBLES AVEC DU BOIS DUR SÉCHÉ À L'AIR QU'AVEC DU BOIS RÉSINEUX OU VERT, OU DES BOIS DURS FRAÎCHEMENT COUPÉS.</b></p>   |
| <p><b>BRÛLER DU BOIS VERT OU HUMIDE PEUT CAUSER DES ACCUMULATIONS EXCESSIVES DE CRÉOSOTE. LORSQU'ALLUMÉE, ELLE PEUT CAUSER UN FEU DE CHEMINÉE ET UN INCENDIE GRAVE POURRAIT S'ENSUIVRE.</b></p>   |
| <p><b>N'ENTREPOSEZ PAS LE BOIS À L'INTÉRIEUR DES DÉGAGEMENTS DE L'APPAREIL OU DANS L'ESPACE REQUIS POUR LE RAVITAILLEMENT OU L'ENLÈVEMENT DES CENDRES.</b></p>  |

Avant de charger l'appareil, assurez-vous que tous les déflecteurs et l'isolation nécessaire (si applicable) sont situés correctement. Pour assurer une efficacité maximale lorsque l'appareil est réchauffé, remplissez-le avec du bois jusqu'au maximum spécifié et brûlez en réglant à feu moyen-bas. Des briques presque entièrement blanches et une vitre presque entièrement propre sont de bons indicateurs que votre appareil fonctionne efficacement. Lorsque vous ne brûlez que quelques bûches, l'appareil ne produira pas assez de chaleur ou le bois ne brûlera pas complètement.

**REMARQUE:** Lorsque vous chargez l'appareil, assurez-vous de garder le combustible éloigné de la vitre. Si des braises s'accumulent sur le rebord avant, elles pourraient tomber hors de l'appareil quand vous ouvrez la porte.

### TYPES DE BOIS

Le bois dur brûle aussi bien que le bois résineux dans cet appareil; par contre, le bois dur est plus dense, plus lourd, brûle plus lentement et plus longtemps.

Les bûches artificielles obtenues par la compression de fibre de bois 100% naturelle peuvent être utilisées sans danger comme combustible. N'utilisez pas des bûches artificielles contenant des additifs comme de la paraffine, de la cire, des liants, etc. Ne brûlez jamais plus de deux bûches artificielles à la fois.

### CONTIENT D'HUMIDITÉ

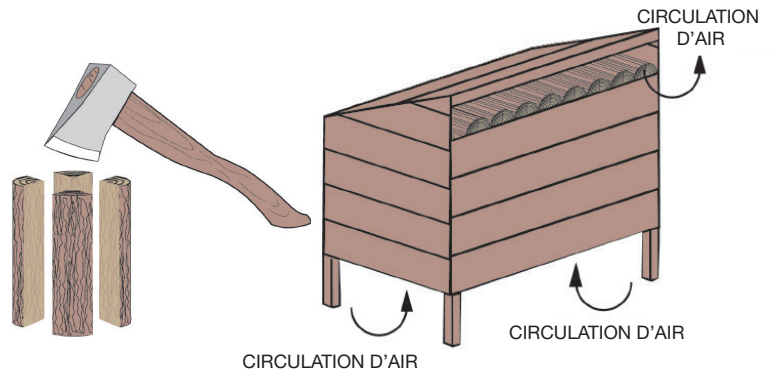
Ne brûlez que du bois propre, non peint et bien sec. Il produit plus de chaleur et moins de suie et de créosote. Le bois fraîchement coupé contient environ 50% d'humidité tandis qu'une fois séché, il n'en contient que 20%. Quand le bois brûle, l'eau bout en consommant une partie de l'énergie qui aurait dû produire de la chaleur. Plus le bois est humide, moins il y aura de chaleur et plus il y aura de créosote. Le bois sec a des craquelures dans les extrémités.

### STOCKAGE DE BOIS

Bois de chauffage doit être divisé et empilés de façon à permettre la circulation de l'air complet et couverts au début du printemps pour être prêt pour la gravure de l'automne. Bois de chauffage sec a des fissures dans la fin du grain.

Coupez le bois de façon à ce qu'il puisse rentrer horizontalement, de l'arrière vers l'avant, dans l'appareil. Ceci facilite le chargement et il y aura moins de risque que le bois roule sur la vitre.

Le combustible pour l'appareil ne doit pas être entreposé à l'intérieur des dégagements minimaux aux matériaux combustibles (matériau sensible à la chaleur). **N'ENTREPOSEZ JAMAIS DE BOIS DANS LE COMPARTIMENT DU TIROIR À CENDRES (s'il y a lieu).**



## 8.0 FONCTIONNEMENT

Les bruits causés par l'expansion et la contraction lors des cycles de chauffage et de refroidissement sont tout à fait normaux et il faut s'y attendre.

### **CONSEILS LORSQUE VOUS FAITES UN FEU:**

- Faites un grand feu pour réchauffer l'appareil avant de fermer les portes pour le régler pour une combustion plus lente.
- Pour faire un grand feu vif, utilisez des petits morceaux de bois.
- Pour un feu continu à combustion lente, chargez des bûches plus grosses, de façon compacte.
- Pour des durées de combustion plus longues, laissez un lit de braises d'une épaisseur de 1" (25.4mm) à 2" (50.8mm).
- Ne brûlez que du bois sec.
- À l'exception d'une combustion nocturne, faites de grands feux vifs si possible. Des feux plus petits à combustion lente, utilisant de grosses bûches, feront noircir la vitre. De grands feux vifs à rechargements fréquents, utilisant des bûches de dimensions moyennes, sont beaucoup plus efficaces.
- Il est important de réduire au minimum la fumée visible émettant de la cheminée. Brûler le bois assaisonnés, maintenir la catalyst de l'appareil et suivre les instructions de fonctionnement dans ce manuel permettra de s'assurer que les émissions de fumée visibles sont minimisés.

### **À FAIRE**

- Vérifier avec capteur d'humidité que le bois ne contient pas plus de 20% d'humidité.
- Plusieurs morceaux de dimensions moyennes sont préférables à quelques gros morceaux.
- Nettoyer la cheminée régulièrement.
- Réalimenter fréquemment en utilisant des morceaux de dimension moyenne.
- Bien ajuster le contrôle de combustion (si applicable) pour une performance optimale.

### **À NE PAS FAIRE**

- Retirer les cendres immédiatement. Laissez-les s'accumuler sur une épaisseur d'au moins un pouce. Une bonne couche de cendres favorise une attisée qui brûle mieux et qui dure plus longtemps.
- Brûler du bois humide avec plus de 20% d'humidité.
- Fermer la porte prématurément ou fermer le contrôle de combustion trop rapidement.
- Brûler un gros morceau de bois plutôt que deux ou trois morceaux plus petits, de dimensions plus raisonnables.
- Brûler continuellement à un réglage trop bas (si applicable). Si la vitre de la porte est constamment noircie, cela signifie que la température de la chambre de combustion est trop basse.

## 8.1 BRUITS ET ODEURS LORS DU FONCTIONNEMENT

C'est normale d'entendre craquement et/ou cochant pendant le fonctionnement en tant que les composants de la plaque métallique de l'appareil augmente et contracte. Cela peut être présent pendant les réchauffer et refroidir.

Durant la période de rodage (les 2 ou 3 premiers feux), ne faites que des petits feux chauds avec du bois d'allumage; ceci permettra à la brique réfractaire de se conditionner. Ne vous inquiétez pas si de petites fissures apparaissent dans les briques réfractaires. Cela est normal et ne pose pas un risque pour la sécurité. Le patin peut également émettre une odeur ; vous devrez ouvrir une porte ou une fenêtre pour chasser les odeurs.

Il y a plusieurs façons d'allumer un feu. Passez en revue les conseils et les avertissements de cette section pour vous assurer que le feu soit allumé de façon adéquate.

## 8.2 ALLUMER LE FEU

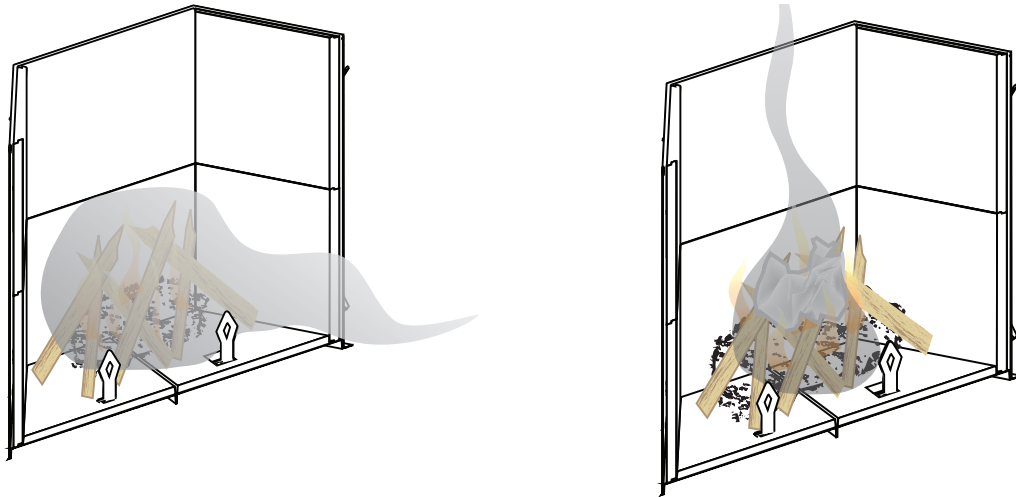
### ! AVERTISSEMENT

**FAITES TOUJOURS FONCTIONNER CET APPAREIL AVEC LA PORTE FERMÉE ET VERROUILLÉE, SAUF DURANT L'ALLUMAGE ET LE RAVITAILLEMENT.**

Le tirage est la force qui déplace l'air de l'appareil vers le haut, dans la cheminée. La force de tirage de votre cheminée dépend de sa hauteur, de la géographie locale, des obstructions avoisinantes et d'autres facteurs.

Un tirage inadéquat peut causer des refoulements de fumée dans la pièce ainsi que des blocages de cheminée. Un tirage trop grand provoquera des températures excessives dans l'appareil, des composants qui rougeoient ou une combustion incontrôlable qui peut causer un feu de cheminée ou des dommages permanents à l'appareil.

**NOTE :** Enlevez tous les contenants d'essence ou autres liquides et vapeurs inflammables placés à proximité de cet appareil ou tout autre appareil avant de l'allumer.



## 8.3 EXTINCTEURS ET DÉTECTEURS DE FUMÉE

Toutes les maisons possédant un appareil à combustible solide devraient posséder au moins un extincteur d'incendie dans un emplacement central connu de tous et au moins un détecteur de fumée et détecteur monoxyde de carbone placé dans la pièce où l'appareil est situé. Si l'alarme se déclenche, corrigez la cause mais ne désactivez pas, ou ne relocalisez pas le détecteur de fumée. Si le détecteur de monoxyde de carbone sonne l'alarme, déplacer immédiatement à une région qui a l'air frais et appeler un votre service d'incendie local.

## 8.4 ALLUMER LE FEU (L'AMORTISSEUR OUVERT)

**! AVERTISSEMENT**

FAITES TOUJOURS FONCTIONNER CET APPAREIL AVEC LA PORTE FERMÉE ET VERROUILLÉE SAUF DURANT L'ALLUMAGE ET LE RAVITAILLEMENT OU LORSQUE VOUS UTILISEZ LE PARE-ÉTINCELLES. PORTEZ TOUJOURS DES GANTS POUR PRÉVENIR LES BLESSURES.

NE LAISSEZ JAMAIS LES ENFANTS SANS SURVEILLANCE LORSQU'UN FEU BRÛLE DANS L'APPAREIL.

N'UTILISEZ JAMAIS D'ESSENCE, DE COMBUSTIBLE À LANterne, DE KÉROSÈNE, D'ESSENCE À BRIQUET OU D'AUTRES LIQUIDES POUR ALLUMER OU RAVIVER UN FEU DANS CET APPAREIL. GARDEZ TOUS CES LIQUIDES ÉLOIGNÉS DE L'APPAREIL.

CET APPAREIL N'A PAS ÉTÉ TESTÉ AVEC UN ENSEMBLE DE BÛCHES À GAZ VENTILÉES OU NON VENTILÉES. AFIN DE RÉDUIRE LE RISQUE D'INCENDIE OU DE BLESSURE, N'INSTALLEZ PAS D'ENSEMBLE DE BÛCHES À GAZ VENTILÉES OU NON VENTILÉES DANS CET APPAREIL.

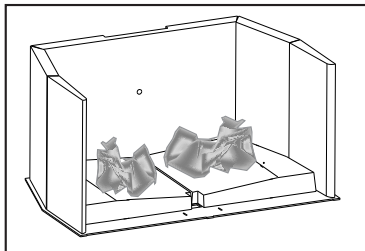
Utilisez seulement du bois massif ou des bûches énergétiques (ou d'un autre type spécifié) comme combustible.

**AVERTISSEMENT:** Ne faites pas de feu trop près de la vitre de la porte. Ne poussez pas et ne remuez pas les bûches pendant qu'elles brûlent. Utilisez seulement des bûches qui ont été approuvées pour une utilisation dans un foyer et lisez les avertissements et mentions de sécurité sur l'emballage avant de les utiliser.

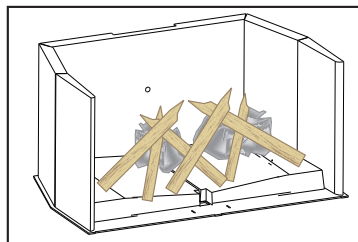
Enlevez tous les contenants d'essence ou autres liquides et vapeurs inflammables placés à proximité de cet appareil ou tout autre appareil avant de l'allumer.

Utilisez beaucoup de papier journal et de bois d'allumage pour vous assurer que l'appareil atteigne une température adéquate. Lorsque le bois d'allumage est enflammé, ajoutez quelques morceaux de bois plus gros sur le feu.

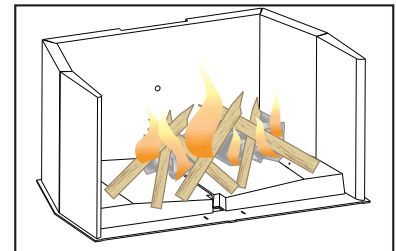
**Conseil:** Lorsque vous allumez un feu, si la fumée n'est pas rapidement tirée dans la cheminée, il se peut qu'il y ait un tirage descendant ou de l'air froid dans la cheminée. En brûlant d'abord une bonne quantité de papier journal, la cheminée se réchauffera et la fumée sera rapidement attirée par la cheminée.



A. À l'allumage, un feu vif est requis. Roulez du papier journal; allumez-le et approchez-le de la buse de l'appareil jusqu'à ce que la cheminée commence à tirer.

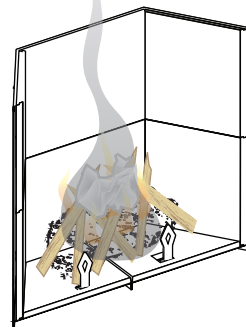
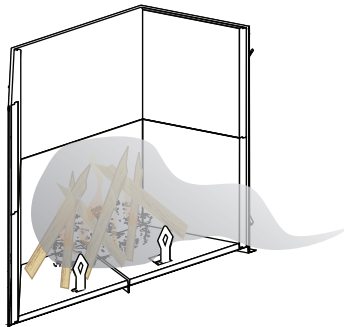


B. Couvrez de bois d'allumage.



C. Allumez le papier et lorsque le feu brûle ajouter plus de combustible.

Le tirage est la force qui déplace l'air de l'appareil vers le haut, dans la cheminée. La force de tirage de votre cheminée dépend de sa hauteur, de la géographie locale, des obstructions avoisinantes et d'autres facteurs. Un tirage inadéquat peut causer des refoulements de fumée dans la pièce ainsi que des blocages de cheminée. Un tirage trop grand provoquera des températures excessives dans l'appareil, des composants qui rougeoient ou une combustion incontrôlable qui peut causer un feu de cheminée ou des dommages permanents à l'appareil.



- Charge de carburant maximum 60lbs (de 27 kg).
- Hauteur de carburant maximum, à mi-chemin ou en haut de la première brique réfractaire.

## 8.5 FUMÉE

Un appareil installé convenablement ne devrait pas fumer. Si le vôtre fume, vérifiez les points suivants :

- Est-ce que la cheminée a pu se réchauffer suffisamment?
- Est-ce que le passage de la fumée est bloqué soit dans la cheminée, soit dans le conduit de raccordement, soit dans l'appareil?
- Est-ce que la pièce est trop hermétique et que la prise d'air comburant n'est pas raccordée sur l'extérieur? Essayez avec une fenêtre partiellement ouverte.
- Est-ce que le flot de fumée est restreint par un tuyau horizontal trop long ou par un trop grand nombre de coudes?
- S'agit-il d'un tirage faible causé par une cheminée non hermétique, une cheminée extérieure froide, un diamètre de cheminée trop grand, une cheminée trop courte ou trop près des arbres ou d'un toit plus élevé?
- Est la teneur en humidité du bois supérieure à 20%?

## 8.6 RAVITAILLEMENT DE L'APPAREIL



### AVERTISSEMENT

**BRÛLER DU BOIS VERT OU HUMIDE PEUT CAUSER DES ACCUMULATIONS EXCESSIVES DE CRÉOSOTE. LORSQU'ALLUMÉE, CETTE DERNIÈRE PEUT CAUSER UN FEU DE CHEMINÉE ET UN INCENDIE GRAVE POURRAIT S'ENSUIVRE.**

Lorsque vous rechargez l'appareil, ouvrez la porte lentement afin d'éviter les déversements de fumée. Lorsque vous alimentez le feu, utilisez de longs gants protecteurs. Gardez une petite pelle en acier à proximité; elle peut être utilisée comme tisonnier ou pour enlever les cendres. N'entreposez pas le bois à moins de quatre pieds (1,2m) de l'appareil.

## 9.0 ENTRETIEN

### 9.1 ENLÈVEMENT DES CENDRES

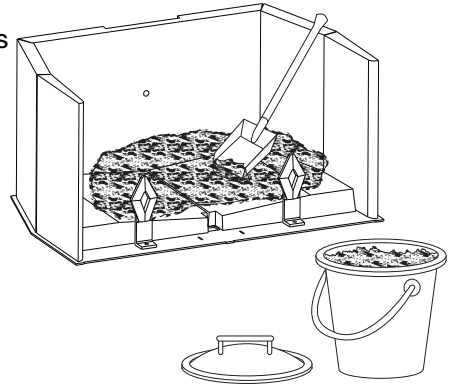
#### ! AVERTISSEMENT

UNE MISE AU REBUT INADÉQUATE DES CENDRES CAUSE DES INCENDIES. NE JETEZ PAS LES CENDRES DANS DES BOÎTES DE CARTON, DANS LA COUR ARRIÈRE ET NE LES ENTREPOSEZ PAS DANS LE GARAGE.

SI VOUS UTILISEZ UN ASPIRATEUR POUR RAMASSER DES CENDRES, ASSUREZ-VOUS QUE LES CENDRES SONT COMPLÈTEMENT REFROIDIES. SI VOUS UTILISEZ UN ASPIRATEUR POUR RAMASSER DES CENDRES CHAUDES, CELA RISQUE DE PRODUIRE UN FEU À L'INTÉRIEUR DE L'ASPIRATEUR.

Laissez les cendres s'accumuler sur une épaisseur d'environ 1" (25mm) sur le plancher de la chambre de combustion pour aider à conserver un lit de braises chaudes. Une fois que le feu s'est éteint et que les cendres se sont refroidies, enlevez toutes les cendres excédentaires. Pour enlever les cendres, suivez les directives ci-dessous.

- A. Une fois que le dernier morceau de charbon s'est éteint, laissez l'appareil se refroidir au moins deux heures.
- B. Ouvrez les portes de l'appareil.
- C. Pelletez les cendres de l'appareil dans un contenant de métal muni d'un couvercle étanche. Fermez le couvercle, éloignez le contenant de l'appareil, déposez-le sur une surface incombustible appropriée et laissez les cendres refroidir. Jetez les cendres.



**NOTE:** Placez les cendres dans un contenant métallique à couvercle étanche. Posez le contenant fermé sur une surface incombustible ou sur le sol, loin de toute matière combustible, en attendant l'élimination finale des cendres. Si les cendres sont destinées à être enterrées ou dispersées autrement localement, elles devraient demeurer dans le contenant métallique fermé jusqu'à ce qu'elles aient complètement refroidi.

### 9.2 FORMATION ET ENLÈVEMENT DE LA CRÉOSOTE

Lorsque le bois brûle lentement, il produit du goudron et autres vapeurs organiques qui, se combinant à la vapeur d'eau évacuée, forment la créosote. Ces vapeurs se condensent dans le conduit relativement froid de la cheminée d'un appareil brûlant lentement. Par conséquent, le résidu de créosote accumule sur dans le conduit. Lorsqu'elle prend feu, la créosote produit un feu extrêmement chaud.

Inspectez votre cheminée pour des accumulations de créosote chaque deux mois pendant le saison de chauffage pour déterminer si une accumulation de créosote à former.

Si l'accumulation est excessive nettoyez la cheminée pour réduire une feu du cheminée.

### 9.3 FEU DE CHEMINÉ OU FEU HORS CONTRÔLE

#### ! AVERTISSEMENT

UN FEU DE CHEMINÉE PEUT ENDOMMAGER VOTRE CHEMINÉE DE FAÇON PERMANENTE. POUR RÉPARER CES DOMMAGES, VOUS DEVREZ REMPLACER LES COMPOSANTS ENDOMMAGÉS. LES FEUX DE CHEMINÉE NE SONT PAS COUVERTS PAR LA GARANTIE À VIE LIMITÉE.

#### CAUSÉS:

- L'utilisation d'un combustible inapproprié ou de morceaux de bois trop petits qui, normalement, auraient été utilisés comme bois d'allumage.
- Une porte laissée entrouverte trop longtemps créant des températures extrêmes lorsque l'air est entraîné précipitamment par la porte ouverte.
- Faire fonctionner l'appareil avec le couvercle de la chute à cendres mal installé.
- Si équipé; faire fonctionner votre appareil sans le bouchon de cendres bien en place.

**SOLUTIONS:**

- Ne brûlez pas de bois traité ou transformé, de charbon, de charbon de bois, de papier de couleur ou de carton.
- Faites attention de ne pas surchauffer l'appareil en laissant la porte ouverte trop longtemps après l'allumage initial. Un thermomètre sur le conduit de raccordement serait utile.
- Faites toujours fonctionner l'appareil avec le couvercle de chute à cendres bien installé.
- Si équipé; toujours faire fonctionner l'appareil avec le bouchon de cendres installée.

**EN CAS DE FEU DE CHEMINÉE:**

- Fermez la porte vitrée et la prise d'air de l'appareil.
- Ayez un plan d'évacuation bien compris de tous et désignez un lieu de rassemblement à l'extérieur. Préparez-vous à évacuer les lieux pour assurer la sécurité de chacun.
- Appelez votre service d'incendie. Ayez un extincteur sous la main. Contactez les autorités locales pour savoir quoi faire en cas de feu de cheminée.
- Après que le feu de cheminée est éteint et avant d'allumer un autre feu, nettoyez et inspectez la cheminée pour des signes de détérioration ou des fissures. Vérifiez également les matériaux combustibles autour de la cheminée et du toit.

**9.4 NETTOYAGE DE LA CHEMINÉE**

La cheminée et l'appareil doivent être inspectés et nettoyés s'il y a lieu au moins une fois l'an. En cas d'utilisation fréquente du chauffage au bois, le nettoyage de la cheminée doit être fait au besoin pour éviter des feux de cheminée. Les systèmes d'évacuation des appareils à combustion contrôlée peuvent nécessiter un nettoyage aussi fréquent qu'une fois par mois. Cependant, cette fréquence dépend des habitudes de chauffage de la personne qui utilise l'appareil. À titre d'exemple, il est possible d'obstruer la cheminée d'un appareil à combustible solide en quelques jours si l'appareil brûle lentement et que la cheminée est froide.

**NOTE : Les utilisateurs qui font toujours des feux chauds auront rarement d'importantes accumulations de créosote dans la cheminée.**

Lors du nettoyage de la cheminée, certains éléments doivent être considérés :

- Les outils appropriés doivent être utilisés, incluant une brosse spécialement conçue pour le ramonage de la cheminée.
- Les conduits de raccordement, le registre et la cheminée doivent être nettoyés.
- La chambre de combustion et les déflecteurs doivent être nettoyés au besoin.
- La cheminée doit être inspectée et réparée au besoin, de préférence par un ramoneur ou un maçon qualifié.

**9.5 SOIN DE VITRE**

**NE PAS NETTOYER LA VITRE LORSQU'ELLE EST CHAUDE! N'EMPLOYEZ PAS DE DÉTERGENTS ABRASIFS POUR NETTOYER LA VITRE.**

Si vous ne nettoyez pas les dépôts régulièrement, la vitre risque de rester marquée en permanence. Normalement, un feu très chaud maintiendra la vitre propre. Les raisons les plus fréquentes pour lesquelles la vitre se salit sont : trop peu de combustible est utilisé pour réchauffer suffisamment l'appareil, l'utilisation de bois vert ou humide, le contrôle de combustion est trop fermé, créant une insuffisance d'air pour réaliser une combustion complète.

S'il est nécessaire de nettoyer la vitre, utilisez un linge doux avec un nettoyeur sans abrasif. Nettoyez la vitre avec un nettoyeur recommandé après les dix premières heures de fonctionnement. Par la suite, nettoyez aussi souvent qu'il le faudra.

La vitre est très résistante, mais ne laissez pas de bois en combustion s'appuyer contre elle. Fermez toujours la porte doucement. **NE FORCEZ JAMAIS POUR LA FERMER!**

Ne pas faire fonctionner l'appareil avec la verre brisé, les fuites de gaz de combustion peut résulter.

Contactez votre détaillant local autorisé pour les instructions de nettoyage complètes.

Si la vitre devait fissurer pendant que le feu brûle, n'ouvrez pas la porte jusqu'à ce que le feu s'éteigne et n'utilisez pas l'appareil jusqu'à ce que la vitre ait été remplacée par une nouvelle, disponible chez votre détaillant autorisé. **N'UTILISEZ PAS DE MATÉRIAUX SUBSTITUTS.**



## 10.0 RECHANGES

### **AVERTISSEMENT**

**OMETTRE DE POSITIONNER LES PIÈCES CONFORMÉMENT À CE MANUEL OU D'UTILISER UNIQUEMENT DES PIÈCES SPÉCIFIQUEMENT APPROUVÉES POUR CET APPAREIL PEUT CAUSER DES DOMMAGES MATÉRIELS OU DES BLESSURES CORPORELLES.**

Contactez votre détaillant pour les questions concernant les prix et la disponibilité des pièces de rechange. Normalement, toutes les pièces peuvent être commandées chez votre détaillant autorisé.

**POUR UN REMPLACEMENT DE PIÈCE SOUS GARANTIE, UNE PHOTOCOPIE DE LA FACTURE ORIGINALE SERA REQUISE AFIN DE POUVOIR HONORER LA DEMANDE.**

Lorsque vous commandez des pièces, donnez toujours l'information suivante :

- Modèle et numéro de série de l'appareil
- Date d'installation de l'appareil
- Numéro de la pièce
- Description de la pièce
- Fini

**PIÈCES, NUMÉRO DES PIÈCES ET S'IL SOIT DISPONIBILITÉ PEUT CHANGER SANS PRÉAVIS.**

**PARTIES IDENTIFIÉES COMME GARNIE SERONT LIVRÉS DANS 2 À 5 JOURS POUR LA PLUPART DES DESTINATIONS DE LIVRAISON.**

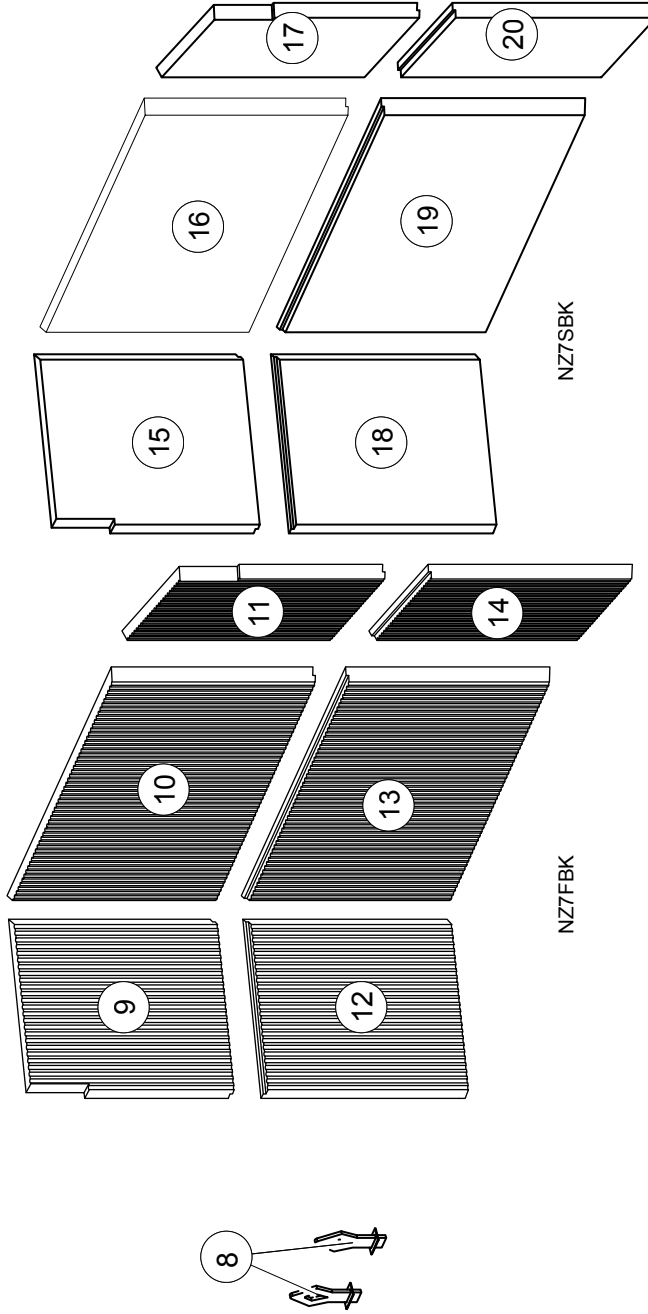
**PIÈCES NON IDENTIFIÉES QUE STOCKÉS SERONT LIVRÉS DANS UN DÉLAI DE 2 À 4 SEMAINES POUR LA PLUPART DES CAS.**

**PIÈCES IDENTIFIÉES COMME « SO » SONT COMMANDE SPÉCIALE ET PEUVENT PRENDRE JUSQU'À 90 JOURS POUR LA LIVRAISON.**





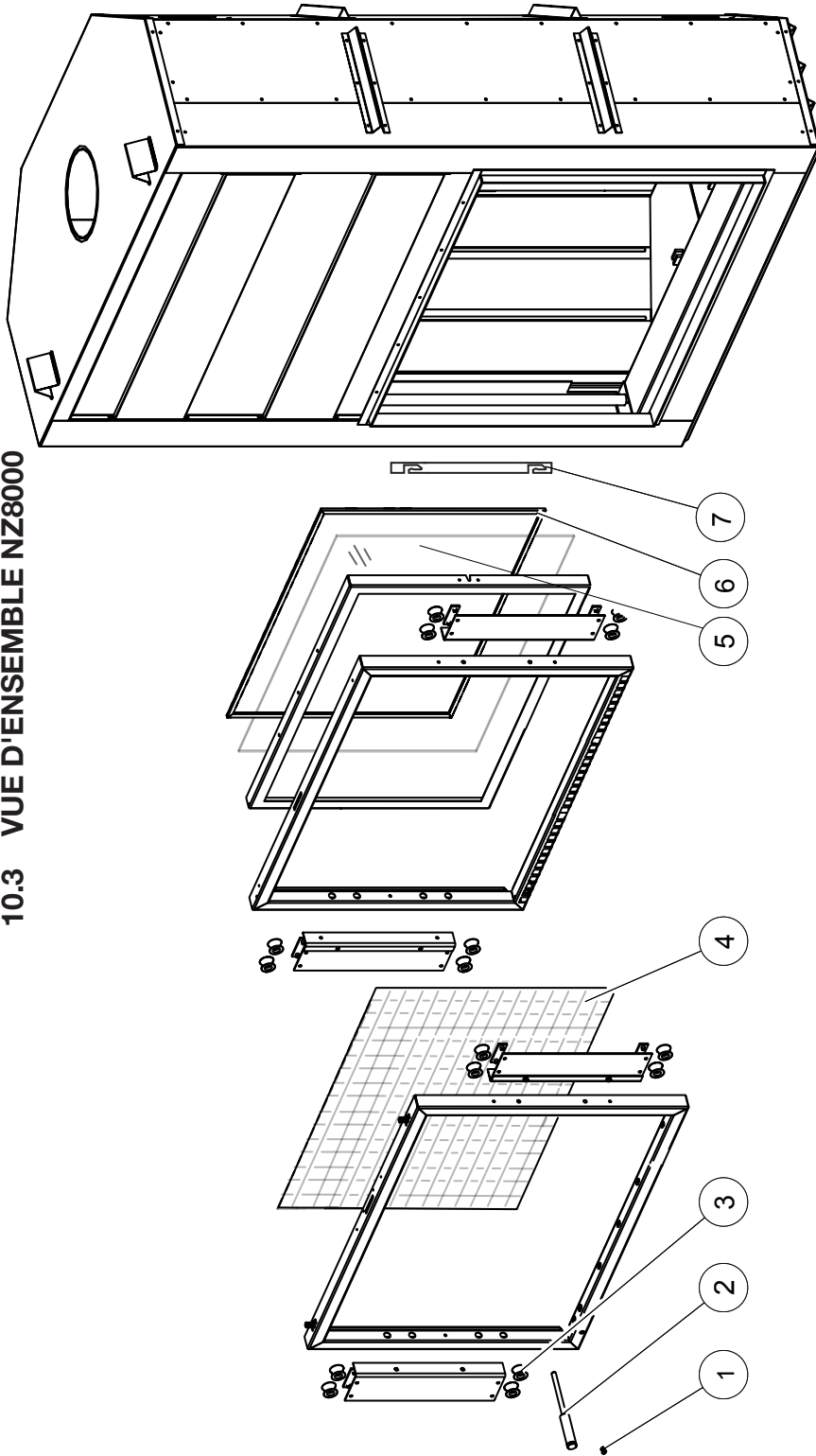
## 10.2 ACCESSOIRES NZ7000



Ces articles peut différer de celle illustré.

| Réf. | No. de pièce | Description   | En Stock |
|------|--------------|---|----------|
| 8    | W715-1010    | Andiron (X2)  |          |
| 9    | W090-0286    | Panneau de brique du côté gauche cannelé, dessus (NZ7FBK)     |          |
| 10   | W090-0279    | Panneau de brique centrale cannelé, dessus (NZ7FBK)           |          |
| 11   | W090-0285    | Panneau de brique du côté droit cannelé, dessus (NZ7FBK)      |          |
| 12   | W090-0288    | Panneau de brique du côté gauche cannelé, inférieure (NZ7FBK) |          |
| 13   | W090-0281    | Panneau de brique centrale cannelé, inférieure (NZ7FBK)       |          |
| 14   | W090-0282    | Panneau de brique du côté droit cannelé, inférieure (NZ7FBK)  |          |
| 15   | W090-0287    | Panneau de brique du côté gauche, dessus (NZ7SBK)             |          |
| 16   | W090-0280    | Panneau de brique centrale, dessus (NZ7SBK)                   |          |
| 17   | W090-0284    | Panneau de brique du côté droit, dessus (NZ7SBK)              |          |
| 18   | W090-0251    | Panneau de brique du côté gauche, inférieure (NZ7SBK)         |          |
| 19   | W090-0250    | Panneau de brique centrale, inférieure (NZ7SBK)               |          |
| 20   | W090-0283    | Panneau de brique du côté droit, inférieure (NZ7SBK)          |          |

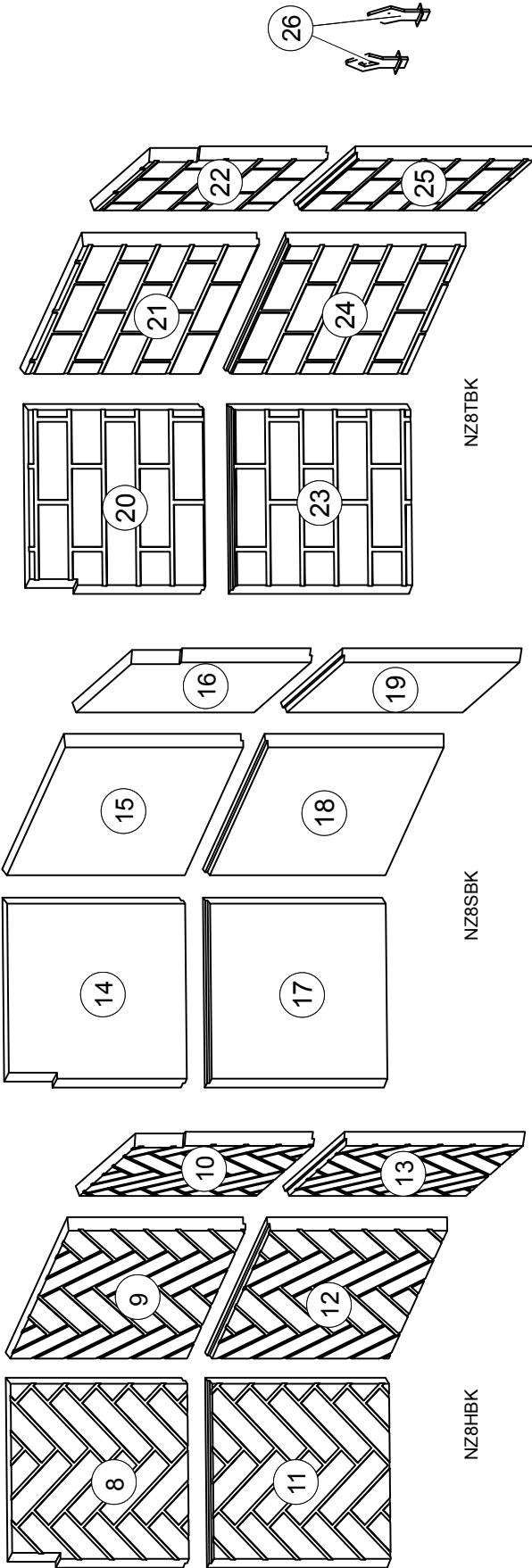
10.3 VUE D'ENSEMBLE NZ8000



Ces articles peut différer de celle illustré.

| Réf. | No. de pièce | Description                                  | En Stock |
|------|--------------|--|----------|
| 1    | W385-0334    | Logo Napoléon                                | Oui      |
| 2    | W325-0086    | Poignée                                      | Oui      |
| 3    | W560-0001    | Rouleau de poulie (X16)                      |          |
| 4    | W565-0182    | L'écran                                      |          |
| 5    | W300-0191    | Porte vitrée (céramique 5mm) 40.857"x19.250" |          |
| 6    | W562-0062    | Joint d'étanchéité de la porte               | Oui      |
| 7    | W740-0006    | Ajustement de la porte                       |          |

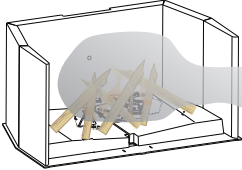
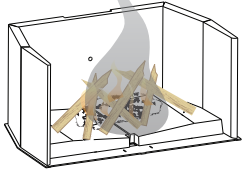
10.4 ACCESSOIRES NZ8000



Ces articles peut différer de celle illustré.

| Réf. | No. de pièce | Description  | En Stock |
|------|--------------|--|----------|
| 8    | W090-0264    | Brique du côté gauche Herringbone, dessus (NZ8HBK)       |          |
| 9    | W090-0260    | Brique du côté centrale Herringbone, dessus (NZ8HBK)     |          |
| 10   | W090-0262    | Brique du côté droite Herringbone, dessus (NZ8HBK)       |          |
| 11   | W090-0265    | Brique du côté gauche Herringbone, inférieure (NZ8HBK)   |          |
| 12   | W090-0261    | Brique du côté centrale Herringbone, inférieure (NZ8HBK) |          |
| 13   | W090-0263    | Brique du côté droite Herringbone, inférieure (NZ8HBK)   |          |
| 14   | W090-0274    | Panneau de brique du côté gauche, dessus (NZ8SBK)        |          |
| 15   | W090-0275    | Panneau de brique centrale, dessus (NZ8SBK)              |          |
| 16   | W090-0272    | Panneau de brique du côté droit, dessus (NZ8SBK)         |          |
| 17   | W090-0240    | Panneau de brique du côté gauche, inférieure (NZ8SBK)    |          |
| 18   | W090-0239    | Panneau de brique centrale, inférieure (NZ8SBK)          |          |
| 19   | W090-0273    | Panneau de brique du côté droit, inférieure (NZ8SBK)     |          |
| 20   | W090-0270    | Panneau de brique du côté gauche, dessus (NZ8TBK)        |          |
| 21   | W090-0266    | Panneau de brique centrale, dessus (NZ8TBK)              |          |
| 22   | W090-0268    | Panneau de brique du côté droit, dessus (NZ8TBK)         |          |
| 23   | W090-0271    | Panneau de brique du côté gauche, inférieure (NZ8TBK)    |          |
| 24   | W090-0267    | Panneau de brique centrale, inférieure (NZ8TBK)          |          |
| 25   | W090-0269    | Panneau de brique du côté droit, inférieure (NZ8TBK)     |          |
| 26   | W715-1010    | Andiron (X2)   |          |

## 11.0 GUIDE DE DÉPANNAGE

| SYMPTÔME   | PROBLÈME  | SOLUTIONS   |
|--|---|---|
| De la fumée se répand dans la pièce durant l'allumage.   | Fermé registre d'air  | - Registre d'air ouvert   |
|  | Blocage d'air froid dans la cheminée.   | - Brûlez un morceau de papier journal pour créer un tirage.   |
|  | Les portes sont fermées.  | - Si le feu ne reçoit pas suffisamment d'air, assurez-vous d'abord que le levier du contrôle de combustion est ouvert. Si plus d'air est nécessaire, ouvrez les portes légèrement, l'équivalent d'une petite fente seulement.   |
| De la fumée se répand dans la pièce lors du rechargement<br><b>NOTE:</b> Ouvrir les portes lentement pour permettre des pressions à l'équilibre avant d'ouvrir les portes complètement.      | Fermé registre d'air  | - Nettoyage cheminée  |
|  | Tirage insuffisant.   | - La hauteur de la cheminée et les conditions extérieures peuvent nuire au tirage. Dans ces cas, il est possible qu'une petite quantité de fumée puisse refouler dans la maison. Augmenter la hauteur de la cheminée ou ajouter un chapeau à tirage induit peut aider.<br>- Nettoyez la cheminée.                   |
| L'appareil fume.<br><br> | Fermé registre d'air  | - Registre d'air ouvert   |
|  | Cheminée froide   | - Graver un morceau de papier pour établir un projet, alimenter nécessaires pour établir une flamme chaude.   |
|  | Offre insuffisante d'air de combustion  | - Hauteur de la cheminée et en dehors de conditions peuvent nuire au tirage. Dans ces cas, une petite quantité de fumée peut entrer dans la maison. Ajout de plus de tuyau ou un chapeau à tirage induit peut aider.  |
|  | Le registre d'air extérieur ouvert.   | - Fermer amortisseur.   |
|  | Le passage de fumée est bloqué dans l'appareil ou de la cheminée.   | - Vérifiez cheminée pour blocage et claire si nécessaire.   |
|  | Le débit de fumée entravée par une trop longue d'un tuyau horizontal ou trop de coudes.   | - Reporter à la section «typique CHEMINÉE D'INSTALLATION» pour les coudes de cheminée propres à.  |
|  | Un tirage faible causé par une cheminée non hermétique, une cheminée extérieure froide, trop court d'une cheminée ou une cheminée trop près d'un arbre ou un toit plus élevé. | - Hauteur de la cheminée et en dehors de conditions peuvent nuire au tirage. Dans ces cas, une petite quantité de fumée peut entrer dans la maison. Ajout de plus de tuyau ou un chapeau à tirage induit peut aider. Reporter à la section «typique CHEMINÉE D'INSTALLATION» pour les coudes de cheminée propres à. |

## 12.0 GARANTIE

Les produits NAPOLÉON sont fabriqués conformément aux normes strictes du Certificat d'Assurance de Qualité ISO 9001 : 2015 mondialement reconnu.

Les produits NAPOLÉON sont conçus avec des composants et des matériaux de qualité supérieure, assemblés par des artisans qualifiés qui sont fiers de leur travail. Une fois assemblé, chaque appareil est soigneusement inspecté par un technicien qualifié avant d'être emballé pour garantir que vous, le client, recevez le produit de qualité dont vous vous attendez de NAPOLÉON.

### GARANTIE À VIE LIMITÉE DU PRÉSIDENT DES APPAREILS À BOIS NAPOLÉON

Les matériaux suivants et la fabrication de votre nouveau poêle à bois NAPOLÉON sont garantis contre les défauts tant que vous en êtes le propriétaire. Pour les appareils aux granules ceci couvre: le réservoir à granules, le caisson extérieur, la vitre en céramique (cassure thermique seulement) et le tiroir à cendres.\* Pour les appareils à bois ceci couvre: la chambre de combustion, l'échangeur de chaleur, la vitre en céramique (cassure thermique seulement), les pièces plaquées or contre le ternissement, les composants en porcelaine émaillée, les moules d'extrusion en aluminium, déflecteurs vortex, le tiroir à cendres et les pièces moulées en fonte.\* Pour l'appareil aux granules la chambre de combustion et l'échangeur de chaleur sont garantis contre les défauts pour une période de 5ans. Pour les appareils à bois équipée avec une système de guillotine du porte/écran il sera garanti contre les défauts pour une période de 5ans. Les composants électriques (110V) et les pièces soumises à l'usure sont couverts et NAPOLÉON fournira gratuitement les pièces de rechange durant la première année de la garantie limitée. Ceci couvre: la soufflerie, l'interrupteur thermique, les interrupteurs, l'installation électrique, les briques réfractaires, l'attache du déflecteur en acier inoxydable, tuyaux d'air secondaires et les joints d'étanchéité.\* Les coûts de main-d'oeuvre relatifs aux réparations garanties sont couverts gratuitement durant la première année, avec l'exception du système de guillotine du porte/écran qui sera couverts gratuitement pour une période de 3 ans. Cependant, les travaux de réparation nécessitent l'approbation préalable d'un représentant autorisé de la compagnie. Les coûts de main-d'oeuvre à la charge de NAPOLÉON sont basés sur un programme de tarifs prédéterminés et tout travail de réparation doit être accompli par l'entremise d'un détaillant autorisé NAPOLÉON. Les pièces telles que les briques réfractaires et les déflecteurs devraient être retirées occasionnellement par l'opérateur dans le cadre d'un entretien normal. Par conséquent, les coûts de main-d'oeuvre associés au remplacement de l'une de ces pièces ne sont pas couverts par la garantie.

\* La fabrication de chaque modèle varie. La garantie s'applique uniquement aux composants disponibles avec votre appareil.

### CONDITIONS ET LIMITATIONS

NAPOLÉON garantit ses produits contre les défauts de fabrication à l'acheteur d'origine seulement. L'enregistrement de la garantie n'est pas nécessaire. Fournissez simplement une preuve d'achat ainsi que le modèle et le numéro de série afin d'effectuer une réclamation de garantie. L'achat doit avoir été fait par l'entremise d'un détaillant NAPOLÉON autorisé et sous réserve des conditions et limitations suivantes:

La couverture de la garantie débute à partir de la date d'installation originale.

Cette garantie du fabricant n'est pas transférable et ne peut être prolongée ou étendue par aucun de nos représentants quelle qu'en soit la raison.

L'appareil à bois doit être installé par un installateur autorisé qualifié, une agence de service ou fournisseur. L'installation doit être faite conformément aux instructions d'installation incluses avec le produit et à tous les codes d'incendie et de construction locaux et nationaux.

Cette garantie limitée ne couvre pas les dommages causés par un mauvais usage, un manque d'entretien, un accident, des altérations, des abus ou de la négligence, et l'installation de pièces d'autres fabricants annulera cette garantie.

Cette garantie limitée ne couvre pas les dommages causés par un mauvais usage, un manque d'entretien, un accident, des altérations, des abus ou de la négligence, et l'installation de pièces d'autres fabricants annulera cette garantie.

Faire fonctionner l'appareil au réglage maximal pendant des périodes prolongées constitue de la négligence. L'installation de pièces d'autres fabricants annulera cette garantie.

Cette garantie limitée ne couvre pas non plus les égratignures, le bossellement, la corrosion ou la décoloration causée par une chaleur excessive, des produits d'entretien chimiques et abrasifs ou l'écaillage des pièces en porcelaine émaillée, le bris de tout composant de ventilation utilisé dans l'installation de l'appareil.

Au cours de la première année seulement, cette garantie s'étend à la réparation ou au remplacement des pièces garanties dont les matériaux ou la fabrication sont défectueux sous condition que le produit ait été utilisé conformément aux instructions de fonctionnement et dans des conditions normales.

Après la première année, concernant cette Garantie à Vie Limitée du Président, NAPOLÉON peut, à sa discrétion, se libérer entièrement de toutes obligations en ce qui concerne cette garantie en remboursant à l'acheteur d'origine le prix de gros de toute pièce garantie qui est défectueuse. Après la première année, NAPOLÉON ne sera pas responsable de l'installation, de la main-d'oeuvre ou autres coûts ou dépenses relatives à la réinstallation d'une pièce garantie et de telles dépenses ne sont pas couvertes par cette garantie.

Nonobstant toutes les dispositions contenues dans cette Garantie à Vie Limitée du Président, la responsabilité de NAPOLÉON sous cette garantie est définie comme ci-dessus et elle ne s'étendra à aucun dommage accidentel consécutif ou indirect.

Cette garantie définit l'obligation et la responsabilité de NAPOLÉON en ce qui concerne l'appareil à bois NAPOLÉON. Toute autre garantie énoncée ou implicite en ce qui concerne ce produit, ses composants ou accessoires est exclue.

NAPOLÉON n'autorise aucun tiers à assumer en son nom toute autre responsabilité concernant la vente de ce produit.

NAPOLÉON ne sera pas responsable d'une surchauffe, des refoulements, des déversements causés par des conditions environnementales telles que des toits, des bâtiments, la proximité d'arbres, de collines, de montagnes, une ventilation ou des événements inadéquats, des configurations d'évacuation excessives, un apport d'air insuffisant ou des pressions négatives qui peuvent ou non être causés par des systèmes mécaniques tels que les ventilateurs d'évacuation, les fournaies, les sèche-linge, etc.

Tout dommage causé à l'appareil, à la chambre de combustion, à l'échangeur de chaleur, aux garnitures plaquées ou autres composants par l'eau, les dommages causés par les intempéries, de longues périodes d'humidité, la condensation, des produits chimiques ou produits d'entretien nuisibles ne seront pas la responsabilité de NAPOLÉON.

Le nettoyage régulier de la fine cendre générée durant le fonctionnement de cet appareil est nécessaire au bon entretien de votre appareil aux granules. Tout dommage aux composants qui est attribuable à un manque d'entretien ne sera pas couvert par cette garantie.

NAPOLÉON se réserve le droit de demander à son représentant d'inspecter tout produit ou pièce avant d'honorer toute réclamation.

Toutes les pièces remplacées en vertu de la politique de Garantie à vie limitée du Président ne peuvent faire l'objet de d'une seule réclamation.

Durant les dix premières années, NAPOLÉON remplacera ou réparera les pièces défectueuses qui sont couvertes par la garantie à vie limitée à sa discrétion gratuitement. Après les dix premières années, NAPOLÉON fournira les pièces de rechange à 50 % du prix de détail courant.

Toutes les pièces remplacées au titre de la garantie seront couvertes pour une période de 90 jours à partir de leur date d'installation.

Le fabricant peut exiger que les pièces défectueuses ou les produits soient retournés ou que des photos numériques soient fournies pour valider la réclamation. Les produits retournés doivent être expédiés port payé au fabricant pour une inspection en usine. Si un produit est déclaré défectueux, le fabricant le réparera ou le remplacera.

Avant d'expédier votre appareil ou les pièces défectueuses, votre détaillant doit obtenir un numéro d'autorisation. Toute marchandise expédiée à notre usine sans autorisation sera refusée et retournée à l'expéditeur.

Les coûts d'expédition ne sont pas couverts par cette garantie.

Des frais de service supplémentaires peuvent être appliqués si vous cherchez à obtenir des services au titre de la garantie auprès d'un détaillant.

Les indemnités de main-d'oeuvre au titre de la garantie s'appliquent uniquement pour le remplacement d'une pièce garantie. Les frais de déplacement, de tests de diagnostic, d'expédition et autres frais afférents ne sont pas couverts par cette garantie.

TOUTES LES SPÉCIFICATIONS ET LES CONCEPTIONS SONT SUJETTES À MODIFICATIONS SANS PRÉAVIS EN RAISON DES AMÉLIORATIONS CONSTANTES APPORTÉES AU PRODUIT. NAPOLÉON EST UNE MARQUE DE COMMERCE DÉPOSÉE DE WOLF STEEL LTÉE.



# NAPOLÉON CÉLÈBRE PLUS DE 40 ANS D'EXISTENCE CONSACRÉS À LA CONCEPTION DE PRODUITS DE CONFORT



7200, Route Transcanadienne, Montréal, Québec H4T 1A3  
24 Napoleon Road, Barrie, Ontario, Canada L4M 0G8  
214 Bayview Drive, Barrie, Ontario, Canada L4N 4Y8  
103 Miller Drive, Crittenden, Kentucky, USA 41030

Téléphone: 1-866-820-8686  
[napoleonproducts.com](http://napoleonproducts.com)