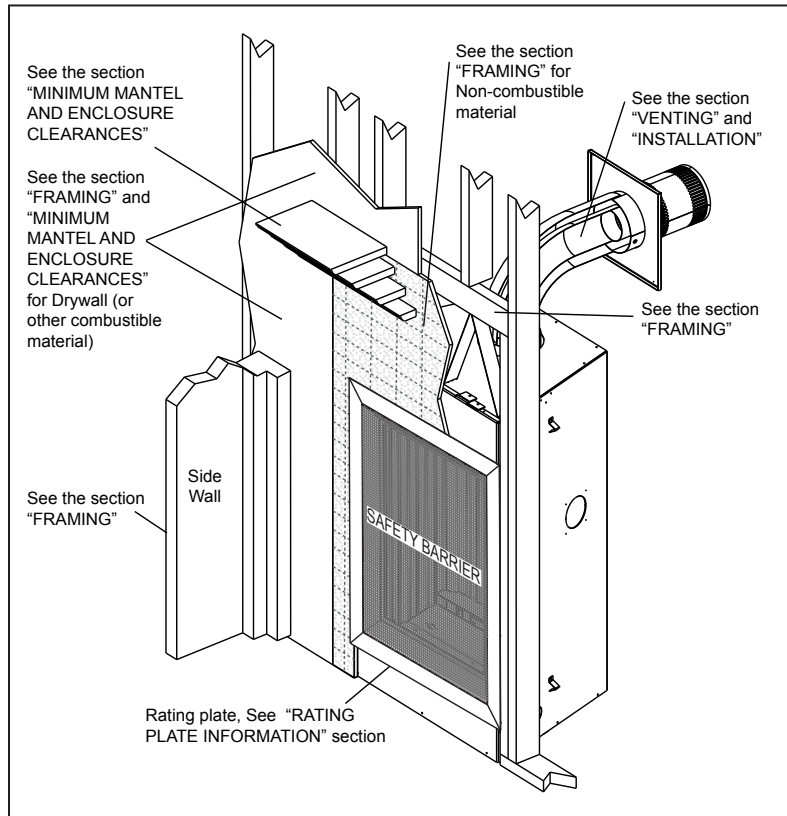


# TUREEN™ DIRECT VENT GAS FIREPLACE

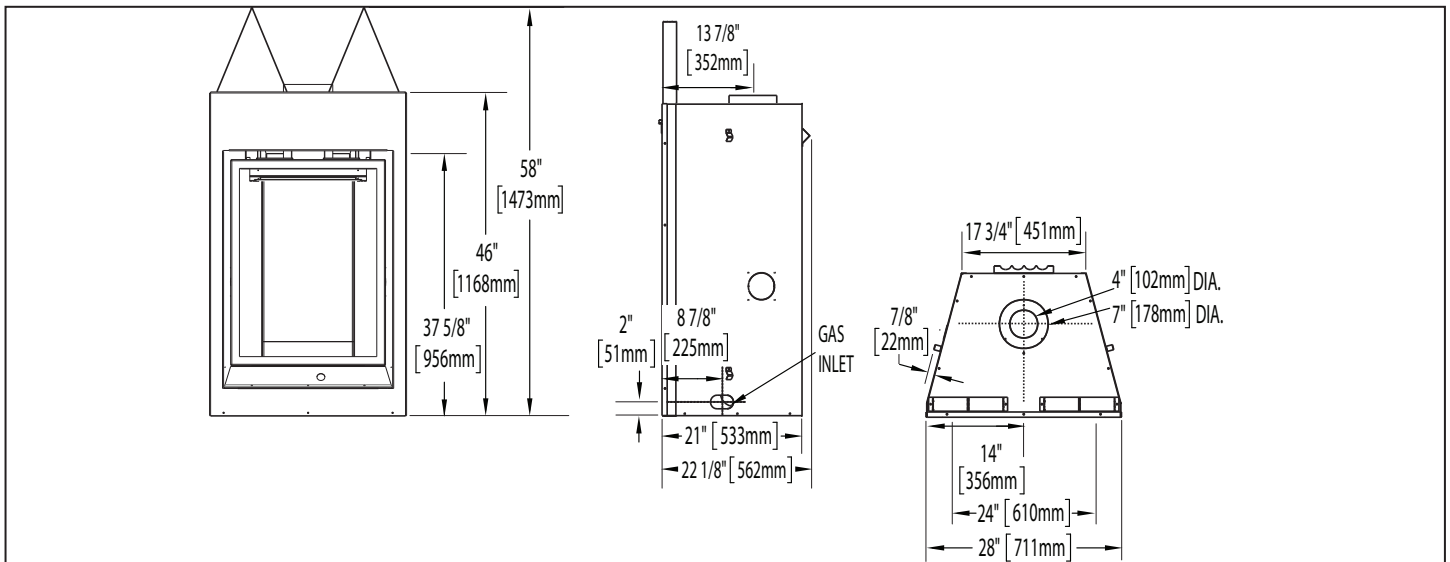
## Specifications

Model	BTU	Width		Height		Depth		Glass
		Actual	Framing	Actual	Framing	Actual	Framing	
GD82T-TE	26,000	28	29	58	58 1/4	22 1/8	22 1/2	29 X 22

## Overview



## Dimensions



# TUREEN™ DIRECT VENT GAS FIREPLACE

## Framing & Clearances

### Minimum Fireplace Clearances

Maintain these minimum clearances to combustibles from appliance and vent surfaces

**Non-combustible appliance finishing:**

- 4" (102mm) from the sides of the appliance opening
- 22 3/8" (568mm) to the top of the appliance opening

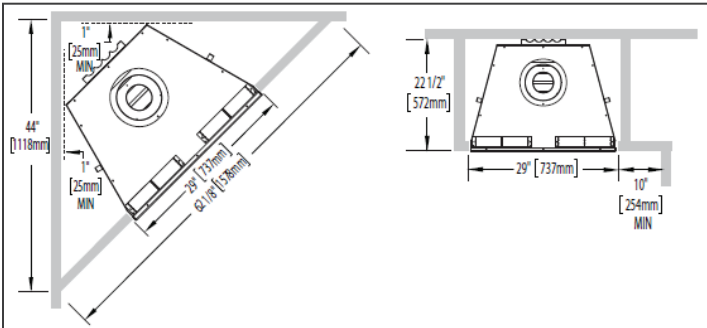
**Combustible appliance finishing:**

- 0" (0mm) to rear
- 2" (51mm) all around the vent pipe\*
- 22 1/2" (572mm) recessed depth
- 64" (1626mm) from the bottom of the appliance to the ceiling
- 72" (1829mm) from bottom of appliance to the enclosure top

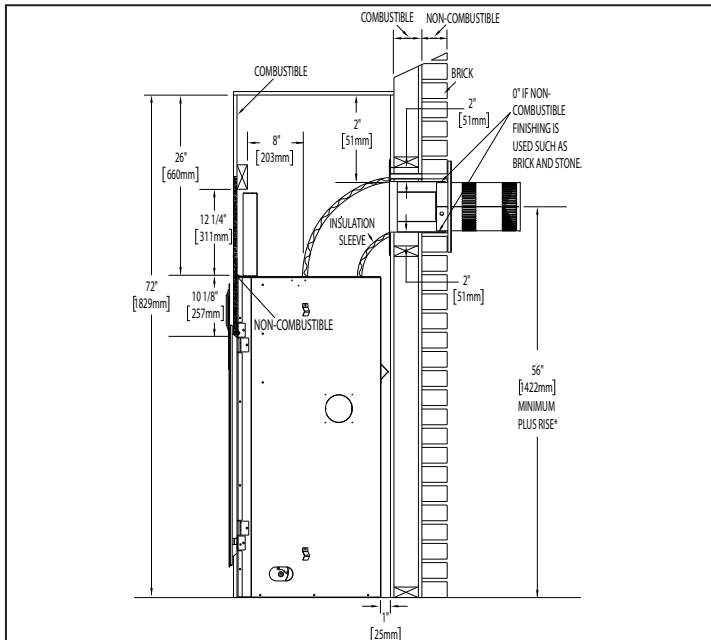
\***HORIZONTAL VENT SECTIONS:** A minimum clearance of 2" (51mm) all around the vent pipe on all horizontal runs to combustibles is required. Use firestop spacer W010-1799 (supplied).

\***VERTICAL VENT SECTIONS:** A minimum of 1" (25mm) all around the vent pipe on all vertical runs to combustibles is required except for clearances in appliance enclosures. Use firestop spacer W500-0096 (not supplied).

### Appliance Location

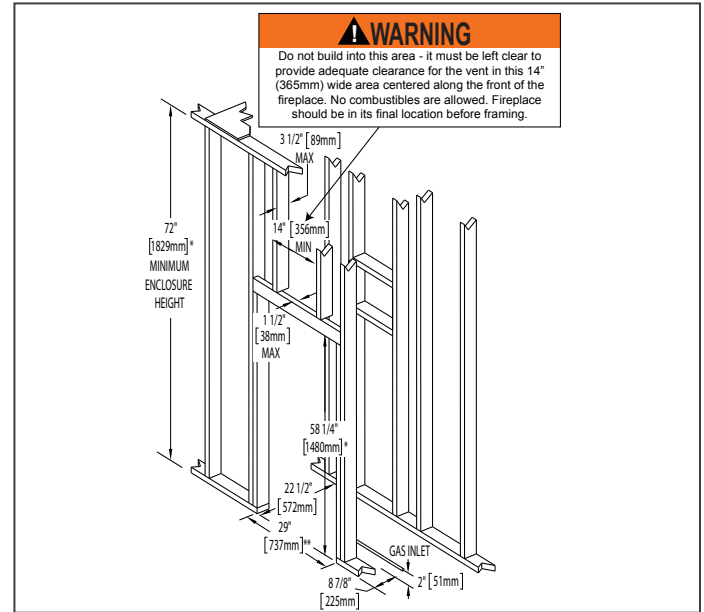


### Wall Penetration

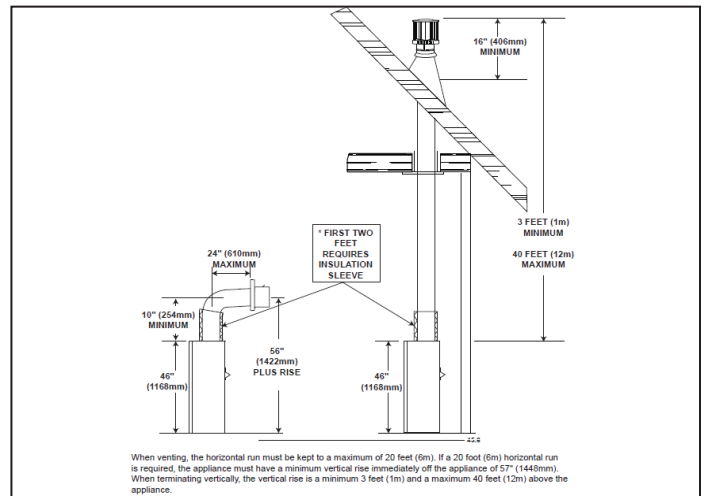


Product information provided is not complete and is subject to change without notice. Please consult the installation manual for the most up to date installation information.

### Framing Dimensions



### Minimum Vertical Vent Rise



### Combustible Mantel Clearances

