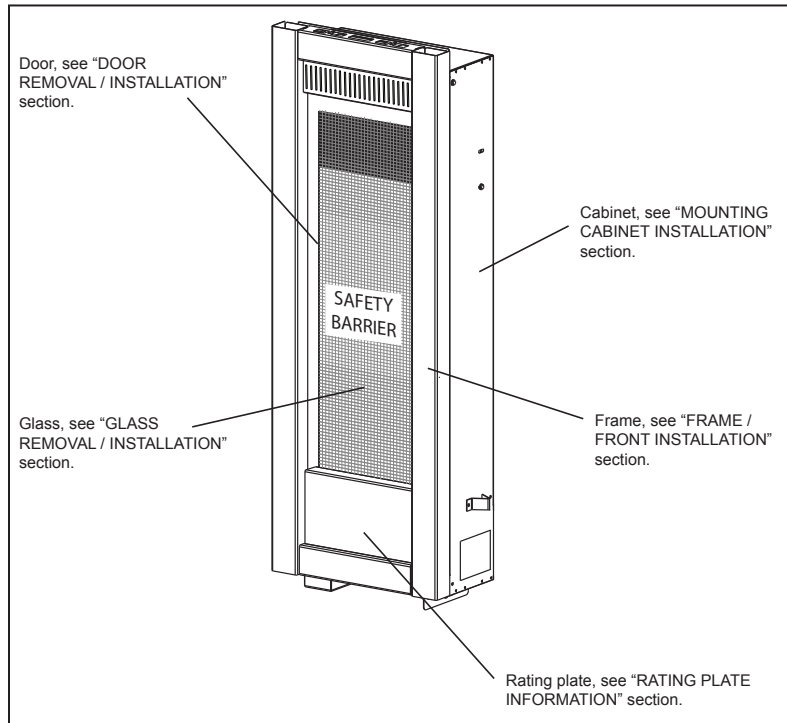


TORCH® DIRECT VENT GAS FIREPLACE

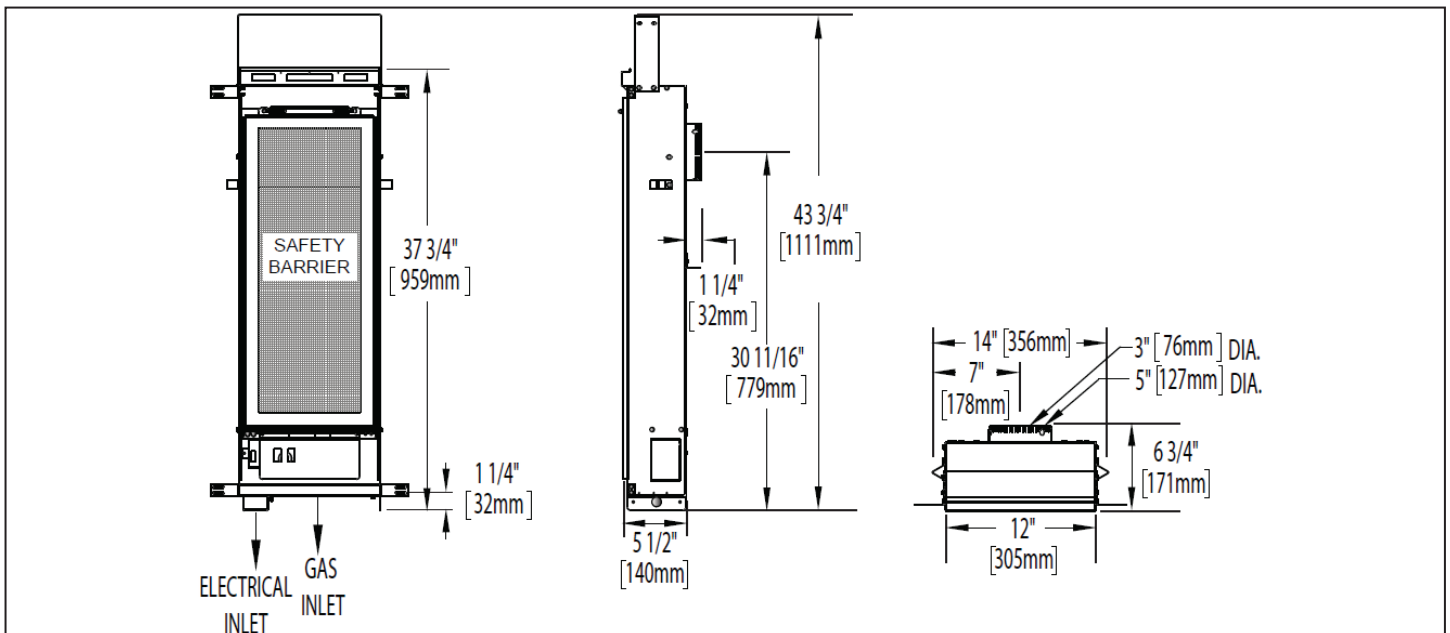
Specifications

Model	BTU	Width		Height		Depth		Glass
		Actual	Framing	Actual	Framing	Actual	Framing	
GT8	6,000	12	14 1/2	43 3/4	44 1/4	6 3/4	7	26 X 10 1/2

Overview



Dimensions



TORCH® DIRECT VENT GAS FIREPLACE

Framing & Clearances

Minimum Fireplace Clearances

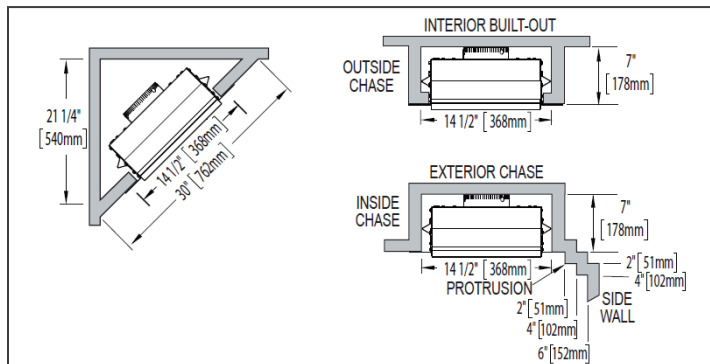
Minimum clearance to combustible construction from appliance and vent surfaces:

- Appliance framing:**
- 6" (152mm) to top
 - 0" to stand-offs (Rear and sides)
- Vent pipe*:**
- 2" (51mm) top
 - 1" (25mm) sides and bottom
- Recessed depth:**
- 7" (178mm)

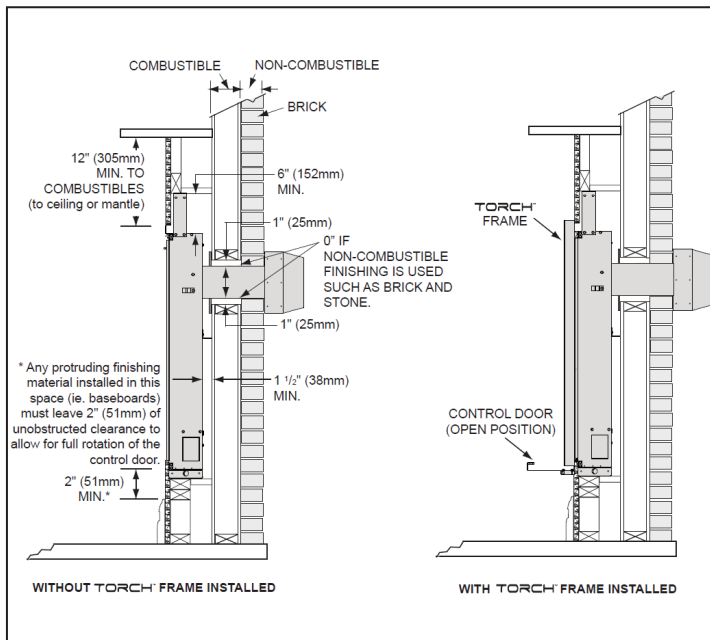
* **HORIZONTAL VENT SECTIONS:** A minimum clearance of 1" (25mm) at the bottom and sides and 2" (51mm) at the top of the vent pipe in all horizontal runs to combustibles is required. Use firestop spacer W010-1961 (supplied).

* **VERTICAL VENT SECTIONS:** A minimum of 1" (25mm) all around the vent pipe on all vertical runs to combustibles is required. Use firestop spacer W500-0358 (not supplied).

Appliance Location

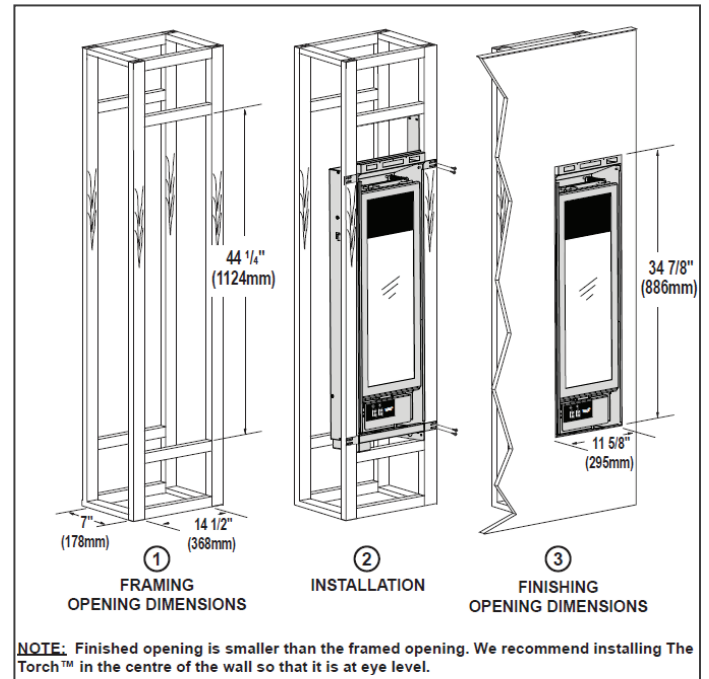


Wall Penetration



Product information provided is not complete and is subject to change without notice. Please consult the installation manual for the most up to date installation information.

Framing Dimensions



NOTE: Finished opening is smaller than the framed opening. We recommend installing The Torch™ in the centre of the wall so that it is at eye level.

Horizontal Termination

	MIN	MAX
Allowable 3/5 vent connections (excluding appliance and air terminal connections)	N/A	1
Rise per foot (recommended)	1/4" (6.4mm)	N/A
Rise per foot (allowable)	0"	N/A
Horizontal run (if vent run does not include vertical rise)	4" (102mm)	24" (610mm)
Horizontal run (if vent run includes vertical rise)	4" (102mm)	7' (2m)
Vertical run (* Immediately off the appliance, if 7' (2m) maximum horizontal run is required)	18" (457mm)*	7' (2m)

Any offsets other than 2-90° elbows used in the vent run - must be deducted from the maximum horizontal vent run based upon the offset value.

Vertical Termination

	MIN	MAX
Allowable 3/5 vent connections (excluding appliance and air terminal connections)	N/A	2
Rise per foot (recommended)	1/4" (6.3mm)	N/A
Rise per foot (allowable)	0"	N/A
Vertical run (when not venting horizontally)	24" (610mm)	19 1/2' (6m)
Horizontal run	4" (102mm)	5' (1.5m)

Any offsets other than 1-90° elbows used in the vent run - must be deducted from the maximum vertical vent run based upon the offset value.