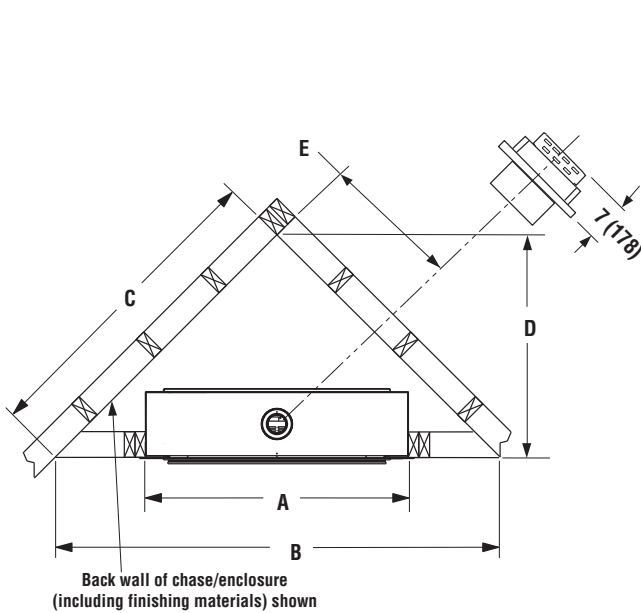


DRL3042 AND DRL3054 SERIES

DIRECT-VENT FIREPLACES

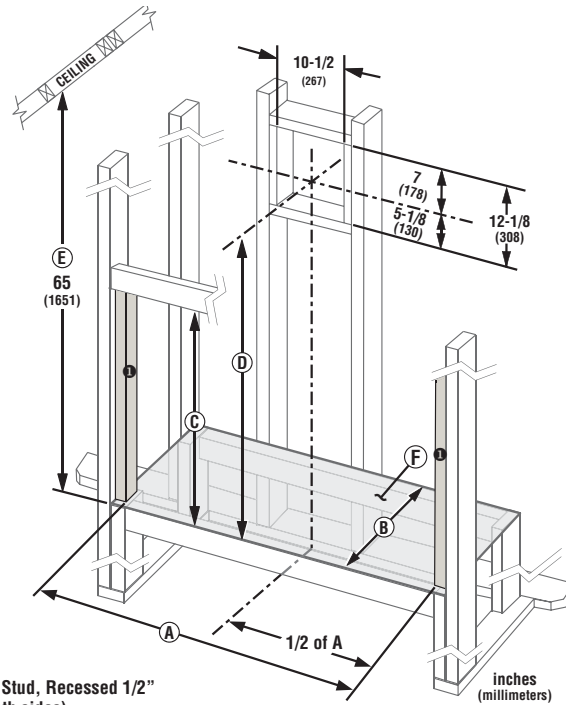
Framing Dimensions



Inches (millimeters)

Models	A	B	C	D	E
42" Models	54-3/4" 1366 mm	94-3/4" 2407 mm	67" 1702 mm	47-3/8" 1203 mm	25-1/8" 638 mm
54" Models	65-3/4" 1670 mm	106-3/4" 2711 mm	75-1/2" 1917 mm	53-3/8" 1356 mm	29-3/8" 745 mm

Diagrams, illustrations and photographs are not to scale. Consult installation instructions. Product designs, materials, dimensions, specifications, colors, and prices are subject to change or discontinuance without notice.



1 Jack Stud, Recessed 1/2" Back (both sides)

E. Minimum height from appliance base front to ceiling
F. Mounting platform

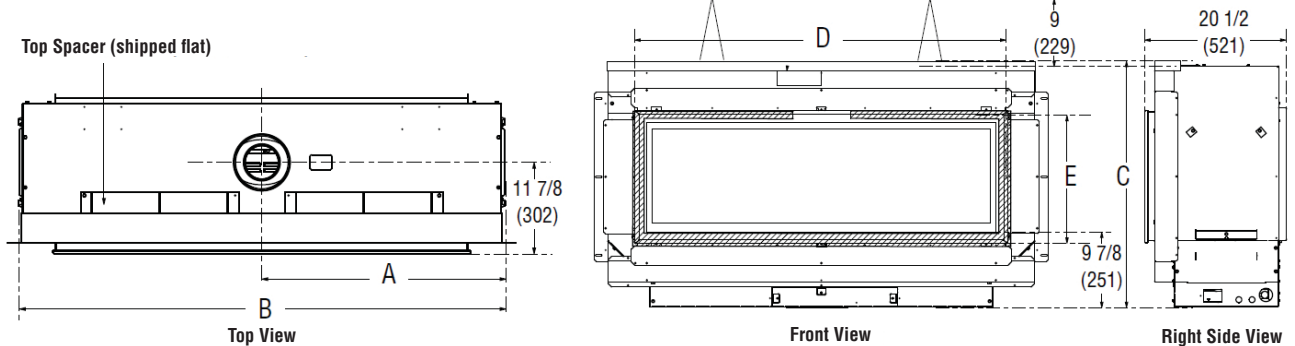
Model	A	B	C	D
42" Models	54* (1372)*	20-3/4 (527)	37 (940)	44-3/8" 1127 mm
54" Models	66* (1677)*	20-3/4 (527)	40-7/8 (1039)	48-1/4" 1226 mm

*with 1/2" recess for flush framing

Fireplace Dimensions

Models	A	B	C	D	E
42" Models	26-7/8" 683 mm	53-3/4" 1366 mm	32-1/2" 826 mm	44-1/8" 1121 mm	15-3/4" 398 mm
54" Models	32-1/2" 826 mm	65-3/4" 1670 mm	36-3/8" 924 mm	56-1/8" 1426 mm	19-5/8" 498 mm

Inches (millimeters)



DRL3042 AND DRL3054 SERIES

Product Info

Cat. No.	Model	Weight	Cu. Ft.
F2242	DRL3042TEN	226 lb.	38.9
F2244	DRL3042TEP	226 lb.	38.9
F2246	DRL3054TEN	311 lb.	48.1
F2248	DRL3054TEP	311 lb.	48.1

Listing

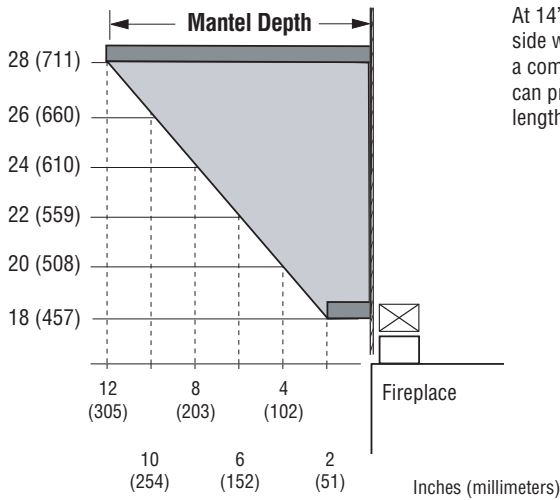


Report No. F14-108

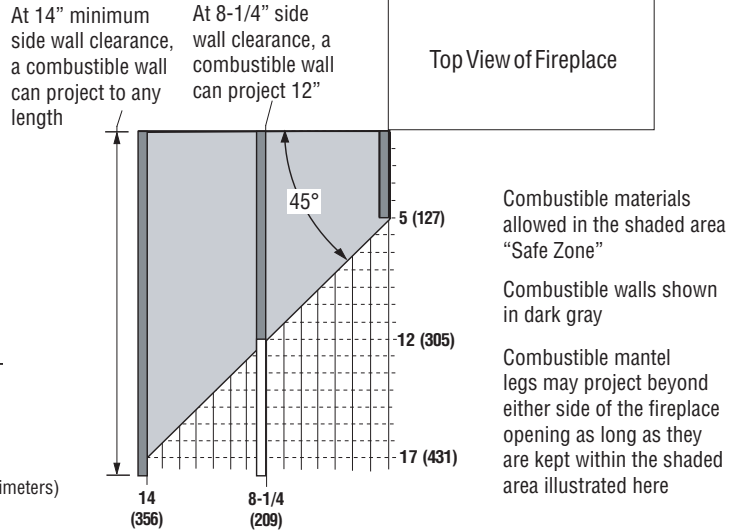
Listed by PFS Corporation to - ANSI Z21.88 (in Canada, CSA-2.33), and CAN/CGA-2.17-M91 in both USA and Canada, as a vented gas fireplace heaters.

Clearances

Mantel Clearance



Side Wall Clearance

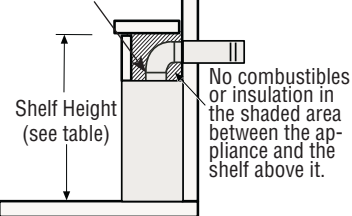


Model	Top Vent with one 90° Elbow *	
	Secure Vent®	Secure Flex® (flex elbow)
42" *	51-1/4" (1299 mm)**	53" (1345 mm)**
54" *	55" (1400 mm)**	56-3/4" (1441 mm)**

* 6" straight vent section required before 90° elbow

** Includes 3" clearance to combustibles required above vent components

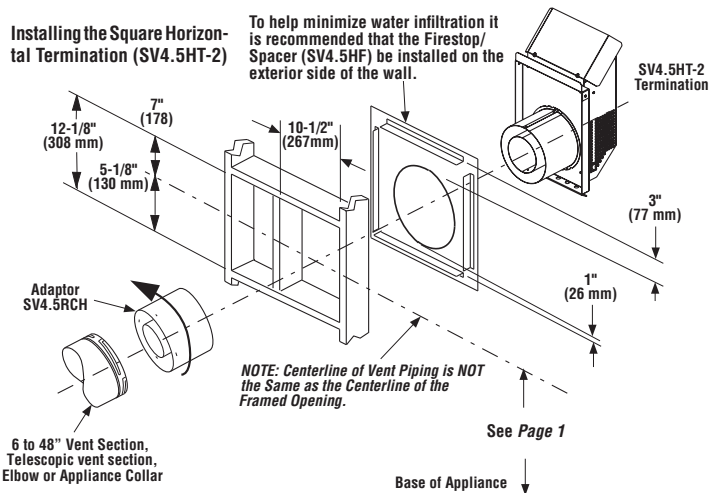
6" Vertical section is required before 90° elbow*



Horizontal Termination

Installing the Square Horizontal Termination (SV4.5HT-2)

To help minimize water infiltration it is recommended that the Firestop/Spacer (SV4.5HF) be installed on the exterior side of the wall.

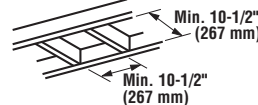


Vertical Termination

Vertical Termination Cap SV4.5CGV-1 (rated for high winds and freezing conditions)

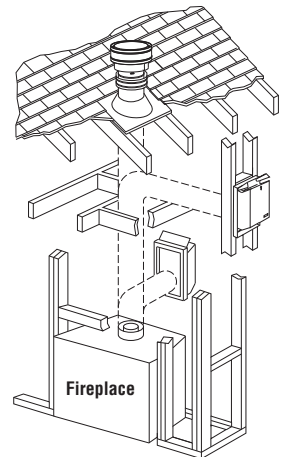
* Ceiling Firestop/Spacer (SV4.5VF)

Roof Framing



Uses 4.5" / 7.5" Secure Vent® Rigid and Secure Flex® Direct-Vent Components

Typical Installations



Venting

NOTE: DIAGRAMS & ILLUSTRATIONS ARE NOT TO SCALE.

Printed in U.S.A. © 2016 Innovative Hearth Products
P/N 900632-01 REV. B 06/2017



Specifications and clearances are subject to change without notice. Refer to Installation Manual before installation of these appliances for updated dimensions and instructions.

Page 2 of 2